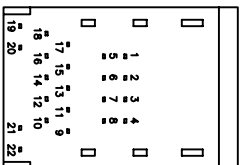
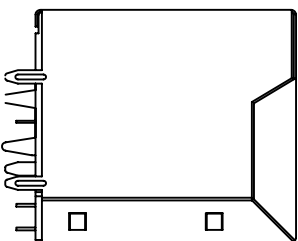
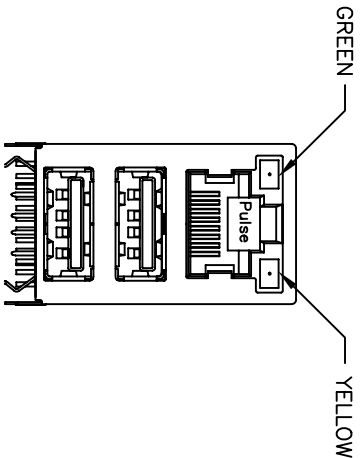
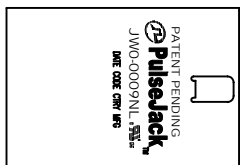


NOTES:

1. ROHS COMPLIANT
2. PLASTIC HOUSING: THERMOPLASTIC MATERIAL WITH FLAMMABILITY RATING UL 94V-0 OR BETTER.
3. CONTACTS PLATING:
FCC CONTACTS PLATING: 15 MICRONS GOLD PLATING.
USB CONTACTS PLATING: 30 MICRONS GOLD PLATING.
4. CONTACTS BASE MATERIAL: PHOSPHOR BRONZE
5. UNDER PLATING: 50u INCHES NICKEL
6. SOLDER TAIL PLATING : 150 UINCHES 100% TIN, MATTE FINISH.
7. METAL SHIELD: NICKEL PLATING ON COPPER ALLOY.
8. JACK CAVITY CONFORMS TO FCC PART 68 SUBPART.
9. PCB PLATING: HASL
10. STORAGE TEMPERATURE: -20°C TO +125°C
11. COMPLIANCE TO J-STD:
 - A. J-STD-002: SOLDERABILITY AT 245°C DIP AND LOOK TEST
 - B. J-STD-020: LEVEL 1, NO MOISTURE SENSITIVE
 - C. J-STD-075: W2, 270°C MAXIMUM THROUGH WAVE SOLDER



BOTTOM VIEW

FINAL OUTLINE

© Copyright, 2014, Pulse Electronics Corp. All rights reserved. Pulse confidential & proprietary. (05/13/14)

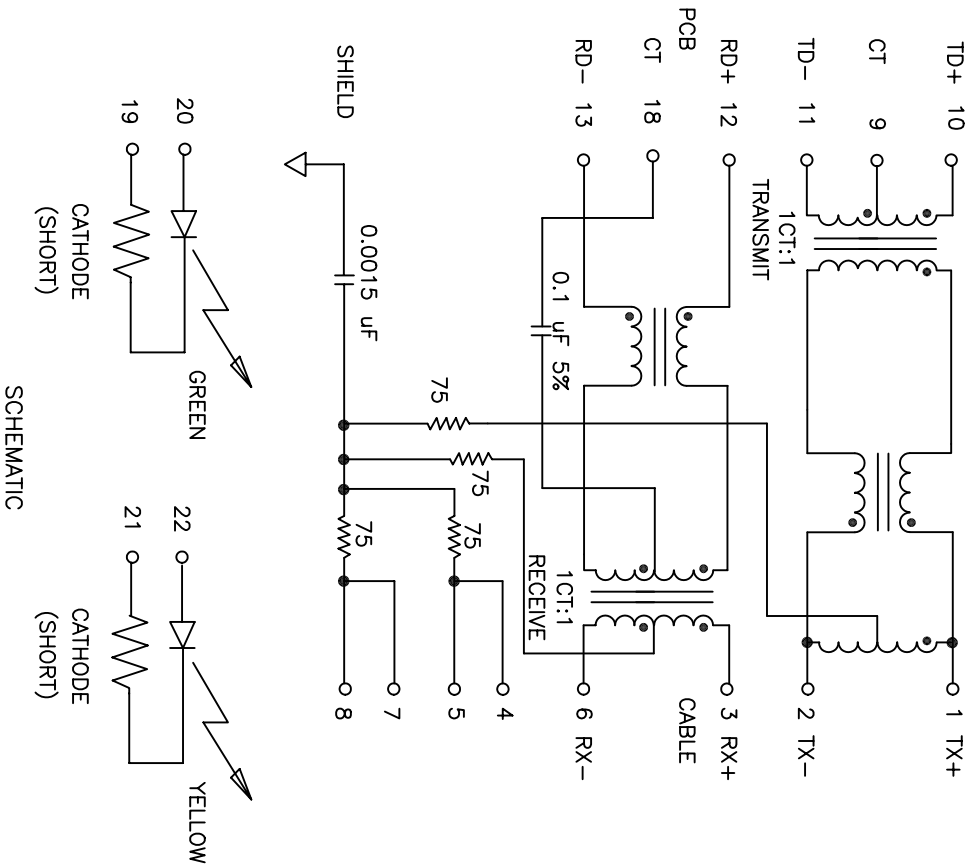
| PRODUCT DESCRIPTION | TLA DRAWING | PS DRAWING | SHEET | PART NO. | DATASHEET REV. |
|-------------------------------|---------------|---------------|--------|------------|----------------|
| CONN,RJ45/USB,USB,100D,1:1,TY | JW0-0009NL-11 | PS-2093.004-B | 1 OF 4 | JW0-0009NL | A |

ELECTRICAL CHARACTERISTICS AT +25°C UNLESS OTHERWISE SPECIFIED
 MEETS IEEE 802.3 SPECIFICATION

| PARAMETER | SPECIFICATIONS | |
|--|----------------|---|
| OPERATING TEMP | 0°C - 70°C | |
| TURNS RATIO | 1 : 1 ±2% | |
| POLARITY | PER SCHEMATIC | |
| INSERTION LOSS | 100 KHz | 1-125 MHz |
| RETURN LOSS (Z _{out} = 100 OHM ±15%) | -1.2 DB MAX | -0.2-0.002*f ^{1.4} DB MAX |
| | .1-30 MHz | 30-60 MHz |
| INDUCTANCE (OCL) (MEDIA SIDE, 0°C-70°C) | -16 DB MIN | -10+20*LOG ₁₀ (f/60 MHz) DB MIN |
| | 350 uH MIN | (MEASURED AT 100 KHz, 100 mV(RMS) (AND WITH 8 mA DC BIAS |
| CROSSTALK, ADJACENT CHANNELS | 1 MHz | 10-100 MHz |
| | -50 DB MIN | -55+22*LOG ₁₀ (f/10) DB MIN |
| COMMON MODE REJECTION RATIO (TYP.) | 2 MHz | 30-200 MHz |
| INPUT - OUTPUT ISOLATION | -50 DB MIN | -15+20*LOG ₁₀ (f/200) DB MIN |
| | | 1500 VRMS MIN @ 60 SECONDS |

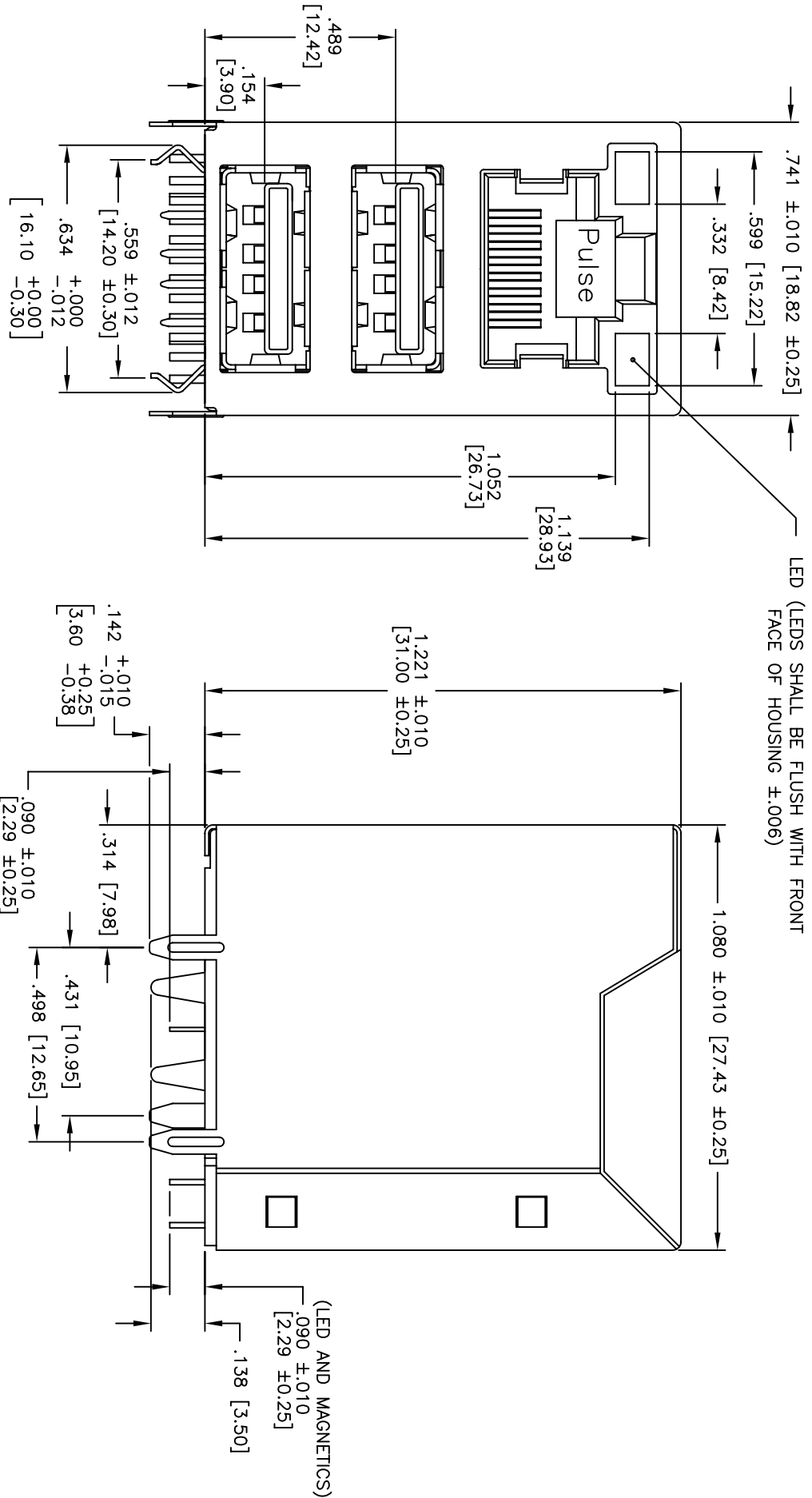
NOTE: f IS FREQUENCY IN MHZ.

| | | |
|-----------------------------------|---------------------|---------------------|
| EMITTED COLOR | GREEN | YELLOW |
| WAVELENGTH (nm) | 568 nm | 585 nm |
| BRIGHTNESS (mcd) | 12 TYP. AT 20 mA | 10 TYP. AT 20 mA |
| VIEWING ANGLE | 100° | 100° |
| POWER DISSIPATION (Pd) | 68 mW MAX | 68 mW MAX |
| DC FORWARD CURRENT | 150 mA MAX | 150 mA MAX |
| REVERSE VOLTAGE (V _r) | 5.0 V MAX | 5.0 V MAX |
| FORWARD VOLTAGE (V _f) | 2.2 TO 2.7 VOLTS | 2.1 TO 2.7 VOLTS |



© Copyright, 2014, Pulse Electronics Corp. All rights reserved. Pulse confidential & proprietary. (05/13/14)

| PRODUCT DESCRIPTION | TLA DRAWING | PS DRAWING | SHEET | PART NO. | DATASHEET REV. |
|-------------------------------|---------------|---------------|--------|------------|----------------|
| CONN,RJ45/USB,USB,100D,1:1,TY | JW0-0009NL-11 | PS-2093.004-B | 2 OF 4 | JW0-0009NL | A |

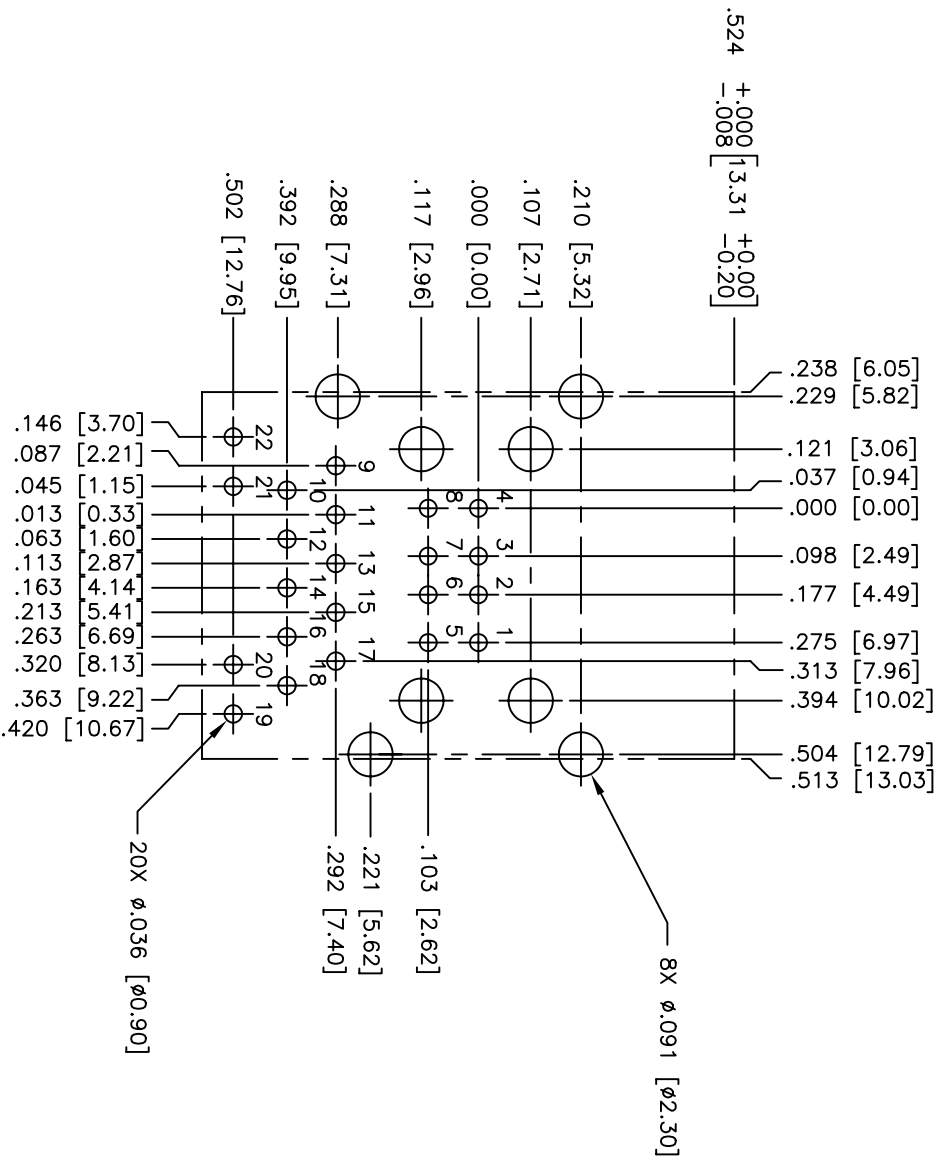


DIMENSIONS ARE IN INCHES [MILLIMETERS] WITH THE FOLLOWING TOLERANCES: [MILLIMETERS] ARE FOR REFERENCE ONLY.
.XX = ±.010 [±0.25]

© Copyright, 2014, Pulse Electronics Corp. All rights reserved. Pulse confidential & proprietary. (05/13/14)

| PRODUCT DESCRIPTION | TLA DRAWING | PS DRAWING | SHEET | PART NO. | DATASHEET REV. |
|-------------------------------|---------------|---------------|--------|------------|----------------|
| CONN,RJ45/USB,USB,100D,1:1,TY | JW0-0009NL-11 | PS-2093.004-B | 3 OF 4 | JW0-0009NL | A |

E-MAIL: PRODINFONETWORK@PULSELECTRONICS.COM(US), ASIA@PULSELECTRONICS.COM(Asia) PHONE: USA:858 674 8100, GERMANY:49 7032 78060, SINGAPORE:65 6287 8998, SHANGHAI:86 21 62787060, TAIWAN:886 3 4356768



SUGGESTED FOOTPRINT (SHOWN FROM COMPONENT SIDE)

DIMENSIONS ARE IN INCHES [MILLIMETERS] WITH THE FOLLOWING TOLERANCES: [MILLIMETERS] ARE FOR REFERENCE ONLY.
 .XX = \pm .003 [\pm 0.08]

© Copyright, 2014, Pulse Electronics Corp. All rights reserved. Pulse confidential & proprietary. (05/13/14)

| PRODUCT DESCRIPTION | TLA DRAWING | PS DRAWING | SHEET | PART NO. | DATASHEET REV. |
|-------------------------------|---------------|---------------|--------|------------|----------------|
| CONN,RJ45/USB,USB,100D,1:1,TY | JW0-0009NL-11 | PS-2093.004-B | 4 OF 4 | JW0-0009NL | A |