

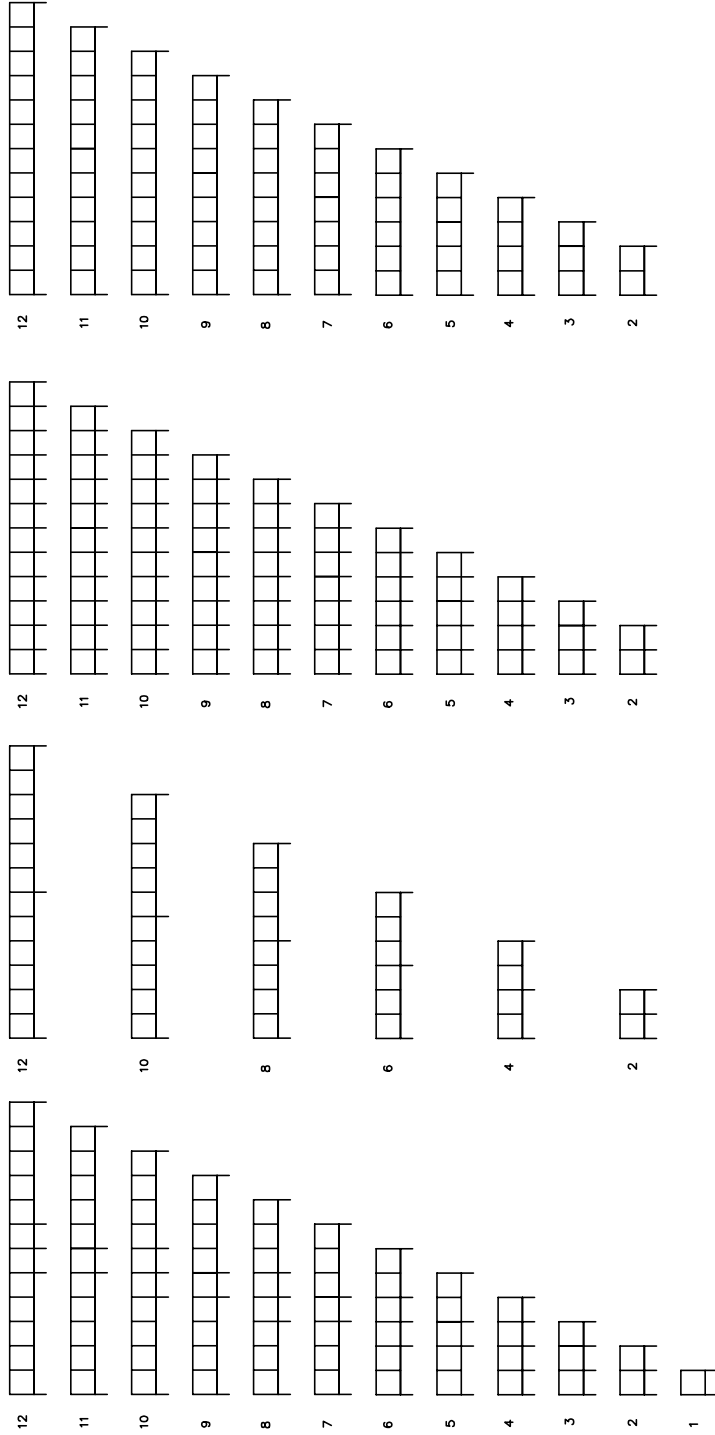
REAR SHIELD (VIEWED FROM PLUG ENTRY SIDE)
GROUND SOLDER TAIL CONFIGURATION

CODE "Z" = 0

CODE "Z" = 1

CODE "Z" = 2

CODE "Z" = 3



PCB LAYOUT SHEET 4

PCB LAYOUT SHEET 5

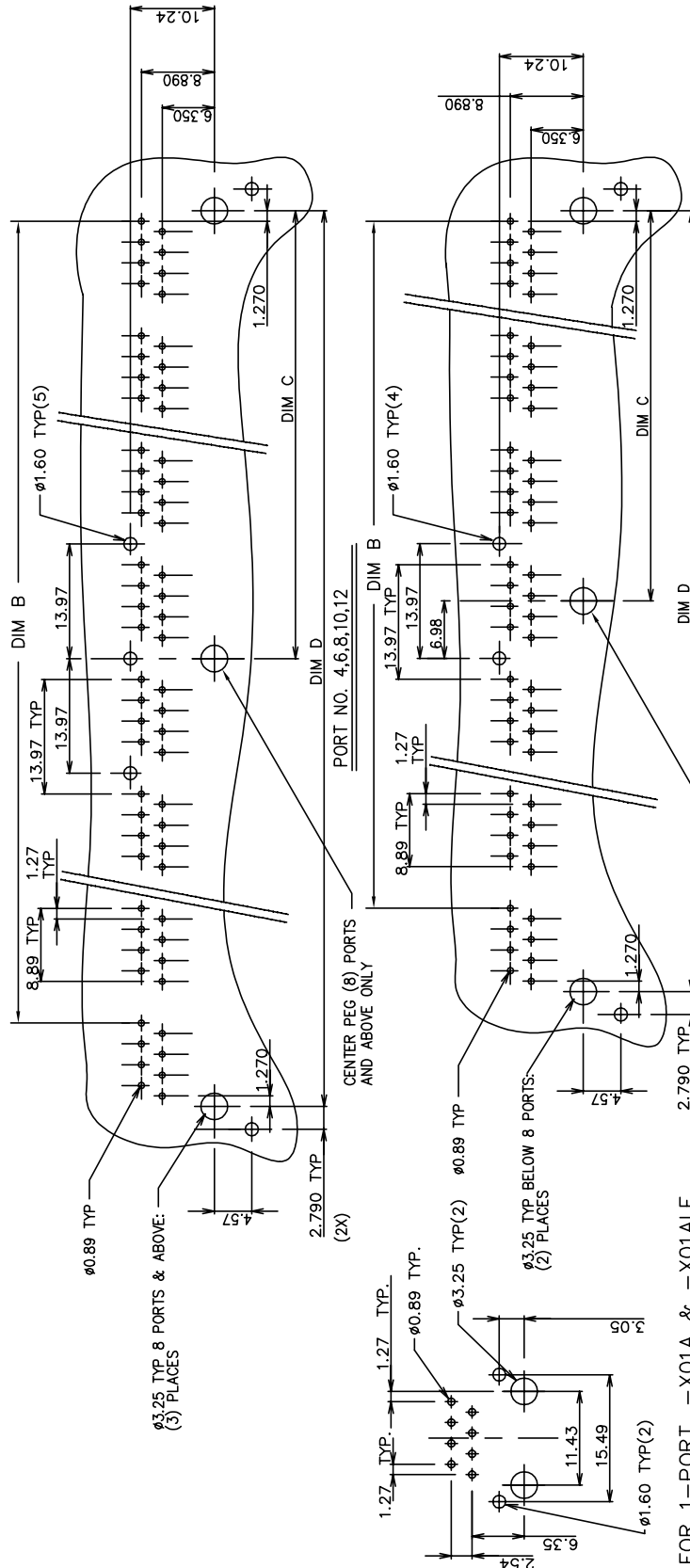
PCB LAYOUT SHEET 6

PCB LAYOUT SHEET 7

mat'l. code	surface	tolerance	projection	product family
ISO 1301	ISO 1301	ISO 406 ISO 1101	MOD JACK	MOD JACK
trlec naddr date	tolerances unless otherwisespecified	angle	MM	R/A CAT5 GANG JACK ASSY
R	0±0.3	0°±2'	scale 1:0	8 POS SHIELDED SNAP PEG
	0±0.13			awg no sheet3of7 size
	0±0.051			8 POS SHIELDED SNAP PEG
	dr L.POTTIEGER 8/30/95			awg no sheet3of7 size
	eng Y.BELOPOLSKY 8/30/95			A4
	chr Y.BELOPOLSKY 8/30/95			95678
	app dr.BELOPOLSKY 8/30/95			Product Customer Drawing
sheet revision				
index Sheet				

A

B

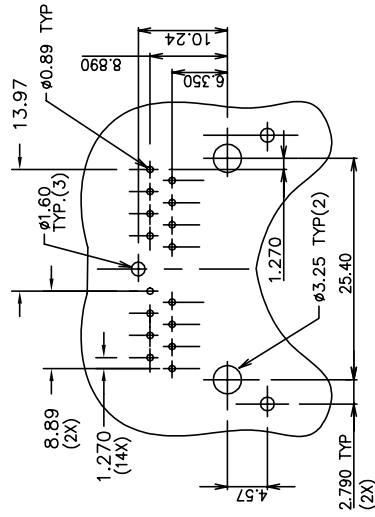
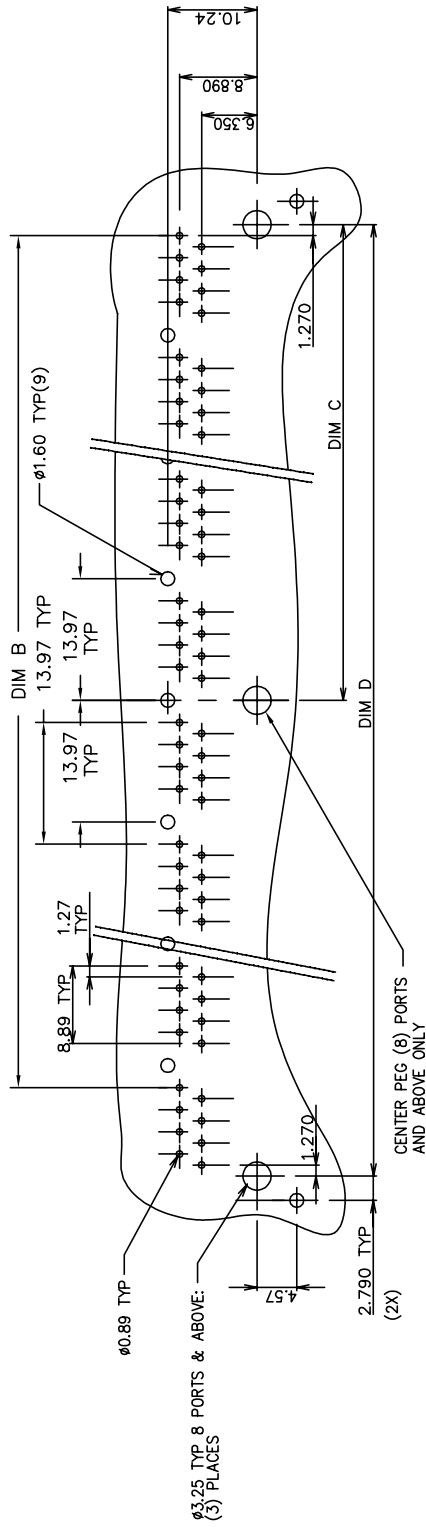


RECOMMENDED P.C.B LAYOUT

CODE "Z" = 0 (STANDARD GROUND LEGS)

mat'l. code	surface	tolerance	projection	product family
ISO 1301	ISO 406	ISO 1101	MOD JACK	MOD JACK
tr/ecn naddr date	tolerances unless otherwise specified			
R	angle	0-xx±0.3	MM	
	0±2'	0-xx±0.13	scale 1.0	
	dr	L.POTTIEGER	8/30/95	R/A CAT5 GANG JACK ASSY
	eng	Y.BELOPOLSKY	8/30/95	8 POS SHIELDED SNAP PEG
	chr	Y.BELOPOLSKY	8/30/95	awg no sheet of 7 size
	app	Y.BELOPOLSKY	8/30/95	95678 A4
sheet revision	type Product Customer Drawing			
index	Sheet			





RECOMMENDED P.C.B LAYOUT
 CODE "Z" = 2 (ALL GROUND LEGS)

(SAME AS STANDARD CODE "Z"=0)

mat'l. code	surface	tolerance	projection	product family
ISO 1301	ISO 1301	ISO 406	ISO 1101	MOD JACK
trlec n d r	date	tolerances unless otherwise specified	title	
R		0.xx±0.3	MM	
	angle	0.xx±0.13	scale 1.0	
	0°±2'	0.xxx±0.051		
	dr	L.POTTIEGER	8/30/95	R/A CAT5 GANG JACK ASSY
	eng	Y.BELOPOLSKY	8/30/95	8 POS SHIELDED SNAP PEG
	chr	Y.BELOPOLSKY	8/30/95	awg no sheet of 7 size
	app	Y.BELOPOLSKY	8/30/95	A4
sheet index	revision			type Product Customer Drawing
				95678

