

MATERIAL: Self Extinguishing UL94VO THERMOPLASTICS

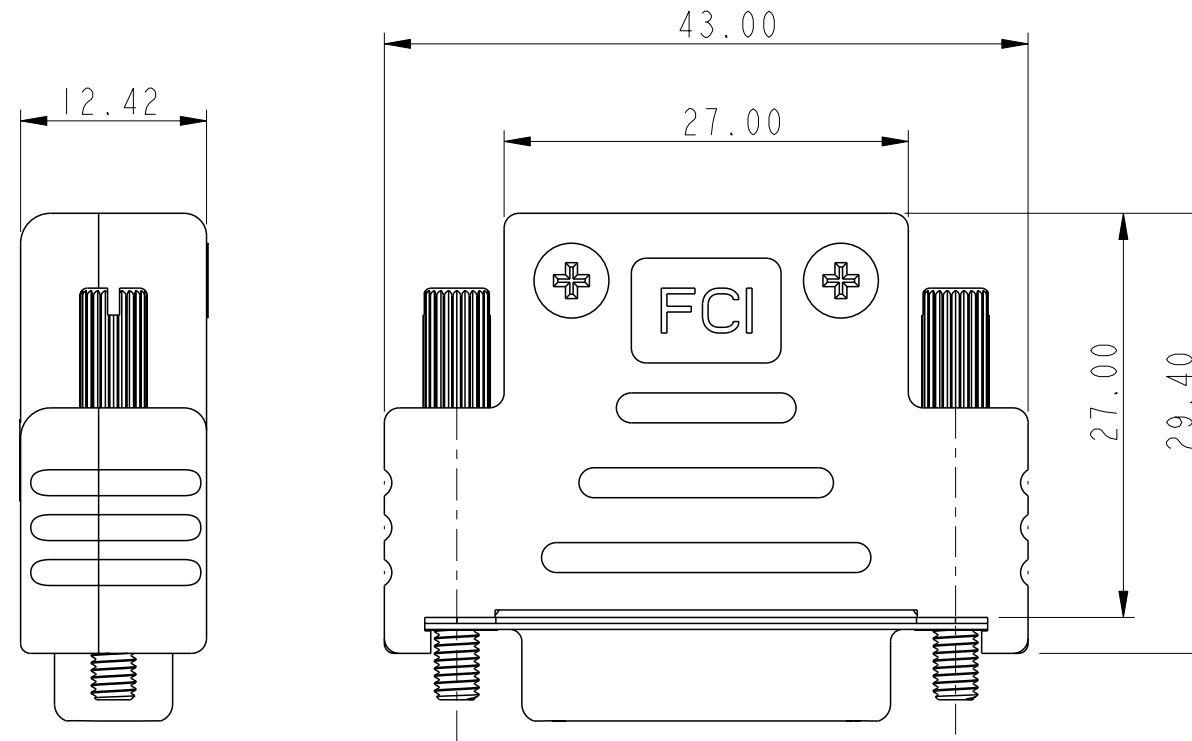
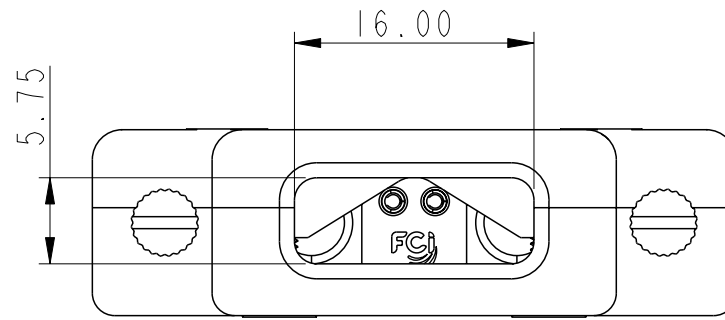
COLOUR : BLACK

TEMPERATURE RANGE : -55°C +105°C

LOCKING SCREWS : 4-40UNC THREAD

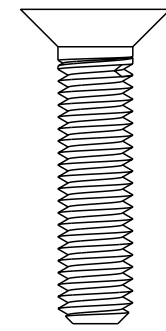
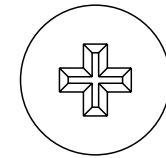
ROHS COMPLIANT

PART NO : 10070163-01LF



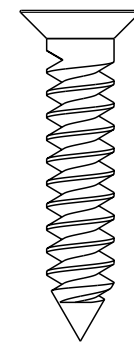
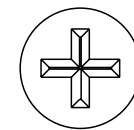
M3-CLAMP SCREW FOR STRAIN RELIEF

MATERIAL : STEEL  
FINISH : Zn PASSIVATION



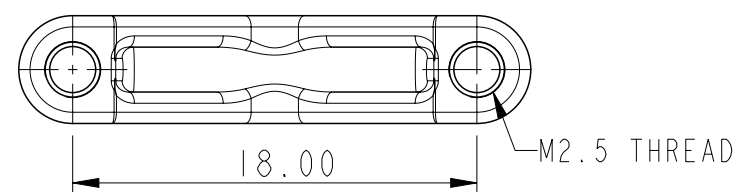
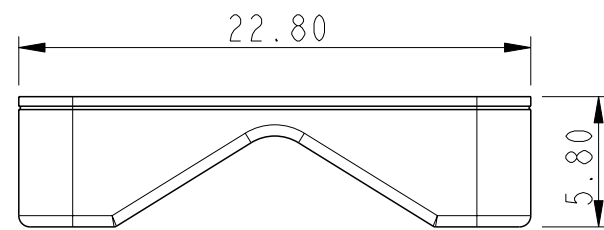
M3-CLAMP SCREW

MATERIAL : STEEL  
FINISH : Zn PASSIVATION



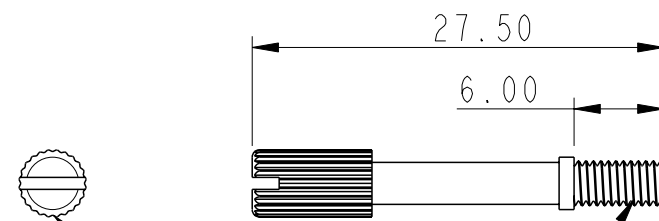
STRAIN RELIEF

MATERIAL : DIECAST-ZINC ALLOY



THUMB SCREW

MATERIAL : STEEL  
FINISH : NICKEL PLATING



Straight Knurling on  $\varnothing 4.5$   
4 40UNC THREAD

|                                       |             |            |   |                  |            |              |              |
|---------------------------------------|-------------|------------|---|------------------|------------|--------------|--------------|
| www.fciconnect.com                    |             |            | surface - <input checked="" type="checkbox"/> | tolerance std    | projection | mm           |              |
|                                       |             |            | ISO 1302                                      | ISO 406 ISO 1101 |            |              |              |
| TOLERANCES UNLESS OTHERWISE SPECIFIED |             |            |   |                  |            | size A3      | Scale 2:1    |
| Dr                                    | NIRMAL G    | 2007-02-21 | ANGULAR                                       | 0.X              | $\pm 0.3$  |              |              |
| Eng                                   | NIRMAL G    | 2007-12-28 | LINEAR  | 0.XX             | $\pm 0.1$  |              |              |
| Chr                                   | ANISH S     | 2007-12-28 | $0^\circ \pm 1^\circ$                         | 0.XXX            | $\pm 0.05$ | ECN 107-0179 |              |
| Appr                                  | BIJU K PAUL | 2007-12-29 | Product family                                | D-SUB            |            | Spec ref     |              |
|                                       |             |            | -ST. HOOD & ACCESSORIES                       |                  | dwg no     | 10070163     | Rev. A       |
|                                       |             |            | -MicroTCA_48V CONNECTOR HOOD                  |                  | CUSTOMER   |              | sheet 1 of 1 |
|                                       |             |            | catalog no                                    |                  | SEE NOTES  |              |              |

| rev | ecn no   | dr | date       |
|-----|----------|----|------------|
| A   | 107-0179 | NG | 2007-12-29 |
| -   | -        | -  | -          |
| -   | -        | -  | -          |
| -   | -        | -  | -          |
| -   | -        | -  | -          |



Copyright FCI.