

# MD and MDP Series



MD (Soft Actuator)    MDP (Hard Actuator)

## Features/Benefits

- Short travel
- Good tactile feedback
- Self cleaning
- ROHS
- 2 actuator material

## Typical Applications

- Aircraft
- Instrument
- Panels
- Radio equipment

## Specification

Function : Momentary action  
 Contact type : Normally Open - SPST  
 Terminals : Through hole PCB terminations

## Mechanical

	Operating force (N)	Tactile feeling ( $\Delta\%$ )	Operating life	Travel (mm)
<b>MD</b>	2,4 N $\pm$ 25%	$\geq$ 15%	$\geq$ 10 <sup>6</sup>	0.95 mm $\pm$ 0.35
<b>MDP</b>	2,6 N $\pm$ 25%	$\geq$ 25%	$\geq$ 2x10 <sup>5</sup>	0.4 mm $\pm$ 0.25

## Electrical

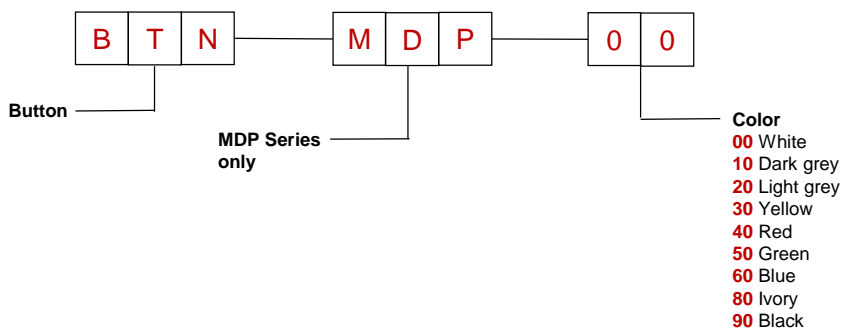
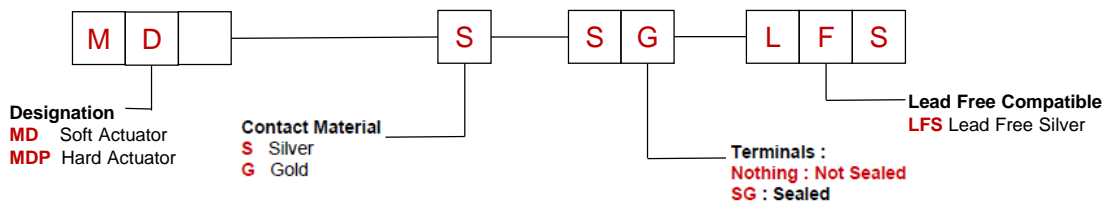
	Silver	Gold
Maximum power:	1,0 VA	0,2 VA
Maximum voltage:	100 Vdc	100 Vdc
Minimum voltage:	20 mVdc	20 mVdc
Min/max current:	1.0 mA – 100 mA	50 $\mu$ A – 50 mA
Dielectric strength:	$\geq$ 250 Vrms	
Contact resistance:	$\leq$ 100 m $\Omega$	
Insulation resistance: (between terminals)	Initial measurement: $\geq$ 1 G $\Omega$ After damp heat : $\geq$ 10 M $\Omega$	
Bounce time:	$\leq$ 3ms	

## Environmental

	Silver	Gold
Operating temperature	- 25°C / + 70°C	- 55°C / + 85°C

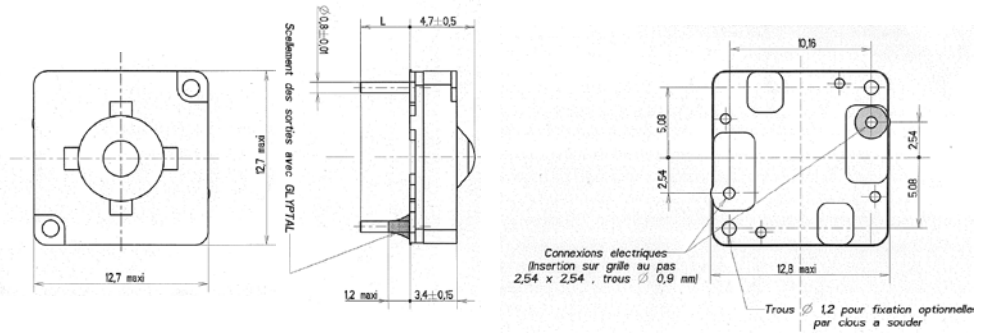
## Part Number Description

For any part number different from those listed below, please consult your local representative

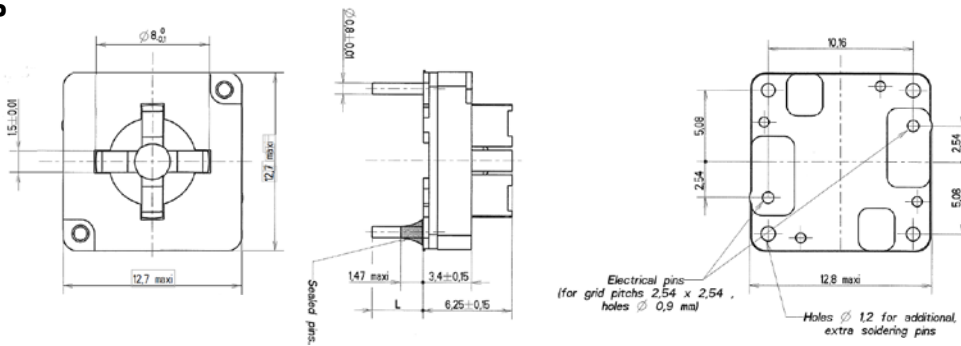


Dimensions shown in mm (inch)  
 Specifications and dimensions subject to change

## MD



## MDP



## Bouton MDP

