

PRODUCT NUMBER  
76347-XXXXLE

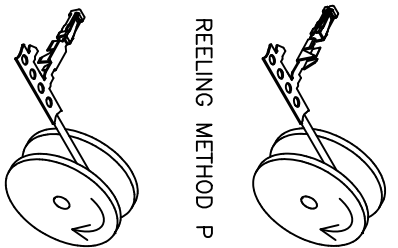
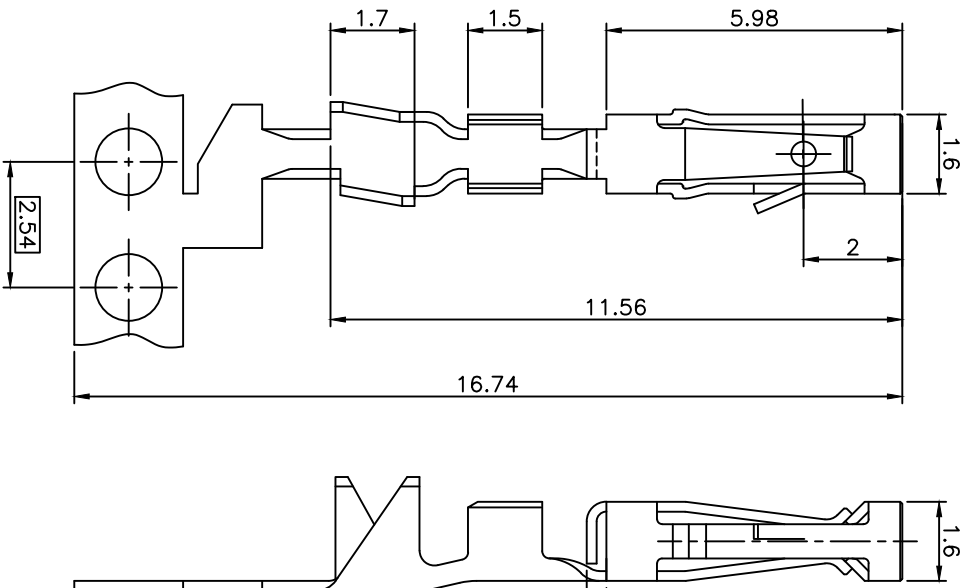
INDICATES THE PRODUCT IS ROHS  
COMPATIBLE, SEE NOTE 3  
PACKAGING, NOTE 2

DEPENDS ON:  
INSULATION BARREL,  
WIRE BARREL AWG RANGE,  
REELING METHOD,  
NUMBER OF PRODUCT.  
SEE TABLE SHEET 2/2.

PLATING CODE  
3 = 0.76µm GOLD ON CONTACT AREA.  
2µm MIN MATTE TIN ON TAIL.  
4 = 5µm TIN-LEAD ON CONTACT AREA.  
2µm MIN MATTE TIN ON TAIL.  
OVER 1.27µm NI MIN

NOTES:

- 1 - TERMINAL MATERIAL: PHOSPHOR BRONZE.
  - 2 - PACKAGING :
  - "V" = PRODUCT PACKED IN REEL.  
    "V" = PRODUCT PACKED IN REEL FOR CUSTOMER DEDICATED PART
  - 3 - ROHS COMPATIBLE PRODUCT SPECIFICATIONS
  - d - PLATING:
  - "LF" MEANS THE PRODUCT IS LEAD-FREE,  
        2µm MINIMUM MATTE TIN OVER 1.27µm  
        MINIMUM NICKEL UNDERPLATE.
  - b - LABELING:
  - MEETS PACKAGING SPECS AS PER GS-14-920
  - c - LEGAL STATEMENT: SEE GS-22-008
- THE PRODUCT IS NOT INTENDED TO BE EXPOSED TO A



Form: A3

mat'l. code	surface	tolerance	projection	product family
lfr ecn no   dr   date	ISO 1302	ISO 406 ISO 1101	mm	DUBOX
S F06-0237 DLE 06.07.103	tolerances unless otherwise specified	±0.13	mm	ctw CONTACT
T F-27117 LMU 17.05.30	angles		mm	ON REEL
M F04-0360 DLE 04.10.111	linear		mm	sheet 1 of 2
N F04-0373 DLE 04.11.19	G CORBOZ	00.12.22	mm	A3
P F05-0286 DLE 05.11.07 chr	P NIZZI	00.12.22	mm	size
R F06-0214 DLE 06.06.30 dppd	P N	00.12.22	mm	type CUSTOMER Drawing
sheet revision T E				
index sheet 1 2				

1 2 3 4 5 6

PRODUCT NUMBER	WIRE BARREL			INSULATION BARREL			REELING			APPLICATION DATA	
	AWG SIZE	A	B	C	INSULATION DIA RANGE	D	E	F	METHOD		PRODUCTS
76347-X01(Y)LF	22-30	1.6	1.6	0.3	0.9-1.5	2.1	2.6	0.8	P	15 000	TA 317
76347-X02(Y)LF	22-30	1.6	1.6	0.3	0.9-1.5	2.1	2.6	0.8	R	15 000	TA 317
76347-X03(Y)LF	22-30	1.6	1.6	0.3	0.9-1.5	2.1	2.6	0.8	R	500	TA 317
76347-X11(Y)LF	20-22	2.1	2.0	0.6	1.1-1.6	2.4	2.2	0.8	P	15 000	TA 317
76347-X12(Y)LF	20-22	2.1	2.0	0.6	1.1-1.6	2.4	2.2	0.8	R	15 000	TA 317
76347-X41(Y)LF	28-32	1.7	1.0	0.3	0.55-0.8	1.3	1.3	0.3	P	15 000	TA 340
76347-X42(Y)LF	28-32	1.7	1.0	0.3	0.55-0.8	1.3	1.3	0.3	R	15 000	TA 340

mat'l. code	surface	tolerance	projection	product family
ISO 1302	ISO 406	ISO 1101		DUBOX
ISO 10103 GCO 00.12.22	tolerances unless otherwise specified		mm	title
A F10527 GSA 01.09.20	angles	linear	scale 2.5:1	ctw CONTACT
B F04-0373 DLE 04.11.19	chr			ON REEL
C F06-0215 DLE 06.06.30	engr	P NIZZI		sheet 2 of 2
D F-27117 LMU 17.05.30	chr			size
E	appr	P N		A3
sheet	revision			type
index	sheet			CUSTOMER Drawing

