

Series 805 Mighty Mouse Size #8 Connector Receptacle with Quadrax, Twinax, Coax or Power Contacts

Series 805-003 and 805-004 Ordering Information



Series 805 Receptacles with Size #8 Contacts

New Mighty Mouse contact arrangements accept size #8 contacts for power, Ethernet or high frequency coax applications. Series 805 Mighty Mouse receptacles feature damage-resistant triple start ACME mating threads. Available with integral band platform or accessory attachment threads, these plugs are supplied with power contacts for AWG #8 wire (contact types P or S). Or, specify contact types A or B for connectors supplied less power contacts for use with quadrax, twinax or coax contacts purchased separately. Contacts are crimp type and are snap-in, rear-release with plastic extraction tool sold separately. Aluminum or stainless steel shell, thermoplastic insulators, fluorosilicone rubber seals.



How To Order	
Sample Part Number	805-003 -01 M 19-3 S A
Series (See Table I)	805-003 = Receptacle with Banding Platform 805-004 = Receptacle with Rear Accessory Thread
Shell Style	-01 = In-Line For Free-Hanging Cables -02 = Square Flange For Front or Rear Mounting -12 = Square Flange For Rear Mounting with Non-Locking Clinch Nuts -22 = Square Flange For Rear Mounting with Locking Clinch Nuts -07 = Jam Nut For Rear Panel Mounting
Shell Material and Finish	M = Aluminum / Electroless Nickel RoHS Compliant NF = Aluminum / Cadmium with Olive Drab Chromate ZR = Aluminum / Zinc-Nickel with Non-Reflective Black Chromate RoHS Compliant MT = Aluminum / Nickel-PTFE RoHS Compliant Z1 = Stainless Steel / Passivated RoHS Compliant
Shell Size - Insert Arrangement (See Table II)	10-1, 18-2, 19-3, 21-4, 23-5, 18-208, 19-205, 21-201, 21-202, 23-200 (See page K-5)
Contact Type	Connector supplied with size #8 contacts P = Pin with #8 Power Contacts S = Socket with #8 AWG Power Contacts Connector supplied without contacts (Order quadrax, twinax or coax contacts separately.) A = Pin Connector, Less Contacts B = Socket Connector, Less Contacts
Shell Key Position (See Shell Key Position Table)	A = Normal B = Pos. B C = Pos. C D = Pos. D E = Pos. E F = Pos. F

Table I: Series	
805-003 Receptacle with Banding Platform	805-004 Receptacle with Accessory Thread

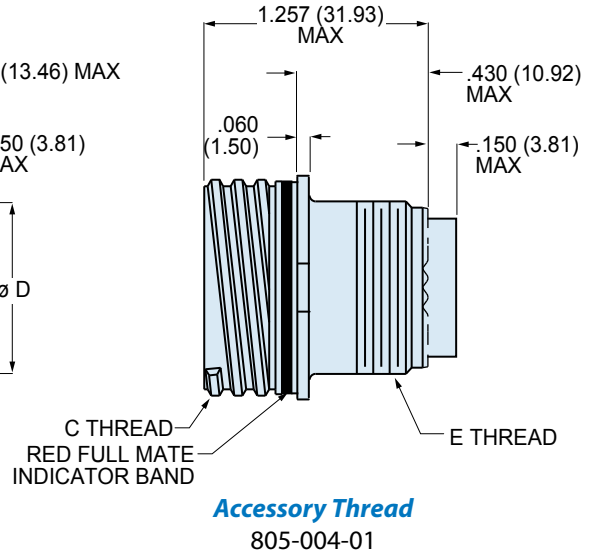
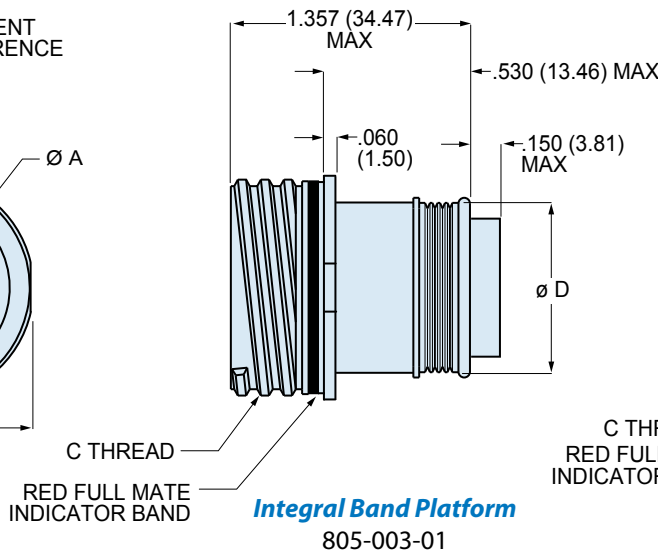
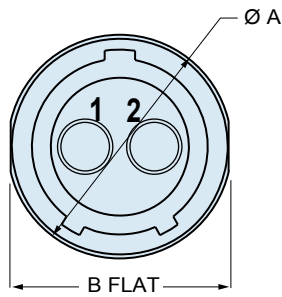
Table II: Shell Key Positions		
Position	A°	B°
A	150°	210°
B	75°	210°
C	95°	230°
D	140°	275°
E	75°	275°
F	95°	210°

Dimensions in Inches (millimeters) are subject to change without notice.

K

In-line receptacle with band platform or accessory thread

18-2 ARRANGEMENT
SHOWN FOR REFERENCE

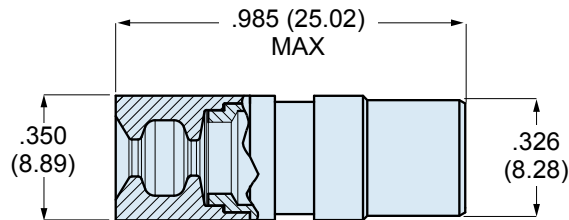


Dimensions								
Shell Size	Ø A		B Flat		C Threads	Ø D		E Threads
	In.	mm.	In.	mm.		In.	mm.	
10	.668	16.96	.638	16.21	.6250-.1P-.3L-TS-2A	.472	12.01	.5000-28 UNEF-2A
18	1.165	29.59	1.135	28.83	1.1250-.1P-.3L-TS-2A	.884	22.45	.9375-20 UNEF-2A
19	1.235	31.37	1.205	30.61	1.1875-.1P-.3L-TS-2A	.884	22.45	.9375-20 UNEF-2A
21	1.360	34.54	1.330	33.78	1.3125-.1P-.3L-TS-2A	1.003	25.48	1.0625-18 UNEF-2A
23	1.485	37.72	1.455	36.96	1.4375-.1P-.3L-TS-2A	1.134	28.80	1.1875-18 UNEF-2A

Sealing Boot

Sealing boot provides wire seal. Slide boot onto wire before terminating contact. After contact is installed in connector, slide boot forward into connector grommet to seal the contact cavity."F" suffix added on contact part number specifies contact supplied with sealing boot P/N 859-042-03.

Wire Dia. (in.)	Wire Dia. (mm.)	Part Number
.170 - .205	4.3 - 5.2	859-042-03



Dimensions in Inches (millimeters) are subject to change without notice.

Series 805 Mighty Mouse Size #8 Connector Receptacle with Quadrax, Twinax, Coax or Power Contacts

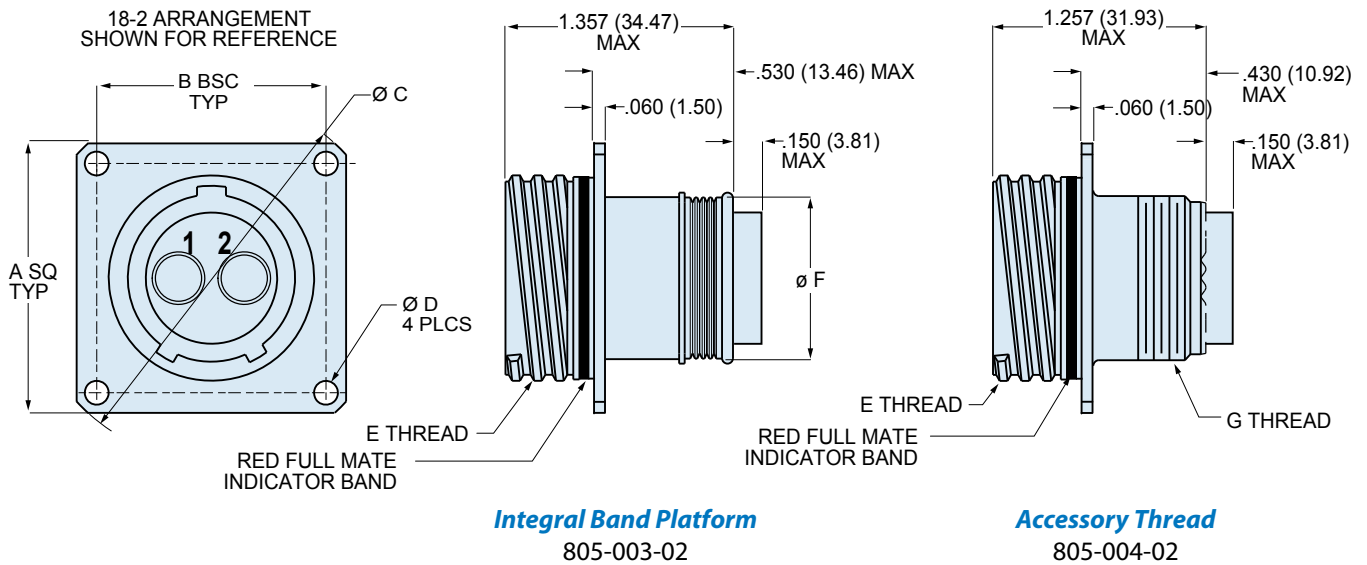
Series 805-003 and 805-004 - Style 02 Dimensions



Mighty Mouse
with #8 Contacts

K

Square flange front or rear mount receptacle with band platform or accessory thread



Dimensions												
Shell Size	A Sq		B Bsc		Ø C		Ø D		E Threads	Ø F		G Threads
	In.	mm.	In.	mm.	In.	mm.	±.003	±.008		In.	mm.	
10	.975	24.77	.785	19.94	1.330	33.78	.094	2.39	.6250-1P-3L-TS-2A	.472	12.01	.5000-28 UNEF-2A
18	1.475	37.47	1.255	31.88	2.000	50.80	.128	3.25	1.1250-1P-3L-TS-2A	.884	22.45	.9375-20 UNEF-2A
19	1.537	71.06	1.327	33.71	2.094	53.19	.128	3.25	1.1875-1P-3L-TS-2A	.884	22.45	.9375-20 UNEF-2A
21	1.663	42.24	1.452	36.88	2.270	57.66	.128	3.25	1.3125-1P-3L-TS-2A	1.003	25.48	1.0625-18 UNEF-2A
23	1.787	45.39	1.570	39.88	2.440	61.98	.128	3.25	1.4375-1P-3L-TS-2A	1.134	28.80	1.1875-18 UNEF-2A

Square Flange Panel Cutout						
Shell Size	Ø A		B Bsc		Ø C	
	In.	mm.	In.	mm.	In.	mm.
10	.640	16.26	.785	19.94	.093	2.36
18	1.140	28.96	1.255	31.88	.128	3.25
19	1.203	30.56	1.327	33.71	.128	3.25
21	1.328	33.73	1.452	36.88	.128	3.25
23	1.453	36.91	1.570	39.88	.128	3.25

Dimensions in Inches (millimeters) are subject to change without notice.

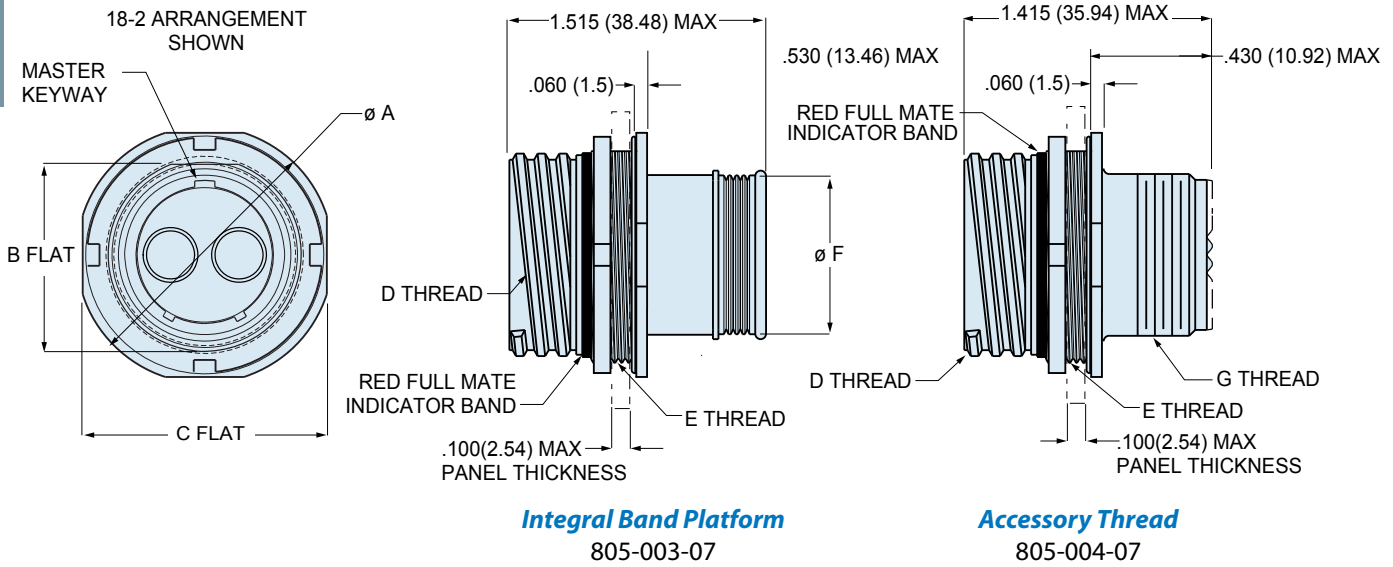


Series 805 Mighty Mouse Size #8 Connector Receptacle with Quadrax, Twinax, Coax or Power Contacts

Series 805-003 and 805-004 - Style 07 Dimensions

K

Jam nut rear panel mount receptacle with band platform or accessory thread



Dimensions											
Shell Size	Ø A		B Flat		C Flat		D Threads	E Threads	Ø F		G Threads
	In.	mm.	In.	mm.	In.	mm.			In.	mm.	
10	.880	22.35	.661	16.79	.850	21.59	.6250-.1P-.3L-TS-2A	.6875-28 UN-2A	.472	11.99	.5000-28 UNEF-2A
18	1.389	35.28	1.147	29.13	1.359	34.52	1.1250-.1P-.3L-TS-2A	1.1875-28 UN-2A	.884	22.45	.9375-20 UNEF-2A
19	1.450	36.83	1.221	31.01	1.420	36.07	1.1875-.1P-.3L-TS-2A	1.2500-28 UN-2A	.884	22.45	.9375-20 UNEF-2A
21	1.580	40.13	1.350	34.29	1.550	39.37	1.3125-.1P-.3L-TS-2A	1.3750-28 UN-2A	1.003	25.48	1.0625-18 UNEF-2A
23	1.705	43.31	1.470	37.34	1.675	42.55	1.4375-.1P-.3L-TS-2A	1.500-28 UN-2A	1.134	28.80	1.1875-18 UNEF-2A

Jam Nut Panel Cutout				
Shell Size	A Flat		Ø B	
	In. ± .002	mm. ± 0.05	In. ± .002	mm. ± 0.05
10	.671	17.04	.698	17.73
18	1.157	29.39	1.198	30.43
19	1.231	31.27	1.260	32.00
21	1.358	34.49	1.385	35.18
23	1.480	37.59	1.510	38.35

Dimensions in Inches (millimeters) are subject to change without notice.