

4

3

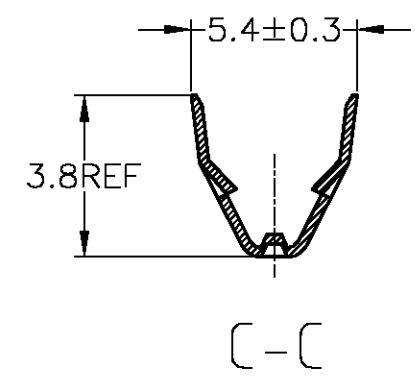
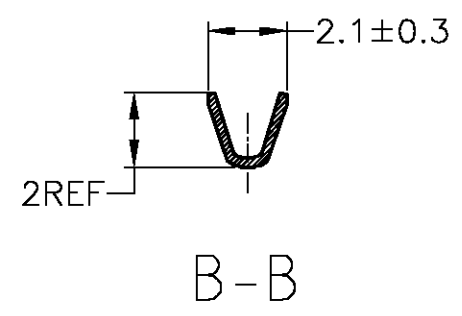
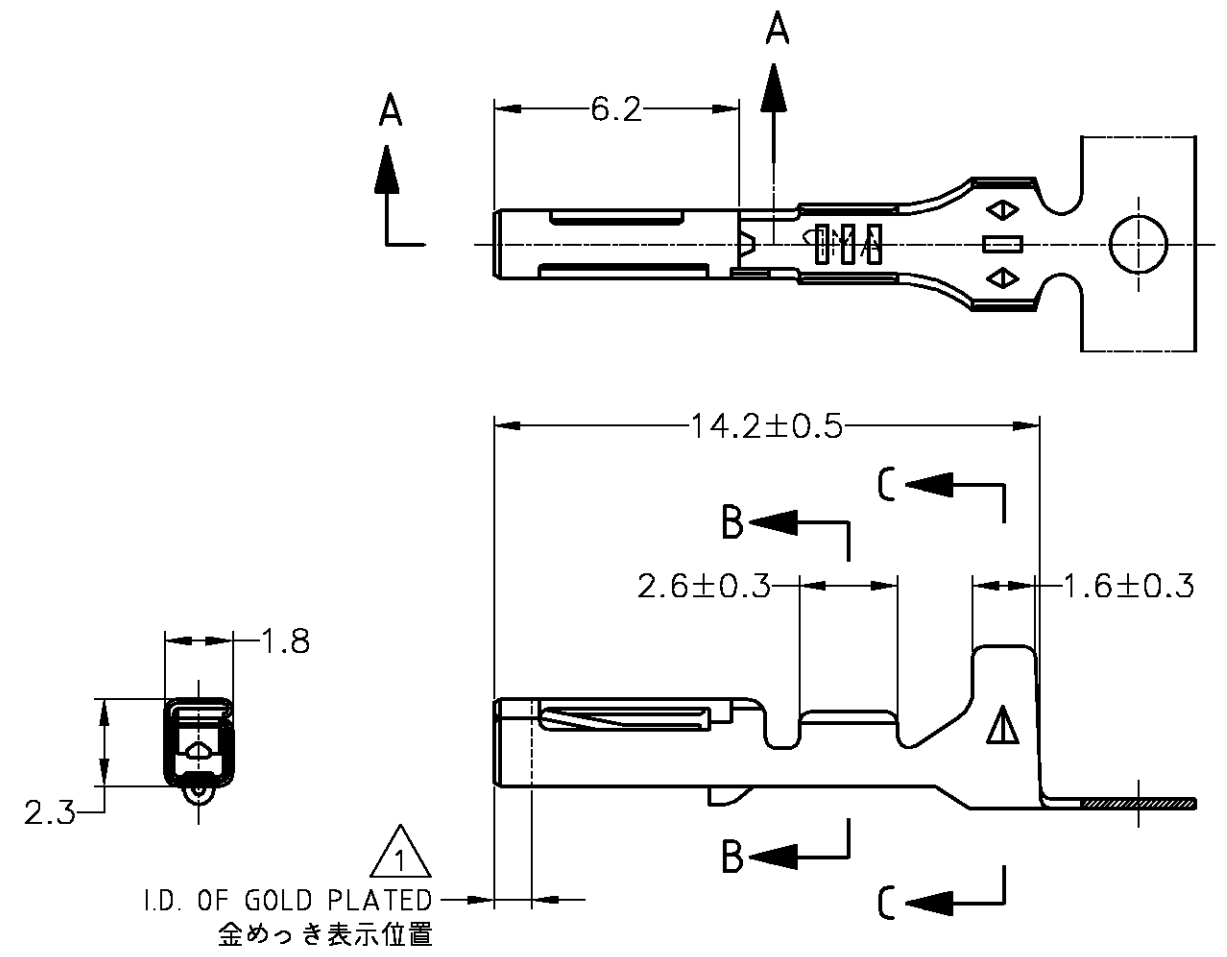
2

1

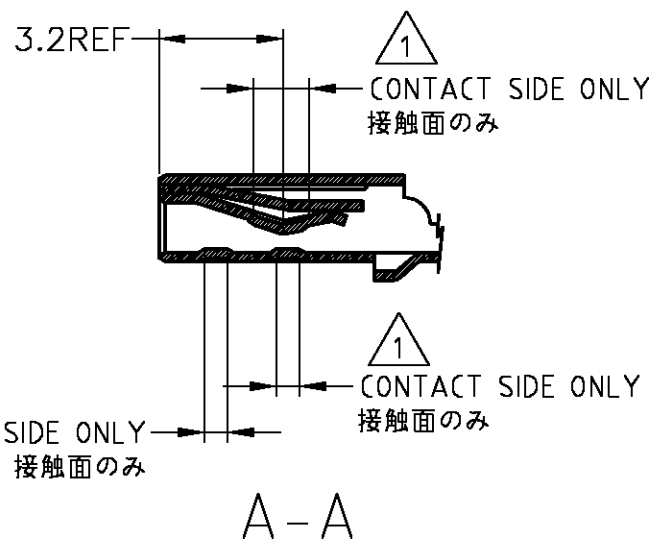
THIS DRAWING IS UNPUBLISHED. RELEASED FOR PUBLICATION
 © COPYRIGHT BY TYCO ELECTRONICS CORPORATION. ALL RIGHTS RESERVED.

LOC	DIST	REVISIONS					
		P	LTR	DESCRIPTION	DATE	DWN	APVD
J	—	E3		REVISED	07AUG06	SM	KB

注;
 △部分金めっき
 NOTE;
 △SELECTIVE GOLD



△1
 I.D. OF GOLD PLATED
 金めっき表示位置



△1
 CONTACT SIDE ONLY
 接触面のみ

△1
 CONTACT SIDE ONLY
 接触面のみ

△1
 CONTACT SIDE ONLY
 接触面のみ

SEE DRAWING 173681-6	173681-6
175062-2	SELECTIVE GOLD
175062-1	PRE-TINNED
LOOSE PIECES NUMBER	PART NUMBER

WIRE RANGE (包含電線断面積) 0.3~0.56mm² (AWG#22~20)
 INSULATION DIA. (被覆外径) 1.8~2 mmφ

THIS DRAWING IS A CONTROLLED DOCUMENT.		DWN T.SHINOHARA 25MAY04	Tyco Electronics AMP K.K. Kawasaki, Japan	
DIMENSIONS: 単位: 耗 mm		CHK K.BETSUI 25MAY04	NAME 名称	
TOLERANCES UNLESS OTHERWISE SPECIFIED: 一般公差		APVD K.BETSUI 25MAY04	040 SERIES RECEPTACLE CONTACT	
0 PLC ±-		PRODUCT SPEC 製品規格	SIZE A3	CAGE CODE 00779
1 PLC ±-		APPLICATION SPEC 取付適用規格	DRAWING NO 173681	RESTRICTED TO
2 PLC ±-		114-5094	SCALE 尺度 5:1	SHEET 1 OF 1
3 PLC ±-		WEIGHT 0.262	REV E3	
4 PLC ±-		CUSTOMER DRAWING		
ANGLES ±-				
FINISH 仕上 SEE TABLE				
MATERIAL 材料 PHOS. BRONZE, THK 0.25 りん青銅、板厚; 0.25				

TOLERANCES UNLESS OTHERWISE SPECIFIED: 一般公差	
10 ≥	±0.2
30 ≥ >10	±0.25
100 ≥ >30	±0.3
ANGLE: ±3°	