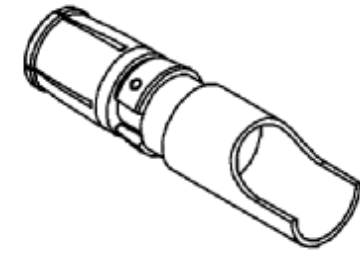
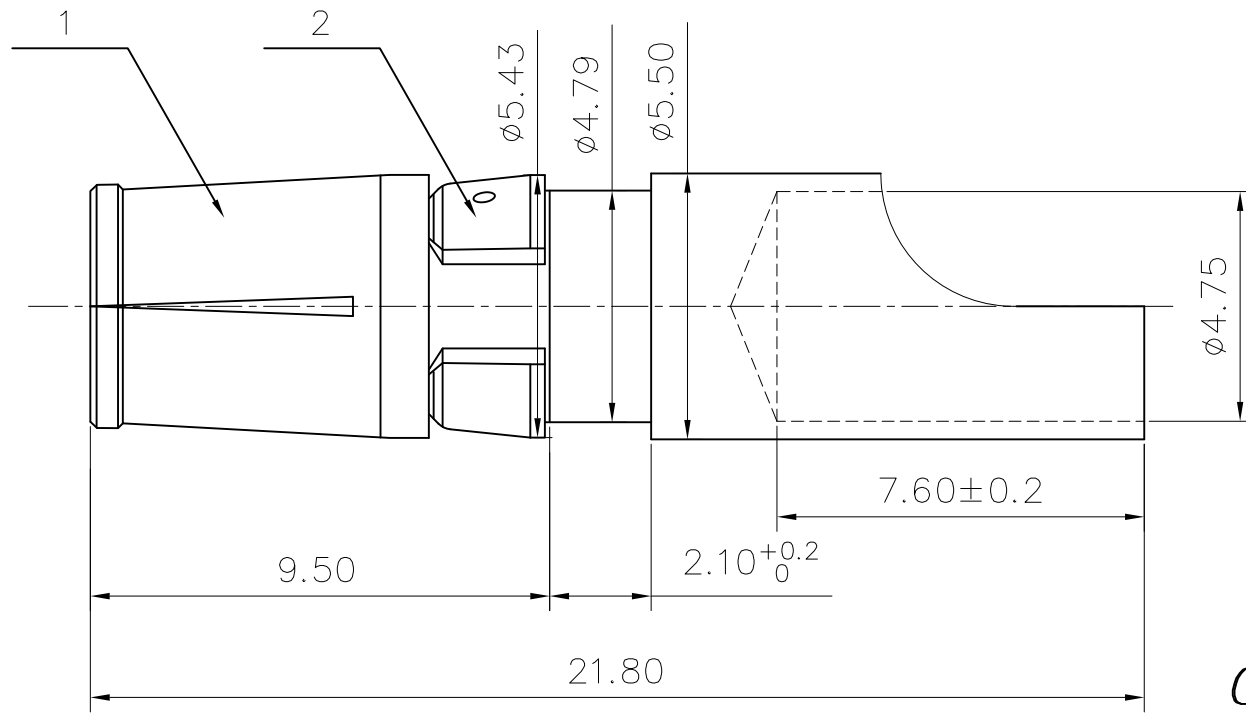


This document is the property of Amphenol Corporation and is delivered on the express condition that it is not to be disclosed, reproduced or used, in whole or in part, for manufacture or sale by anyone other than Amphenol Corporation without its prior consent, & that no right is granted to disclose or to use any information in this document.

REVISIONS				
SYM	ECN	DESCRIPTION	DATE	APPROVED
1		Release part drawing	09/19/07	IP



Customer drawing

Notes:

1. Commercial number is L17DM537441
2. Current rating: 30 to 40A.
3. Insertion force: 1200g max. with $\phi 3.60$ contact testing.
4. Withdrawal force: 244g min. with $\phi 3.60$ contact testing.



2	4P00100	thermoplastic	
1	4W05000C	CuNi1Pb1	0.375um gold over 1.25um nickel
Sequence	Part number	Material	Plating

UNLESS OTHERWISE SPECIFIED TOLERANCES		APPROVAL		DATE
		DRAWN	Lisa.peng 11/08/07	
.X	+/-	/		
.XX	+/-	/		
.XXX	+/-	/		
FRACTIONS	+/-	/		
ANGLES	+/-	/		
FOR MATERIALS AND FINISHES SEE NOTES		DRAWING FILE : \drawing\Deub\4W05000C-A		
REMOVE SHARP EDGES		ANGLE OF PROJECTION		
DIMENSIONS				
U.S. INCHES				
METRIC MM				

Amphenol		
TITLE High power contact		
SIZE	DRAWING NO.	REV.
A4	C 4W05000C	1
SCALE	NONE	SHEET 1 OF 1