

PLEASE CHECK WWW.MOLEX.COM FOR LATEST PART INFORMATION

Part Number: **0350449104**
Status: **Active**
Overview: Board-in Connectors
Description: 2.00/2.50mm Board-in Terminal, Pre-Tin Plating, Wire Insulation Diameter 1.90mm max.

Documents:

[Drawing \(PDF\)](#) [Packaging Specification PK-35044-001-001 \(PDF\)](#)
[Product Specification PS-35021-001-001 \(PDF\)](#) [RoHS Certificate of Compliance \(PDF\)](#)
[Product Specification PS-35516-001-001 \(PDF\)](#)

General

Product Family Crimp Terminals
Series 35044
Application Signal, Wire-to-Board
Crimp Quality Equipment Yes
Overview Board-in Connectors
Product Name Board-in
UPC 191128081443

Physical

Gender Male
Material - Metal Brass
Material - Plating Mating Tin
Material - Plating Termination Tin
Net Weight 0.030/g
Packaging Type Reel
Plating min - Mating 0.889µm
Plating min - Termination 0.889µm
Termination Interface: Style Crimp or Compression
Wire Insulation Diameter 1.90mm max.
Wire Size AWG 22, 24, 26, 28
Wire Size mm² N/A

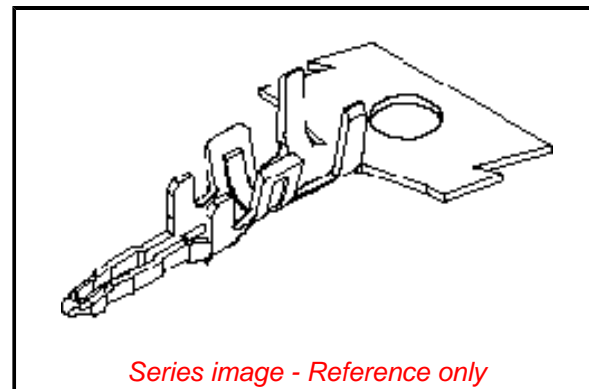
Electrical

Current - Maximum per Contact 2.5A
Voltage - Maximum 125V

Material Info

Reference - Drawing Numbers

Crimp Specification CS-35044-001-001
Packaging Specification PK-35044-001-001
Product Specification PS-35021-001-001, PS-35516-001-001
Sales Drawing SD-35044-001-001



EU ELV

Compliant

EU RoHS

Compliant

REACH SVHC

Not Contained Per -
D(2021)4569-DC (8
July 2021)

Halogen-Free

Status

Low-Halogen

For more information, please visit [Contact US](#)

China ROHS

ELV

RoHS Phthalates

China RoHS

Green Image

Compliant

Not Contained

Search Parts in this Series

35044 Series

Use With

35022 Housing

Application Tooling | FAQ

Tooling specifications and manuals are found by selecting the products below. Crimp Height Specifications are then contained in the Application Tooling Specification document.

Global

Description

Product #

T2 Terminator

638537100

Tooling Die

FineAdjust Applicator 638637100

Mouser Electronics

Authorized Distributor

Click to View Pricing, Inventory, Delivery & Lifecycle Information:

[Molex:](#)

[35044-9104](#)