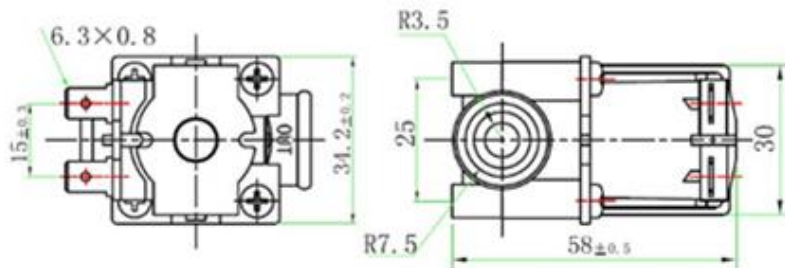


## 1/4" Female Thread Electric Solenoid Valve DC12V

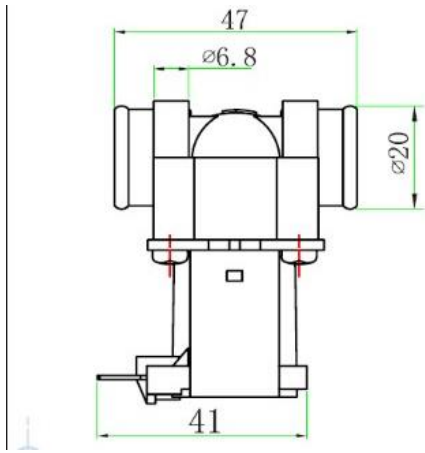


### Product Description

- ◆ Rated Voltage: DC12V
- ◆ Water Pressure Range: 0.02~0.8Mpa
- ◆ Working Life: > 100,000 times
- ◆ Mounting Spacing: 25x25mm
- ◆ Inlet: NPT1/4
- ◆ Outlet: NPT1/4



CLASSIFICATION			
Type	Single		
Geometry	180°		
WORKING SPECIFICATIONS			
Working pressure	0.02-0.8Mpa		
<b>Flow characteristic</b>			
0.02 (MPa)	0.1 (MPa)	0.3 (MPa)	0.8 (MPa)
>3.0L/min	>5.0L/min	>10L/min	<25L/min
Control	NC		
PHYSICAL SPECIFICATIONS			



Valve body	POM
Diaphragm	EPDM
Core	Stainless Steel
Spring	Stainless Steel
Assembly	Screw
<b>HYDRAULIC CONNECTIONS</b>	
Inlet	NPT 1/4"
Outlet	NPT 1/4"
<b>ELECTRICAL CONNECTIONS</b>	
Electric connect	Male Faston 6.3x0.8mm