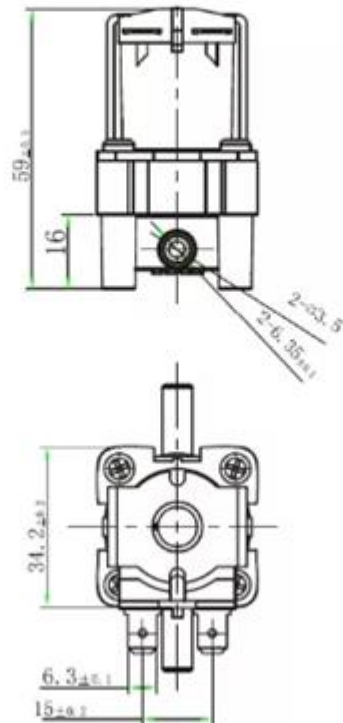
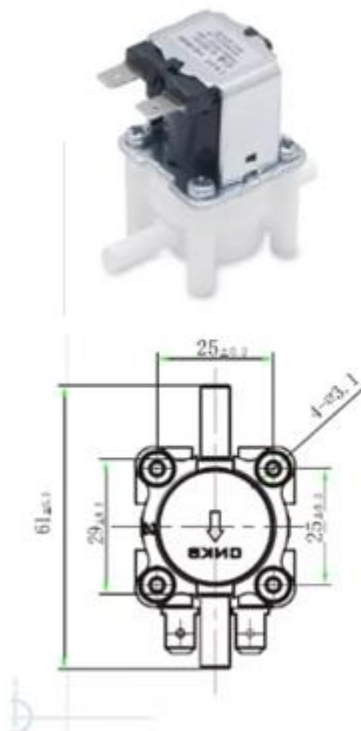


1/4" , 3/8" OD Pipe Electric Solenoid Valve

- ◆ Rated Voltage: DC12V
- ◆ Water Pressure Range: 0.02~0.8Mpa
- ◆ Working Life: > 100,000 times
- ◆ Mounting Spacing: 25x25mm



DETAILED IMAGE



CLASSIFICATION			
Type	Single		
Geometry	180°		
WORKING SPECIFICATIONS			
Working pressure	0.02-0.8Mpa		
Room temperature	0-60°C		
Flow characteristic			
0.02 (MPa)	0.1 (MPa)	0.3 (MPa)	0.8 (MPa)
>3.0L/min	>5.0L/min	>10L/min	<20L/min
PHYSICAL SPECIFICATIONS			
Valve body	PPSU		
Diaphragm	EPDM		
Core	Stainless Steel		
Spring	Stainless Steel		
Assembly	Screw		
HYDRAULIC CONNECTIONS			
Inlet	6.3mm Hose tail		
Outlet	6.3mm Hose tail		
ELECTRICAL CONNECTIONS			
Electric connect	Male Faston 6.3x0.8mm		