

Click [here](#) for production status of specific part numbers.

MAX9634

General Description

The MAX9634 high-side current-sense amplifier offers precision accuracy specifications of V_{OS} less than $250\mu\text{V}$ (max) and gain error less than 0.5% (max). Quiescent supply current is an ultra-low $1\mu\text{A}$. The MAX9634 fits in a tiny, $1\text{mm} \times 1\text{mm}$ UCSP™ package size or a 5-pin SOT23 package, making the part ideal for applications in notebook computers, cell phones, PDAs, and all battery-operated portable devices where accuracy, low quiescent current, and small size are critical.

The MAX9634 features an input common-mode voltage range from 1.6V to 28V. These current-sense amplifiers have a voltage output and are offered in four gain versions: 25V/V (MAX9634T), 50V/V (MAX9634F), 100V/V (MAX9634H), and 200V/V (MAX9634W).

The four gain selections offer flexibility in the choice of the external current-sense resistor. The very low $250\mu\text{V}$ (max) input offset voltage allows small 25mV to 50mV full-scale V_{SENSE} voltage for very low voltage drop at full-current measurement.

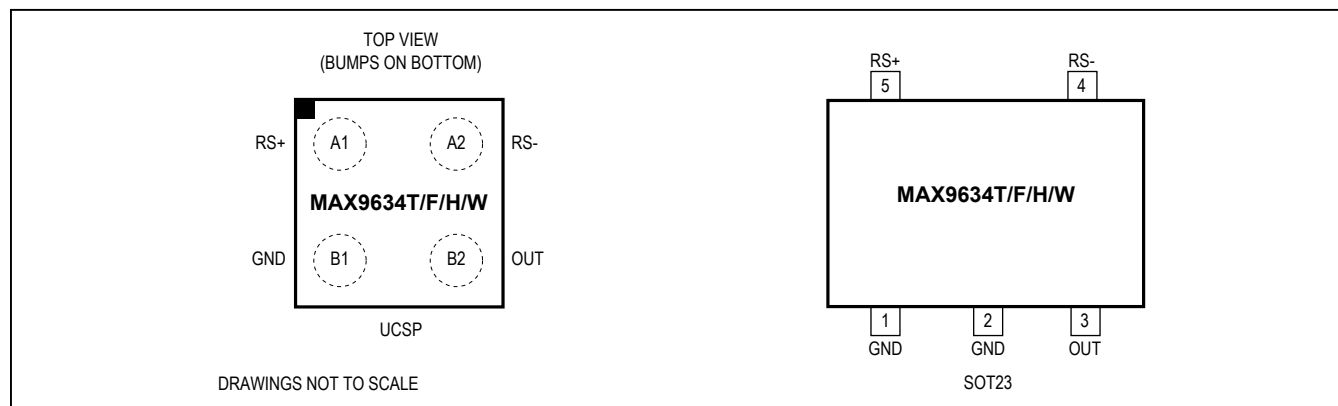
The MAX9634 is offered in tiny 4-bump UCSP ($1\text{mm} \times 1\text{mm}$ footprint) and 5-pin SOT23 packages.

Applications

- Cell Phones
- PDAs
- Power-Management Systems
- Portable/Battery-Powered Systems
- Notebook Computers

UCSP is a trademark of Maxim Integrated Products, Inc.

Pin Configurations



nanoPower, 4-Bump UCSP/SOT23, Precision Current-Sense Amplifier

Benefits and Features

- Ultra-Low Supply Current of $1\mu\text{A}$ (max)
- Low $250\mu\text{V}$ (max) Input Offset Voltage
- Low $< 0.5\%$ (max) Gain Error
- Input Common Mode: +1.6V to +28V
- Voltage Output
- Four Gain Versions Available
 - 25V/V (MAX9634T)
 - 50V/V (MAX9634F)
 - 100V/V (MAX9634H)
 - 200V/V (MAX9634W)
- Tiny $1\text{mm} \times 1\text{mm} \times 0.6\text{mm}$, 4-Bump UCSP or 5-Pin SOT23 Packages

Ordering Information

PART	PIN-PACKAGE	GAIN (V/V)	TOP MARK
MAX9634TERS+	4 UCSP	25	+ABX
MAX9634FERS+	4 UCSP	50	+ABY
MAX9634HERS+	4 UCSP	100	+ABZ
MAX9634WERS+	4 UCSP	200	+ACA
MAX9634TEUK+	5 SOT23	25	+AFHG
MAX9634FEUK+	5 SOT23	50	+AFHH
MAX9634HEUK+	5 SOT23	100	+AFHI
MAX9634WEUK+	5 SOT23	200	+AFHJ

+Denotes a lead(Pb)-free/RoHS-compliant package.

Note: All devices except for the MAX9634FEUK+ are specified over the -40°C to $+85^{\circ}\text{C}$ extended temperature range. The MAX9634FEUK+ is specified over the -40°C to $+125^{\circ}\text{C}$ automotive temperature range.

Absolute Maximum Ratings

RS+, RS- to GND-0.3V to +30V
 OUT to GND-0.3V to +6V
 RS+ to RS-±30V
 Short-Circuit Duration: OUT to GND Continuous
 Continuous Input Current (any pin) ±20mA
 Continuous Power Dissipation (T_A = +70°C)
 4-Bump UCSP (derate 11.40mW/°C above +70°C) ... 915.23mW
 5-Pin SOT23 (derate 3.9mW/°C above +70°C)312mW

Operating Temperature Range -40°C to +85°C
 Operating Temperature Range (MAX9634FEUK+)
 -40°C to +125°C
 Junction Temperature +150°C
 Storage Temperature Range -65°C to +150°C
 Lead Temperature (soldering, 10s) +300°C
 Soldering Temperature (reflow) +260°C

Stresses beyond those listed under "Absolute Maximum Ratings" may cause permanent damage to the device. These are stress ratings only, and functional operation of the device at these or any other conditions beyond those indicated in the operational sections of the specifications is not implied. Exposure to absolute maximum rating conditions for extended periods may affect device reliability.

Electrical Characteristics

(V_{RS+} = V_{RS-} = 3.6V, V_{SENSE} = (V_{RS+} - V_{RS-}) = 0V, T_A = -40°C to +85°C, T_A (MAX9634FEUK+) = -40°C to +125°C, unless otherwise noted. Typical values are at T_A = +25°C.) (Note 1)

PARAMETER	SYMBOL	CONDITIONS	MIN	TYP	MAX	UNITS
Supply Current (Note 2)	I _{CC}	MAX9634T/MAX9634H/ MAX9634W	V _{RS+} = 5V, T _A = +25°C	0.5	0.85	μA
			V _{RS+} = 5V, -40°C < T _A < +85°C		1.1	
			V _{RS+} = 28V, T _A = +25°C	1.1	1.8	
			V _{RS+} = 28V, -40°C < T _A < +85°C		2.5	
		MAX9634F	V _{RS+} = 5V, T _A = +25°C	0.5	0.85	
			V _{RS+} = 5V, -40°C < T _A < +125°C		1.1	
			V _{RS+} = 28V, T _A = +25°C	1.1	1.8	
			V _{RS+} = 28V, -40°C < T _A < +125°C		2.5	
Common-Mode Input Range	V _{CM}	MAX9634T/MAX9634H/ MAX9634W	Guaranteed by CMRR, -40°C < T _A < +85°C	1.6	28	V
		MAX9634F	Guaranteed by CMRR, -40°C < T _A < +125°C			
Common-Mode Rejection Ratio	CMRR	MAX9634T/MAX9634H/ MAX9634W	1.6V < V _{RS+} < 28V, -40°C < T _A < +85°C	94	130	dB
		MAX9634F	1.6V < V _{RS+} < 28V, -40°C < T _A < +125°C			

Electrical Characteristics (continued)

($V_{RS+} = V_{RS-} = 3.6V$, $V_{SENSE} = (V_{RS+} - V_{RS-}) = 0V$, $T_A = -40^{\circ}C$ to $+85^{\circ}C$, T_A (MAX9634FEUK+) = $-40^{\circ}C$ to $+125^{\circ}C$, unless otherwise noted. Typical values are at $T_A = +25^{\circ}C$.) (Note 1)

PARAMETER	SYMBOL	CONDITIONS		MIN	TYP	MAX	UNITS
Input Offset Voltage (Note 3)	V_{OS}	MAX9634T/MAX9634F/ MAX9634H	$T_A = +25^{\circ}C$		100	250	μV
			$-40^{\circ}C < T_A < +85^{\circ}C$			300	
		MAX9634W	$T_A = +25^{\circ}C$		100	250	
			$-40^{\circ}C < T_A < +85^{\circ}C$			425	
Gain	G	MAX9634T			25		V/V
		MAX9634F			50		
		MAX9634H			100		
		MAX9634W			200		
Gain Error (Note 4)	GE	MAX9634T/MAX9634F/ MAX9634H	$T_A = +25^{\circ}C$		± 0.1	± 0.5	%
			$-40^{\circ}C < T_A < +85^{\circ}C$			± 0.6	
		MAX9634W	$T_A = +25^{\circ}C$		± 0.1	± 0.7	
			$-40^{\circ}C < T_A < +85^{\circ}C$			± 0.8	
Output Resistance (Note 5)	R_{OUT}	MAX9634T/MAX9634F/MAX9634H		7.0	10	13.2	k Ω
		MAX9634W		14.0	20	26.4	
OUT Low Voltage	V_{OL}	Gain = 25			1.5	7.5	mV
		Gain = 50			3	15	
		Gain = 100			6	30	
		Gain = 200			12	85	
OUT High Voltage (Note 6)	V_{OH}	MAX9634T/MAX9634H/ MAX9634W	$V_{OH} = V_{RS-} - V_{OUT}$, $-40^{\circ}C < T_A < +85^{\circ}C$		0.1	0.2	V
		MAX9634F	$V_{OH} = V_{RS-} - V_{OUT}$, $-40^{\circ}C < T_A < +125^{\circ}C$		0.1	0.36	
Small-Signal Bandwidth (Note 5)	BW	$V_{SENSE} = 50mV$, gain = 25			125		kHz
		$V_{SENSE} = 50mV$, gain = 50			60		
		$V_{SENSE} = 50mV$, gain = 100			30		
		$V_{SENSE} = 50mV$, gain = 200			15		
Output Settling Time	t_S	1% final value, $V_{SENSE} = 50mV$			100		μs

Note 1: All devices are 100% production tested at $T_A = +25^{\circ}C$. All temperature limits are guaranteed by design.

Note 2: $V_{OUT} = 0$. I_{CC} is the total current into $RS+$ plus $RS-$ pins.

Note 3: V_{OS} is extrapolated from measurements for the gain-error test.

Note 4: Gain error is calculated by applying two values of V_{SENSE} and calculating the error of the slope vs. the ideal:

Gain = 25, V_{SENSE} is 20mV and 120mV.

Gain = 50, V_{SENSE} is 10mV and 60mV.

Gain = 100, V_{SENSE} is 5mV and 30mV.

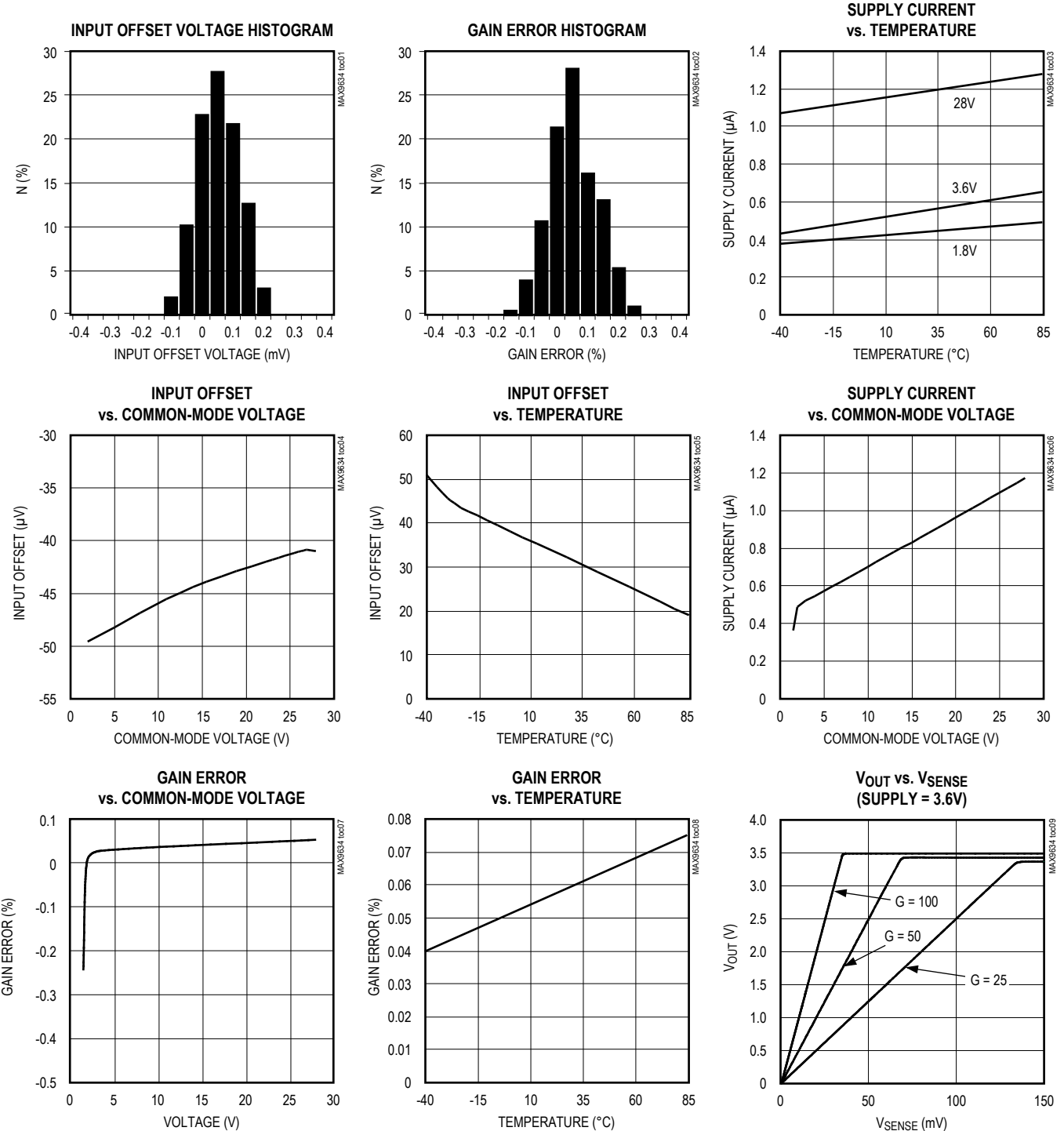
Gain = 200, V_{SENSE} is 2.5mV and 15mV.

Note 5: The device is stable for any external capacitance value.

Note 6: V_{OH} is the voltage from V_{RS-} to V_{OUT} with $V_{SENSE} = 3.6V/gain$.

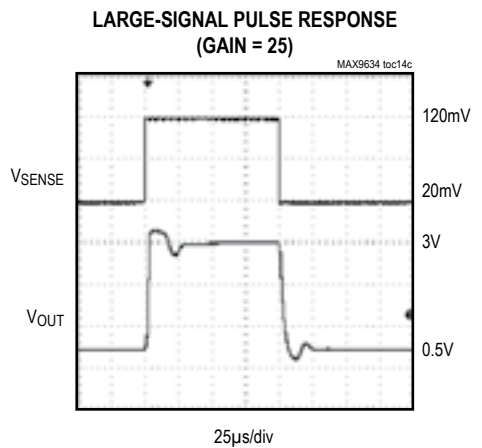
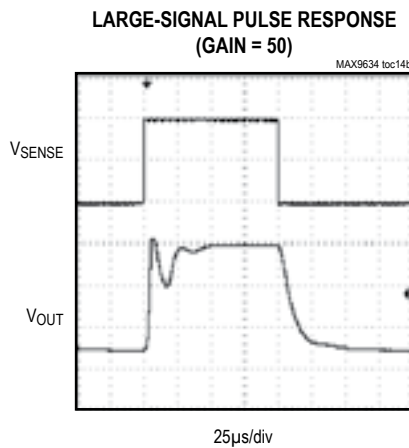
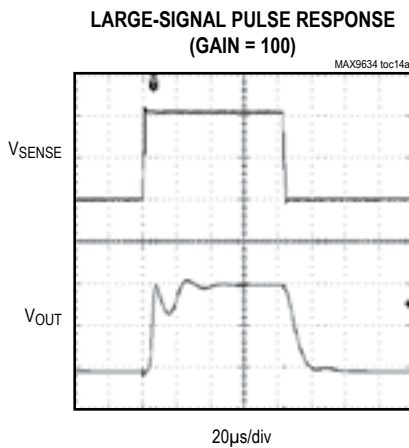
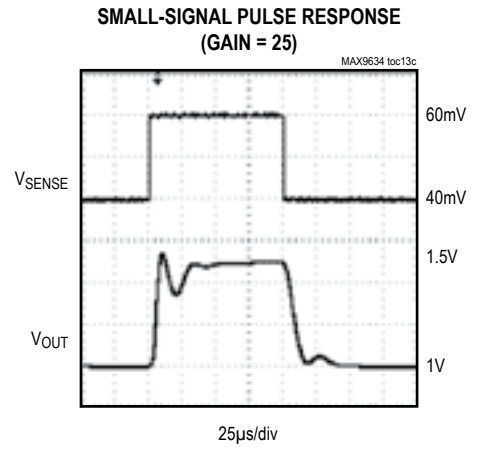
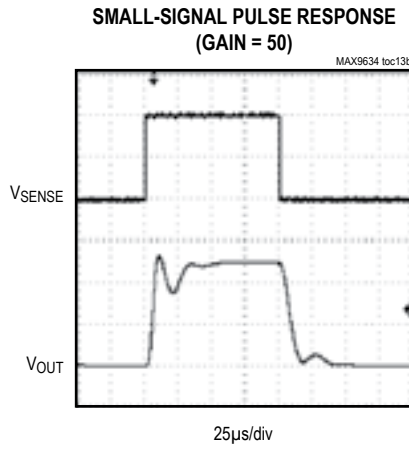
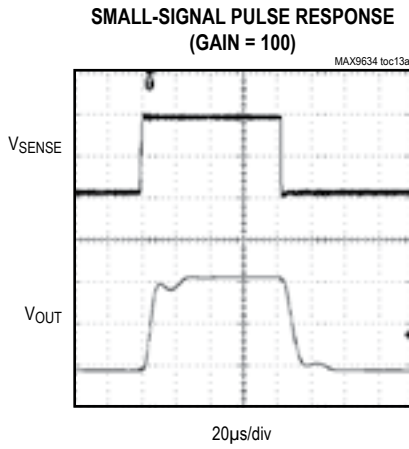
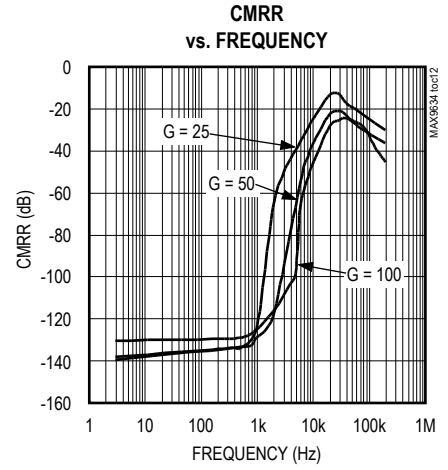
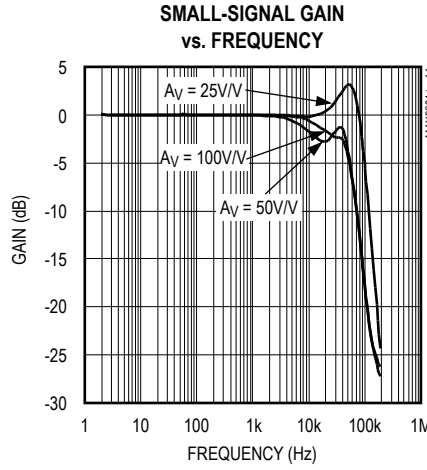
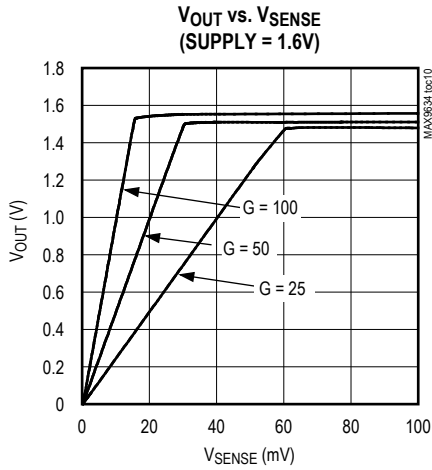
Typical Operating Characteristics

($V_{RS+} = V_{RS-} = 3.6V$, $T_A = +25^{\circ}C$, unless otherwise noted.)



Typical Operating Characteristics (continued)

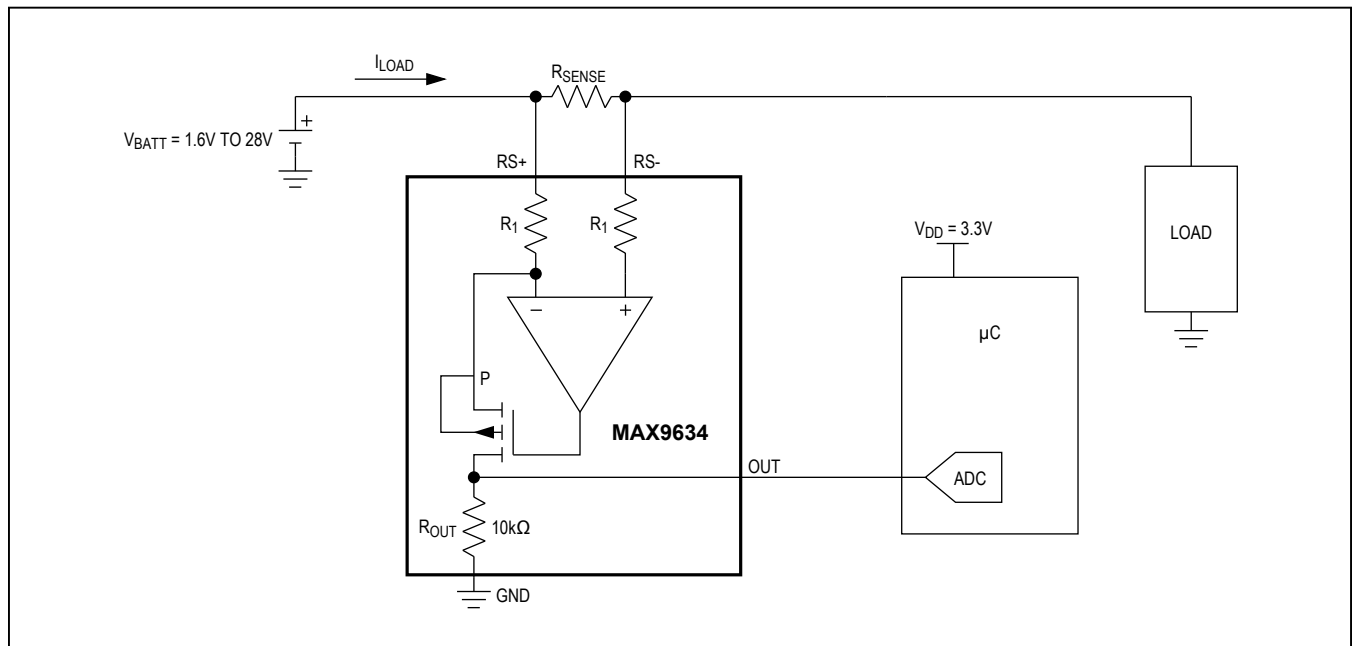
($V_{RS+} = V_{RS-} = 3.6V$, $T_A = +25^{\circ}C$, unless otherwise noted.)



Pin Description

PIN		NAME	FUNCTION
UCSP	SOT23		
A1	5	RS+	External Sense Resistor Power-Side Connection
A2	4	RS-	External Sense Resistor Load-Side Connection
B1	1, 2	GND	Ground
B2	3	OUT	Output Voltage. V_{OUT} is proportional to $V_{SENSE} = V_{RS+} - V_{RS-}$.

Typical Operating Circuit



Detailed Description

The MAX9634 unidirectional high-side, current-sense amplifier features a 1.6V to 28V input common-mode range. This feature allows the monitoring of current out of a battery with a voltage as low as 1.6V. The MAX9634 monitors current through a current-sense resistor and amplifies the voltage across that resistor.

The MAX9634 is a unidirectional current-sense amplifier that has a well-established history. An op amp is used to force the current through an internal gain resistor at RS+, which has a value of R₁, such that its voltage drop equals the voltage drop across an external sense resistor, R_{SENSE}. There is an internal resistor at RS- with the same value as R₁ to minimize offset voltage. The current through R₁ is sourced by a high-voltage p-channel FET. Its source current is the same as its drain current, which flows through a second gain resistor, R_{OUT}. This produces an output voltage, V_{OUT}, whose magnitude is I_{LOAD} × R_{SENSE} × R_{OUT}/R₁. The gain accuracy is based on the matching of the two gain resistors R₁ and R_{OUT} (see [Table 1](#)). Total gain = 25V/V for the MAX9634T, 50V/V for the MAX9634F, 100V/V for the MAX9634H, and 200V/V for the MAX9634W. The output is protected from input overdrive by use of an output current-limiting circuit of 7mA (typical) and a 6V clamp protection circuit.

Applications Information

Choosing the Sense Resistor

Choose R_{SENSE} based on the following criteria:

Voltage Loss

A high R_{SENSE} value causes the power-source voltage to drop due to IR loss. For minimal voltage loss, use the lowest R_{SENSE} value.

OUT Swing vs. V_{RS+} and V_{SENSE}

The MAX9634 is unique because the supply voltage is the input common-mode voltage (the average voltage at RS+ and RS-). There is no separate V_{CC} supply voltage

Table 1. Internal Gain-Setting Resistors (Typical Values)

GAIN (V/V)	R ₁ (Ω)	R _{OUT} (kΩ)
200	100	20
100	100	10
50	200	10
25	400	10

pin. Therefore, the OUT voltage swing is limited by the minimum voltage at RS+.

$V_{OUT}(\max) = V_{RS+}(\min) - V_{SENSE}(\max) - V_{OH}$
and:

$$R_{SENSE} = \frac{V_{OUT}(\max)}{G \times I_{LOAD}(\max)}$$

V_{SENSE} full scale should be less than V_{OUT}/GAIN at the minimum RS+ voltage. For best performance with a 3.6V supply voltage, select R_{SENSE} to provide approximately 120mV (gain of 25V/V), 60mV (gain of 50V/V), 30mV (gain of 100V/V), or 15mV (gain of 200V/V) of sense voltage for the full-scale current in each application. These can be increased by use of a higher minimum input voltage.

Accuracy

In the linear region (V_{OUT} < V_{OUT}(max)), there are two components to accuracy: input offset voltage (V_{OS}) and gain error (GE). For the MAX9634, V_{OS} = 250μV (max) and gain error is 0.5% (max). Use the linear equation:

$$V_{OUT} = (\text{gain} \pm \text{GE}) \times V_{SENSE} \pm (\text{gain} \times V_{OS})$$

to calculate total error. A high R_{SENSE} value allows lower currents to be measured more accurately because offsets are less significant when the sense voltage is larger.

Efficiency and Power Dissipation

At high current levels, the I²R losses in R_{SENSE} can be significant. Take this into consideration when choosing the resistor value and its power dissipation (wattage) rating. Also, the sense resistor's value might drift if it is allowed to heat up excessively. The precision V_{OS} of the MAX9634 allows the use of small sense resistors to reduce power dissipation and reduce hot spots.

Kelvin Connections

Because of the high currents that flow through R_{SENSE}, take care to eliminate parasitic trace resistance from causing errors in the sense voltage. Either use a four-terminal current-sense resistor or use Kelvin (force and sense) PCB layout techniques.

Optional Output Filter Capacitor

When designing a system that uses a sample-and-hold stage in the ADC, the sampling capacitor momentarily loads OUT and causes a drop in the output voltage. If sampling time is very short (less than a microsecond), consider using a ceramic capacitor across OUT and GND to hold V_{OUT} constant during sampling. This also decreases the small-signal bandwidth of the current-sense amplifier and reduces noise at OUT.

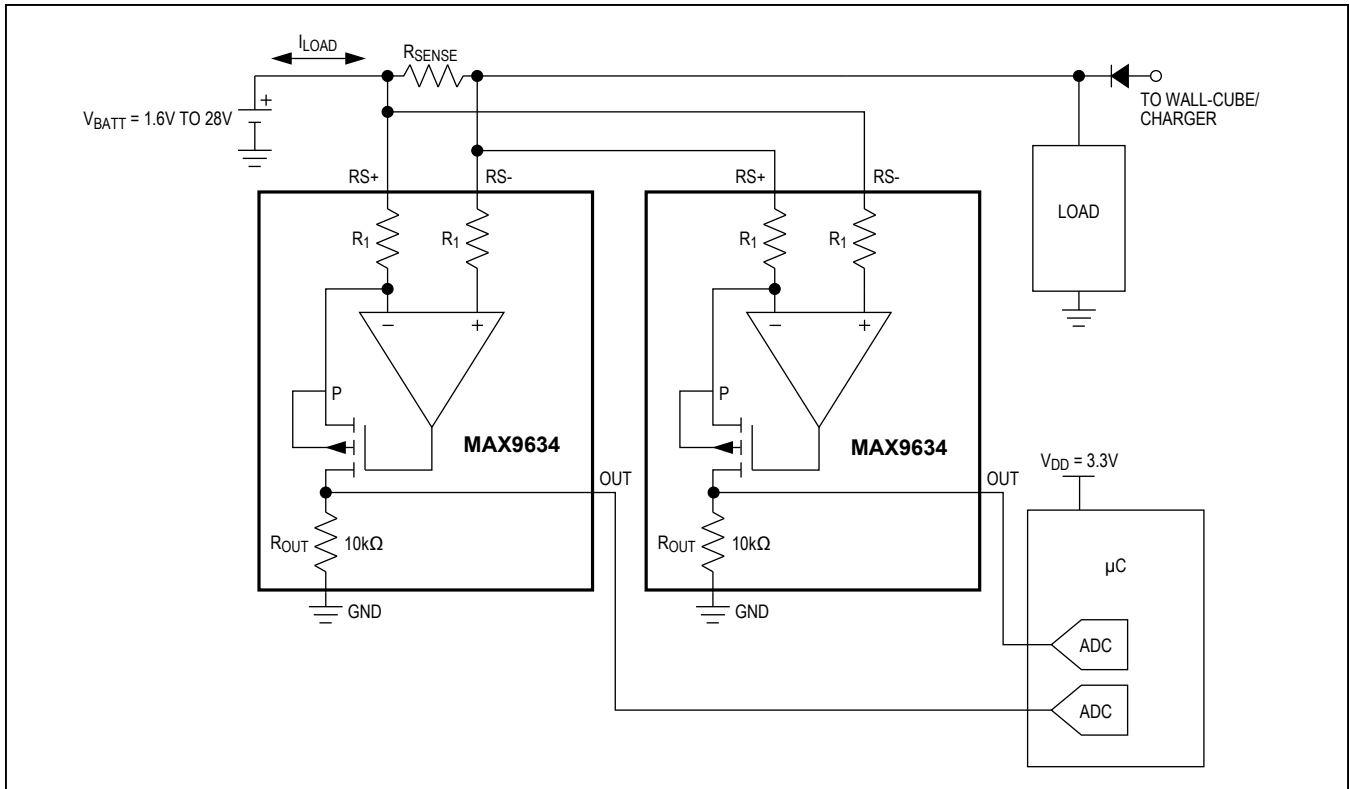


Figure 1. Bidirectional Application

Bidirectional Application

Battery-powered systems may require a precise bidirectional current-sense amplifier to accurately monitor the battery's charge and discharge currents. Measurements of the two separate outputs with respect to GND yields an accurate measure of the charge and discharge currents, respectively (Figure 1).

UCSP Applications Information

For the latest application details on UCSP construction, dimensions, tape carrier information, PCB techniques, bump-pad layout, and recommended reflow temperature profile, as well as the latest information on reliability testing results, refer to Application Note [1891: Wafer-Level Packaging \(WLP\) and Its Applications](#).

Chip Information

PROCESS: BiCMOS

Package Information

For the latest package outline information and land patterns (footprints), go to www.maximintegrated.com/packages. Note that a "+", "#", or "-" in the package code indicates RoHS status only. Package drawings may show a different suffix character, but the drawing pertains to the package regardless of RoHS status.

PACKAGE TYPE	PACKAGE CODE	OUTLINE NO.	LAND PATTERN NO.
2 x 2 UCSP	R41A1+1	21-0242	—
5 SOT23	U5-2	21-0057	90-0174

Revision History

REVISION NUMBER	REVISION DATE	DESCRIPTION	PAGES CHANGED
0	10/09	Initial release	—
1	2/10	Corrected gain error limits in <i>Electrical Characteristics</i> table	2
2	8/10	Removed Power-Up Time parameter	3
3	3/17	Updated title to include “nanoPower” and updated package outline drawing	1–11
4	7/19	Updated TOC04 and TOC05	4
5	5/20	Updated <i>General Description</i> , <i>Ordering Information</i> note, <i>Absolute Maximum Ratings</i> , and <i>Electrical Characteristics</i> table; fixed links	1, 2, 3
6	7/21	Updated <i>Absolute Maximum Ratings</i>	2

For pricing, delivery, and ordering information, please visit Maxim Integrated's online storefront at <https://www.maximintegrated.com/en/storefront/storefront.html>.

Maxim Integrated cannot assume responsibility for use of any circuitry other than circuitry entirely embodied in a Maxim Integrated product. No circuit patent licenses are implied. Maxim Integrated reserves the right to change the circuitry and specifications without notice at any time. The parametric values (min and max limits) shown in the *Electrical Characteristics* table are guaranteed. Other parametric values quoted in this data sheet are provided for guidance.

Mouser Electronics

Authorized Distributor

Click to View Pricing, Inventory, Delivery & Lifecycle Information:

Maxim Integrated:

[MAX9634FERS+T](#) [MAX9634FEUK+T](#) [MAX9634HERS+T](#) [MAX9634HEUK+T](#) [MAX9634TERS+T](#) [MAX9634TEUK+T](#)
[MAX9634WERS+T](#) [MAX9634WEUK+T](#)