

M83723/70 Series III Quick-Disconnect Receptacle Adapter



MIL-DTL-83723

Basic Part Number

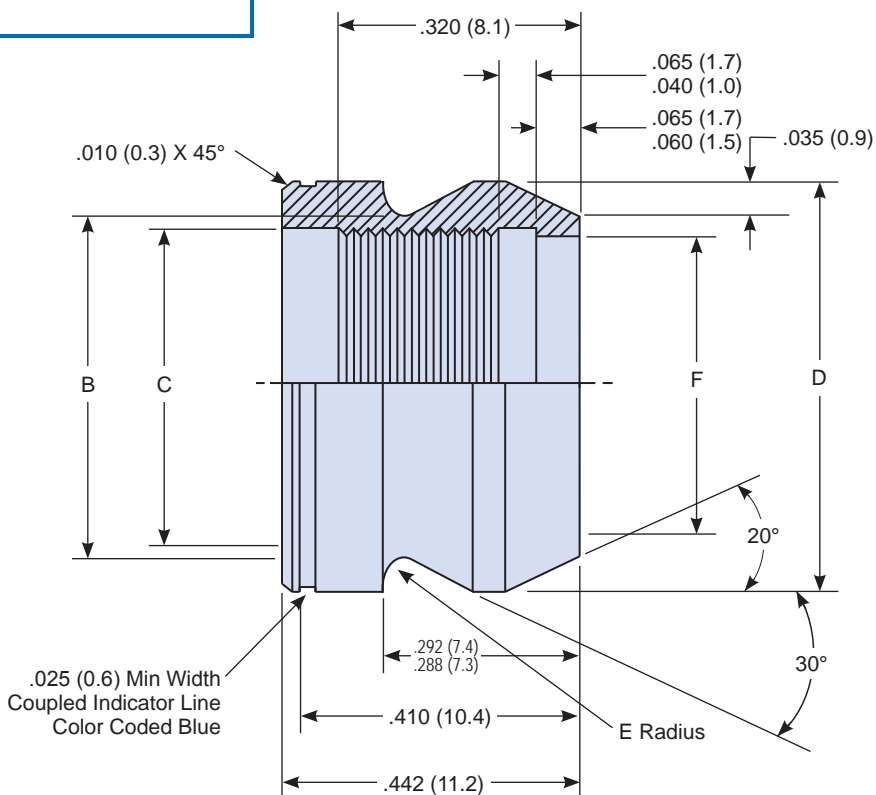
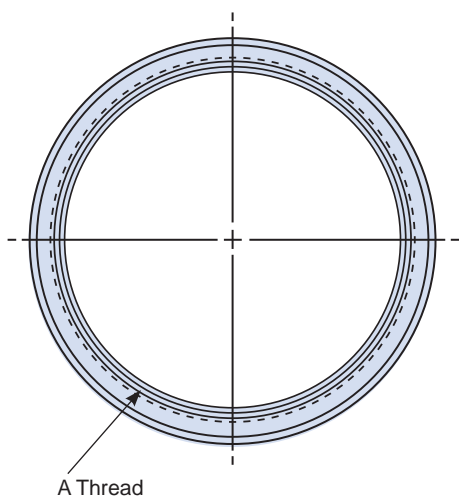
M83723/70

Dash No.

W 22

Material and Finish

- A = Aluminum, Black Anodize*
- R = Aluminum, Electroless Nickel*
- G = Corrosion-Resistant Steel Passivate*
- W = Aluminum, Cadmium Olive Drab over Electroless Nickel*



APPLICATION NOTES

1. Dimensions are in inches and apply after plating.
2. Metric equivalents are in parentheses and given for information only.
3. Unless otherwise specified, tolerances shall be $\pm .005$ (0.13) for three decimal places, $\pm .01$ (0.25) for two decimal places and $\pm 1/2^\circ$ for all angles.
4. Coupling indicator line shall be color coded blue and $.025 \pm .010$ (0.64 \pm 0.25) wide.

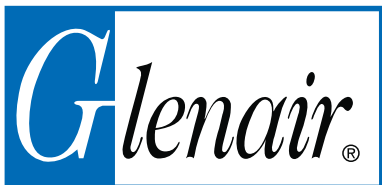
Dimensions in inches (millimeters) and are subject to change without notice.

© 2013 Glenair, Inc.

U.S. CAGE Code 06324

Printed in U.S.A.

GLENAIR, INC. • 1211 AIR WAY • GLENDALE, CA 91201-2497 • 818-247-6000 • FAX 818-500-9912
www.glenair.com E-9 E-Mail: sales@glenair.com



M83723/70 Straight Adapter

TABLE I: Shell Size, Thread, Teeth and Dimensions

Shell Size	A Coupling Thread UNEF-2B	B Dia	C Dia	D Dia	E Radius	F Dia
8	.5625-24	.607 (15.42)	.579 (14.71)	.689 (17.50)	.036 (0.91)	.525 (13.34)
		.603 (15.32)	.575 (14.61)	.685 (17.40)	.031 (0.79)	
10	.6875-24	.732 (18.59)	.714 (18.14)	.814 (20.68)	.036 (0.91)	.650 (16.51)
		.728 (18.49)	.710 (18.03)	.810 (20.57)	.031 (0.79)	
12	.875-20	.918 (23.34)	.894 (22.71)	1.001 (25.43)	.036 (0.91)	.840 (21.34)
		.915 (23.24)	.890 (22.61)	.997 (25.32)	.031 (0.79)	
14	.9375-20	.982 (24.94)	.954 (24.23)	1.064 (27.03)	.036 (0.91)	.900 (22.86)
		.978 (24.84)	.950 (24.13)	1.060 (26.92)	.031 (0.79)	
16	1.0625-18	1.107 (28.12)	1.079 (27.41)	1.189 (30.20)	.036 (0.91)	1.025 (26.04)
		1.103 (28.02)	1.075 (27.31)	1.185 (30.10)	.031 (0.79)	
18	1.1875-18	1.232 (31.29)	1.204 (30.58)	1.330 (33.78)	.044 (1.12)	1.150 (29.21)
		1.228 (31.19)	1.200 (30.48)	1.326 (33.68)	.039 (0.99)	
20	1.3125-18	1.357 (34.47)	1.329 (33.76)	1.455 (36.96)	.044 (1.12)	1.275 (32.39)
		1.353 (34.37)	1.325 (33.66)	1.451 (36.86)	.039 (0.99)	
22	1.4375-18	1.482 (37.64)	1.454 (36.93)	1.580 (40.13)	.044 (1.12)	1.400 (35.56)
		1.478 (37.54)	1.450 (36.83)	1.576 (40.03)	.039 (0.99)	
24	1.5625-18	1.607 (40.82)	1.579 (40.11)	1.705 (43.31)	.044 (1.12)	1.525 (38.74)
		1.603 (40.72)	1.575 (40.01)	1.701 (43.21)	.039 (0.99)	

Dimensions in inches (millimeters) and are subject to change without notice.