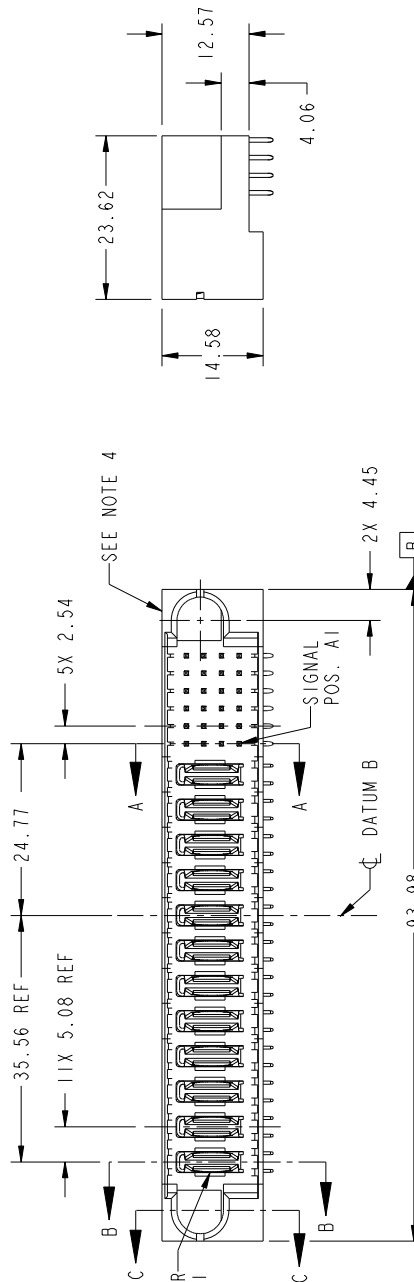


Tous droits strictement réservés. Reproduction ou communication à des tiers interdite sous quelque forme que ce soit sans autorisation écrite du propriétaire. Property of FCI. Copyright FCI. Droits de reproduction FCI.



All rights strictly reserved. Reproduction or issue to third parties in any form whatever is not permitted. Reproduction or issue to third parties in any form whatever is not permitted. Copyright FCI.

PRODUCT NO.	ROWS			POWER												SIGNAL								
	D	C	B	A	P1	P2	P3	P4	P5	P6	P7	P8	P9	P10	P11	P12	1	2	3	4	5	6	E2	
51939-486-- NOTE 3					PA	PA	PA	PA	PA	PA	PA	PA	PA	PA	PA	PA	UUUUHH	TTTTGG	SSSSFF	RRRRLL				

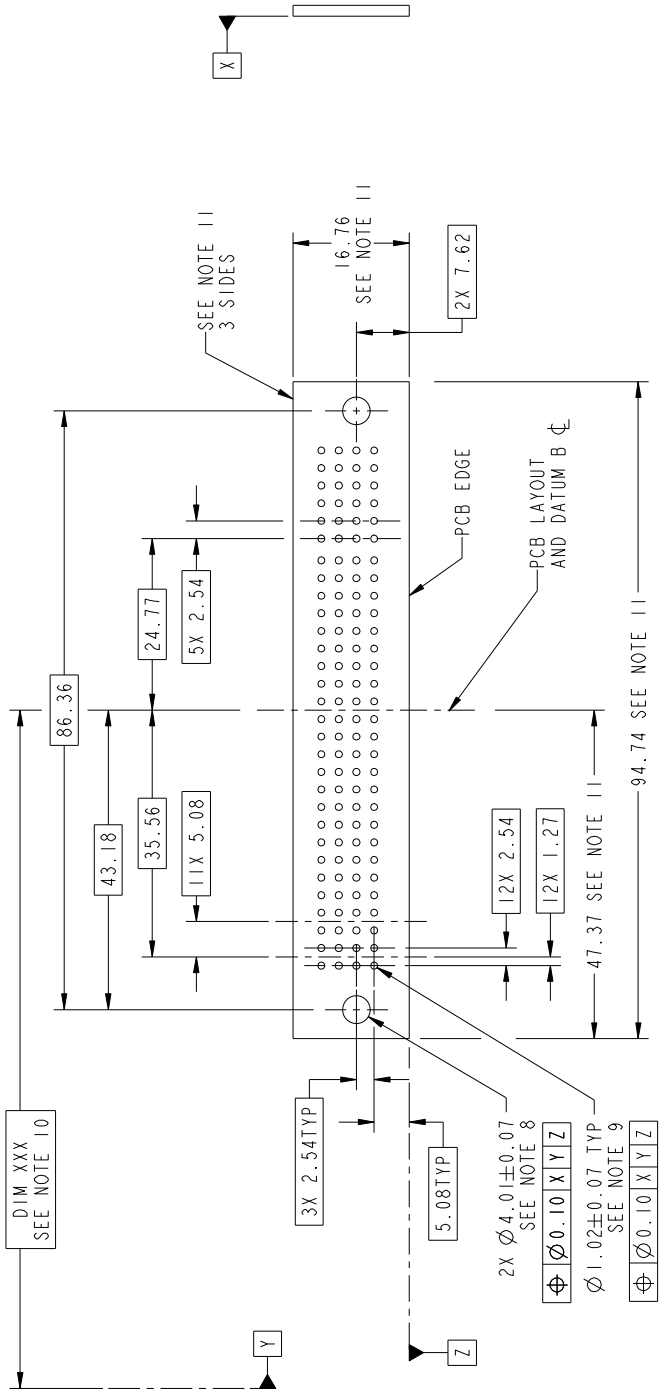


CODE	DIM "M" MATING LENGTH	CONTACT TYPE
U	[6.86]	SIGNAL
T	[6.86]	SIGNAL
S	[6.86]	SIGNAL
R	[6.86]	SIGNAL
PA	[N/A]	POWER
H	[5.59]	SIGNAL
G	[5.59]	SIGNAL
F	[5.59]	SIGNAL
E	[5.59]	SIGNAL

mat'l code		SEE NOTE		tolerances unless otherwise specified		CUSTOMER		FCI	
ltr	ecn no.	dr	date			copy	projection	title	www.fciconnect.com
A	D609-0365	WD	11/21/09	linear	0.X ±0.5		1st angle	12P + 24S RIGHT ANGLE SOLDER HEADER	
				angles	0.XXX ±0.1		MM	product family	PwrBlade
				dr	0° ±2°			size	213
				engr	WARREN DU	11/10/09		sheet	1 of 4
				chr	PM ZHENG	11/10/09		code	
				appd	JOSEPH HSIA	11/10/09		scale	1:1
sheet index	revision	sheet	1	A	A	A			
			2	A	A	A			
			3	A	A	A			
			4	A	A	A			
								Pro/E	
								3	
								4	
								cage code	22526



PRODUCT NUMBER  
51939-486--  
NOTE: 3



RECOMMENDED PCB LAYOUT

mat'l code		SEE NOTE		tolerances unless otherwise specified		CUSTOMER		FCJ		www.fcjconnect.com	
lfr	ecrn no.	dr	date	linear	0.X ±0.5	projection	COPY	title	12P + 24S		
A				angles	0.XX ±0.25			RIGHT ANGLE SOLDER HEADER	product family		
				dr	0.XXX ±0.1				PwrBl code		
				engr	0° ±2°				size		
				appr					2 13		
									sheet		
									3 of 4		
sheet index	revision	sheet		scale	1:1				A		
									51939-486		
									cage code		
									22526		
									3		
									4		
									Pro/E		

Tous droits strictement réservés. Reproduction ou communication a des tiers interdite sous quelque forme que ce soit sans autorisation écrite du propriétaire. Propriété de c.FCI. Droits de reproduction FCI.



All rights strictly reserved. Reproduction or issue to third parties in any form whatever is not permitted without written authority from the proprietor. Property of FCI. Copyright FCI.

1 | 2

3 |

4

## PRODUCT NUMBER

51939-486--  
NOTE: 3

## NOTES:

1. DIMENSIONS AND TOLERANCES ARE IN ACCORDANCE WITH ASME Y14.5M, 1994 UNLESS OTHERWISE SPECIFIED.

## CONNECTOR NOTES:

2. HOUSING MATERIAL: UL 94 V-0 GLASS FILLED HIGH-TEMP THERMOPLASTIC  
POWER CONTACT MATERIAL: COPPER ALLOY  
SIGNAL PIN MATERIAL: COPPER ALLOY

3. PLATING:  
SEE ITEM 1 & 2 IN PRINT 10064183 FOR PLATING SPEC OF 51939-486 AND 51939-486LF RESPECTIVELY.

4. MANUFACTURER'S NAME, DATE CODE AND OPTIONAL P/N TO APPEAR ON THIS SURFACE. THE P/N CAN BE OMITTED IF THERE IS NOT ENOUGH SPACE ON THIS SURFACE.

5. PRODUCT SPECIFICATION GS-12-149.  
APPLICATION SPECIFICATION BUS-20-067.

6. PACKAGED IN TRAYS.

## PCB NOTES:

7. ALL HOLE DIAMETERS ARE FINISHED HOLE SIZE.

8. MOUNTING HOLES, WHERE APPLICABLE, ARE UNPLATED.

9.  $\varnothing 1.151 \pm 0.025$  DRILLED HOLES PLATED WITH 0.008 MIN SnPb OR Sn OVER 0.03 TO 0.08 Cu PLATING TO ACHIEVE  $\varnothing 1.02 \pm 0.07$  HOLE.

10. "DIM XXX" TO BE DETERMINED BY THE CUSTOMER.

11. CONNECTOR KEEP-OUT ZONE.

Tous droits strictement réservés. Reproduction ou communication à des tiers interdite sous quelque forme que ce soit sans autorisation écrite du propriétaire. Propriété de c.FCI. Droits de reproduction FCI.



All rights strictly reserved. Reproduction or issue to third parties in any form whatever is not permitted without written authority from the proprietor. Property of FCI. Copyright FCI.

mat'l code		SEE NOTE		tolerances unless otherwise specified		CUSTOMER		FCI	
ltr	ecr no.	dr	date	linear	angular	projection	copy	title	www.fciconnect.com
A				$0.X \pm 0.5$	$0.XXX \pm 0.1$	$0.XXX \pm 0.25$		RIGHT ANGLE SOLDER HEADER	
				$0^\circ \pm 2^\circ$				product family	
				dr	dr	dr	MM	dwg no	PwrBl code
				enrg	enrg	enrg		size	code
				chr	chr	chr		A	213
				appd	appd	appd		sheet	4 of 4
sheet index	revision	sheet						1:1	
								51939-486	
								code	22526
								4	

1 | 2

3 |

4