



Quality Advisory

Part Number: VEMD4010X01 / VEMD4110X01 / VEMD4200FX01

11 October 2022

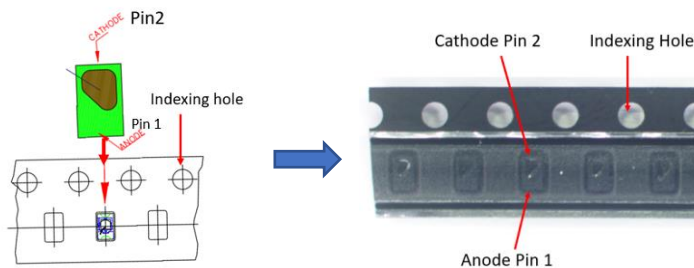
Subject: Part Number VEMD4010X01 / VEMD4110X01 / VEMD4200FX01 Unit Orientation

Dear Valued Customer:

Vishay Semiconductor Malaysia S/B would like to extend this quality notice regarding the orientation of the components in the carrier tape, which is different from that indicated in the datasheet.

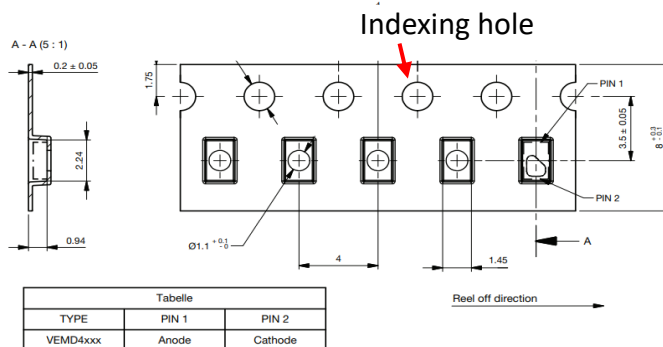
We would like to standardize the indication of component orientation in the datasheet by aligning it with the actual physical configuration of the unit in the carrier tape.

Actual physical unit in tape form (Cathode pin 2 is near to the indexing hole):



Datasheet information - Cathode pin 2 is away from indexing hole :

BLISTER TAPE DIMENSIONS in millimeters



We do apologize for any inconvenience this may have caused you.

Yours Faithfully,

Cheng Sin Hong
Senior Quality Manager
(Tel : +6063315037)