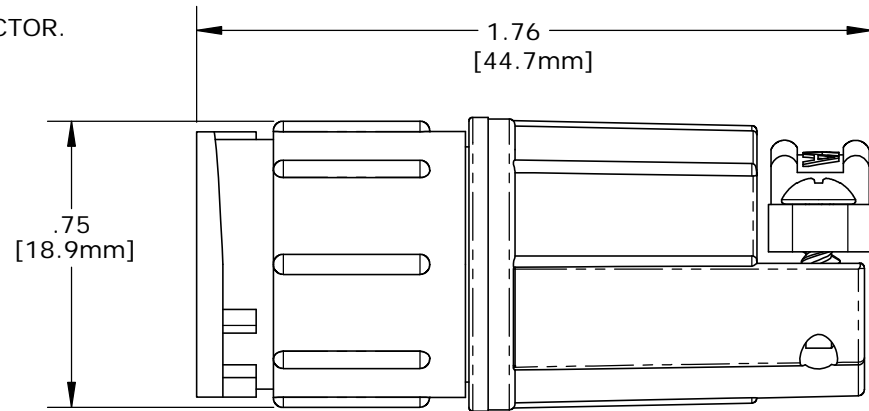


- NOTES:**
 1. PARTS TO BE BULK PACKED.
 2. SOLDER CONTACTS ARE PRESSED INTO CONNECTOR.
 ALL SOLDER CUPS ARE TO BE FACING TOP KEY.
 3. ALL DIMENSIONS ARE REFERENCE ONLY
 4. DIMENSIONS IN BRACKETS [] ARE METRIC.



ASSEMBLED REFERENCE VIEW

KIT PART NO.	GROMMET SIZE TO FIT CABLE O.D.	DIA. "D"	KIT P/N	NO/ OF CONTACTS
W5282-1XSG-518	0.18 - 0.20 [4.6-5.1mm]	Ø0.77 [19.6mm]	W5282-10SG-5XX	(10) - #20
W5282-1XSG-521	0.21 - 0.23 [5.3-5.8mm]	Ø0.77 [19.6mm]	W5282-11SG-5XX	(11) - #20
W5282-1XSG-524	0.24 - 0.27 [6.1-6.8mm]	Ø0.77 [19.6mm]	W5282-12SG-5XX	(12) - #20
W5282-1XSG-528	0.28 - 0.29 [7.1-7.4mm]	Ø0.77 [19.6mm]	W5282-1XSG-5XX	
W5282-1XSG-530	0.30 - 0.32 [7.6-8.1mm]	Ø0.77 [19.6mm]		
W5282-1XSG-535	0.35 - 0.40 [8.9-10.2mm]	Ø0.83 [21.1mm]		

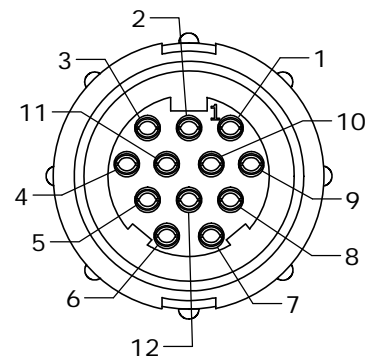
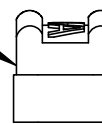
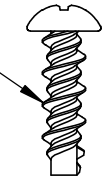
NO. OF CONTACTS

NO. OF CONTACTS

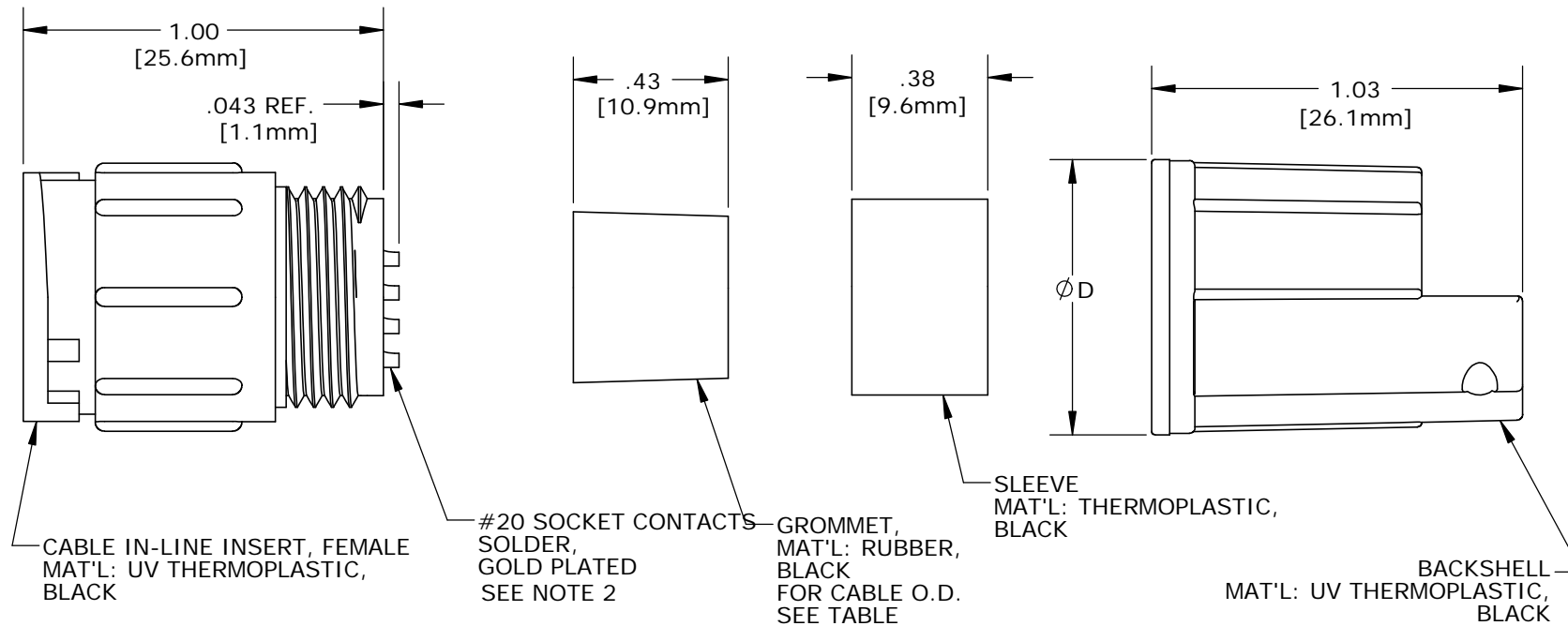
GROMMET SIZE SEE P/N LIST

#4 HI/LO SCREW
 MAT'L: STAINLESS STEEL

BACKSHELL STRAP
 MAT'L: UV THERMOPLASTIC, BLACK



FACE VIEW
 W5282-12SG-5XX



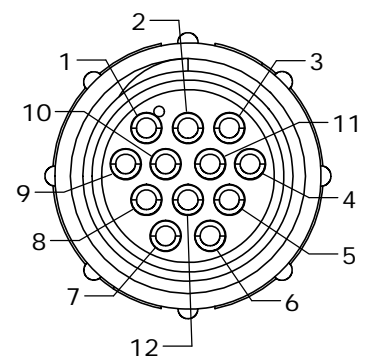
CABLE IN-LINE INSERT, FEMALE
 MAT'L: UV THERMOPLASTIC, BLACK

#20 SOCKET CONTACTS
 SOLDER, GOLD PLATED
 SEE NOTE 2

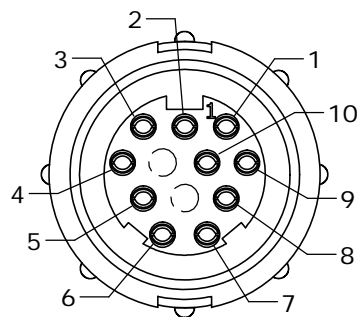
GROMMET,
 MAT'L: RUBBER, BLACK
 FOR CABLE O.D.
 SEE TABLE

SLEEVE
 MAT'L: THERMOPLASTIC, BLACK

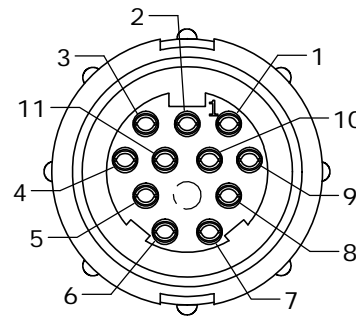
BACKSHELL
 MAT'L: UV THERMOPLASTIC, BLACK



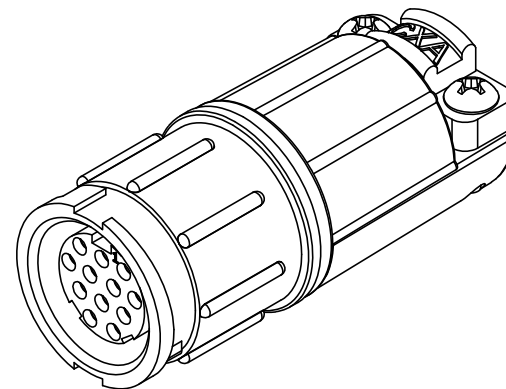
WIRE VIEW
 12-position



FACE VIEW
 W5282-10SG-5XX



FACE VIEW
 W5282-11SG-5XX



CUSTOMER APPROVAL

THIS DOCUMENT CONTAINS CONFIDENTIAL INFORMATION PROPRIETARY TO CONXALL CORPORATION. ANY REPRODUCTION, DISCLOSURE, OR USE OF THIS DOCUMENT /INFORMATION IS EXPRESSLY PROHIBITED UNLESS AUTHORIZED IN WRITING BY CONXALL CORPORATION.

APPROVED BY: _____

DATE: _____

A	PAK	08/20/19	DRAWING CREATED AND RELEASED PER DOR 10-2523JS-1	
REV.	INIT.	DATE	DESCRIPTION	
	PAK	09/29/14	ORIG. DRAWN BY: DATE: CHECKED BY: APPROVED BY:	
ALL INFORMATION ILLUSTRATED IS THE PROPERTY OF "CONXALL CORPORATION". UNAUTHORIZED DUPLICATION OR DISTRIBUTION OF THIS DOCUMENT IS PROHIBITED.			601 E. WILDWOOD VILLA PARK, IL 60181	
ALL UNITS ARE IN FEET, INCHES, FRACTION OF INCHES AND DECIMALS. UNLESS OTHERWISE SPECIFIED TOLERANCES: 3 PLACE DECIMALS ± .005 ANGLES ± 1° FRACTIONS ± 1/16 ▽ - CRITICAL CHARACTERISTIC FLAG PER SPEC. XXXX				
SCALE	SIZE	SHEET	TITLE: CABLE TO CABLE CONNECTOR KIT	
NTS	B	1 OF 1	#20 SOCKET CONTACTS (SOLDER), BACKSHELL CLAMP MULTI-CON-X, E-KEY, WEATHER RESISTANT	
FILE:	DIRECTORY:	PART NUMBER:	CUSTOMER: STANDARD PRODUCT	
W5282-1XSG-5XX	SLW	W5282-1XSG-5XX		
		REV	A	