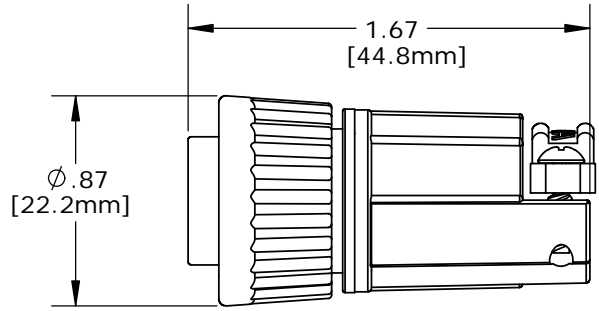


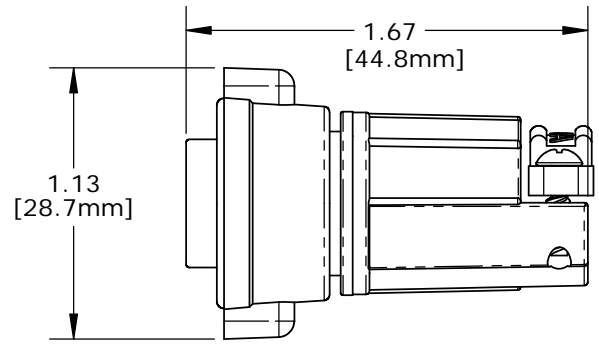
CUSTOMER PRINT

PART NUMBER: W3280-1XPG-5XX(W)

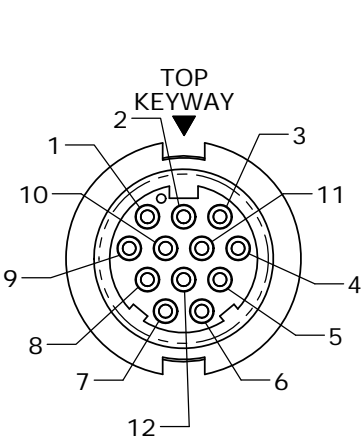
NOTES:
 1. PARTS TO BE BULK PACKED.
 2. ALL DIMENSIONS ARE REFERENCE ONLY.
 DIMENSIONS IN BRACKETS [] ARE METRIC.



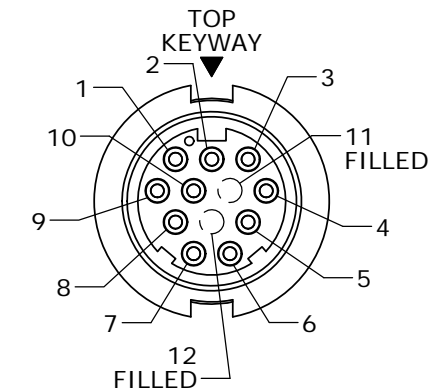
ASSEMBLED VIEW SHOWN WITH STANDARD COUPLING RING



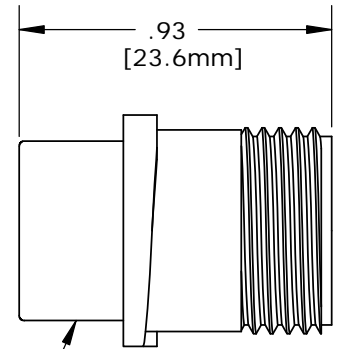
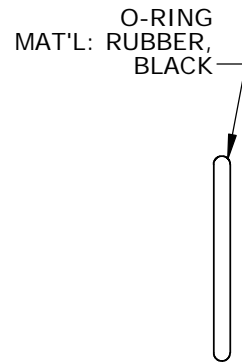
ASSEMBLED VIEW SHOWN WITH WINGED COUPLING RING



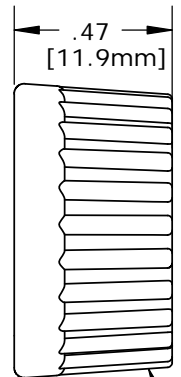
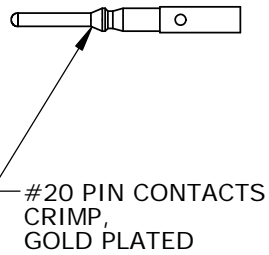
FACE VIEW W3280-12PG-5XX(W)



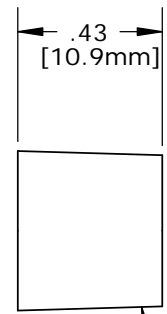
FACE VIEW W3280-10PG-5XX(W)



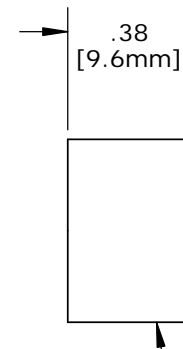
CABLE INSERT, MALE MAT'L: UV THERMOPLASTIC, BLACK



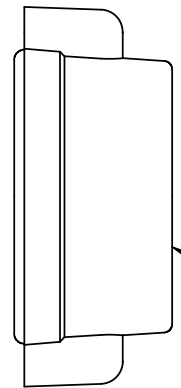
GROMMET, MAT'L: RUBBER, BLACK FOR CABLE O.D. SEE TABLE



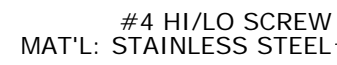
SLEEVE MAT'L: THERMOPLASTIC, BLACK



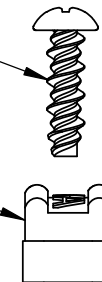
COUPLING RING MAT'L: UV THERMOPLASTIC, BLACK



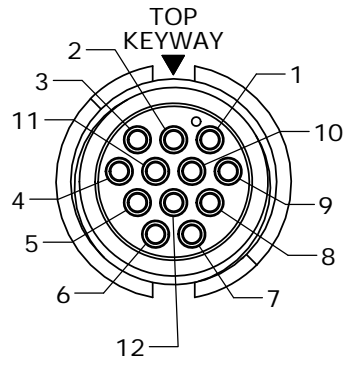
COUPLING RING, WINGED (OPTIONAL) MAT'L: UV THERMOPLASTIC, BLACK



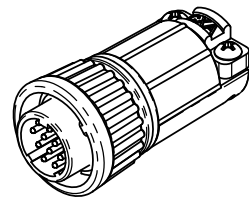
BACKSHELL STRAP MAT'L: UV THERMOPLASTIC, BLACK



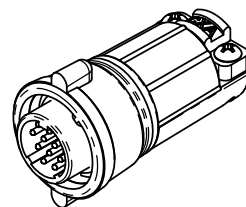
BACKSHELL MAT'L: UV THERMOPLASTIC, BLACK



WIRE VIEW



ASSEMBLED VIEW SHOWN WITH STANDARD COUPLING RING



ASSEMBLED VIEW SHOWN WITH WINGED COUPLING RING

KIT PART NO.	GROMMET SIZE TO FIT CABLE O.D.	DIA. "D"	KIT P/N	NO. OF CONTACTS
W3280-1XPG-518(W)	0.18 - 0.20 [4.6-5.1mm]	Ø0.77 [19.6mm]	W3280-10PG-5XX	(10) - #20
W3280-1XPG-521(W)	0.21 - 0.23 [5.3-5.8mm]	Ø0.77 [19.6mm]	W3280-11PG-5XX	(11) - #20
W3280-1XPG-524(W)	0.24 - 0.27 [6.1-6.8mm]	Ø0.77 [19.6mm]	W3280-12PG-5XX	(12) - #20
W3280-1XPG-528(W)	0.28 - 0.29 [7.1-7.4mm]	Ø0.77 [19.6mm]	W3280-10PG-5XXW	(10) - #20
W3280-1XPG-530(W)	0.30 - 0.32 [7.6-8.1mm]	Ø0.77 [19.6mm]	W3280-11PG-5XXW	(11) - #20
W3280-1XPG-535(W)	0.35 - 0.40 [8.9-10.2mm]	Ø0.83 [21.1mm]	W3280-12PG-5XXW	(12) - #20
(WING COUPLING RING OPTION)				
NO. OF CONTACTS				
ADD W SUFFIX FOR WINGED COUPLING RING OPTION				
			W3280-1XPG-5XX(W)	

GROMMET SIZE SEE P/N LIST
 NO. OF CONTACTS

CUSTOMER APPROVAL

THIS DOCUMENT CONTAINS CONFIDENTIAL INFORMATION PROPRIETARY TO CONXALL CORPORATION. ANY REPRODUCTION, DISCLOSURE, OR USE OF THIS DOCUMENT /INFORMATION IS EXPRESSLY PROHIBITED UNLESS AUTHORIZED IN WRITING BY CONXALL CORPORATION.

APPROVED BY: _____
 DATE: _____

A	PAK	08/15/19	DRAWING CREATED & RELEASED PER DOR 10-2523JS-1	
REV.	INIT.	DATE	DESCRIPTION	
	PAK	10/01/14	ORIG. DRAWN BY: DATE: 10/01/14	
ALL INFORMATION ILLUSTRATED IS THE PROPERTY OF "CONXALL CORPORATION". UNAUTHORIZED DUPLICATION OR DISTRIBUTION OF THIS DOCUMENT IS PROHIBITED.			 601 E. WILDWOOD VILLA PARK, IL 60181	
ALL UNITS ARE IN FEET, INCHES, FRACTION OF INCHES AND DECIMALS. UNLESS OTHERWISE SPECIFIED TOLERANCES: 3 PLACE DECIMALS ±.005 ANGLES ±1° FRACTIONS ±1/16				
APPROVED BY: _____			TITLE: CABLE CONNECTOR KIT	
SCALE: NTS			SIZE: B	
SHEET: 1 OF 1			CUSTOMER: STANDARD PRODUCT	
FILE: W3280-1XPG-5XX			PART NUMBER: W3280-1XPG-5XX(W)	
DIRECTORY: SLW			REV: A	