

DO NOT SCALE DRAWING

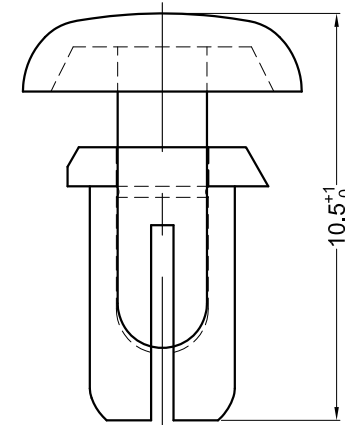
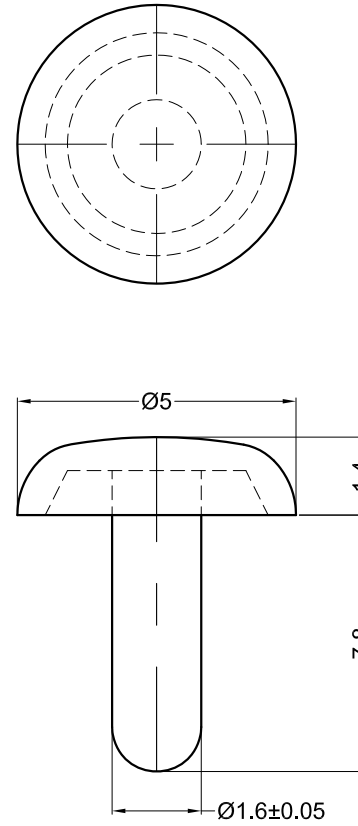
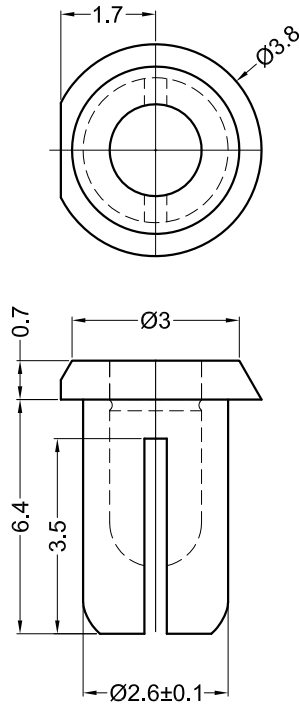
REVISIONS

ZONE	REV.	DESCRIPTION	DATE	APPROVED
	A	DRAWN	12-02-2015	

BODY

PIN

ASSEMBLE



NOTES :

ALSO AVAILABLE IN FLAME RETARDANT NYLON (PA6 UL94V-0)
Hole: \varnothing 2.6-2.7mm; Panel Thickness: 4.3-5.2mm



UNLESS OTHERWISE SPECIFIED:
DIMENSIONS ARE IN MILLIMETERS.
SURFACE FINISH:
TOLERANCES:
 $L \leq 4 = \pm 0.1$ $4 < L \leq 15 = \pm 0.2$
 $15 < L \leq 50 = \pm 0.3$ $50 < L \leq 100 = \pm 0.4$

MATERIAL

PA6 UL94V-2 RoHS COMPLIANT

TITLE

SNAP RIVET

NAME	DATE
DRAWN MARTIN ELLIOTT	12/02/2015
CHK'D	
APP'VD	

HEAT TREATMENT

N/A

CUSTOMER PART NO.

FINISH

BLACK OR WHITE

DWG NO.

TRSR2664

A3

PROJECTION



SHEET 1 OF 1