



Certifications & Ratings

- UL 1598 (E156890)
- IP66
- NEMA 4X
- RoHS Compliant w/6C exemption
- IK07

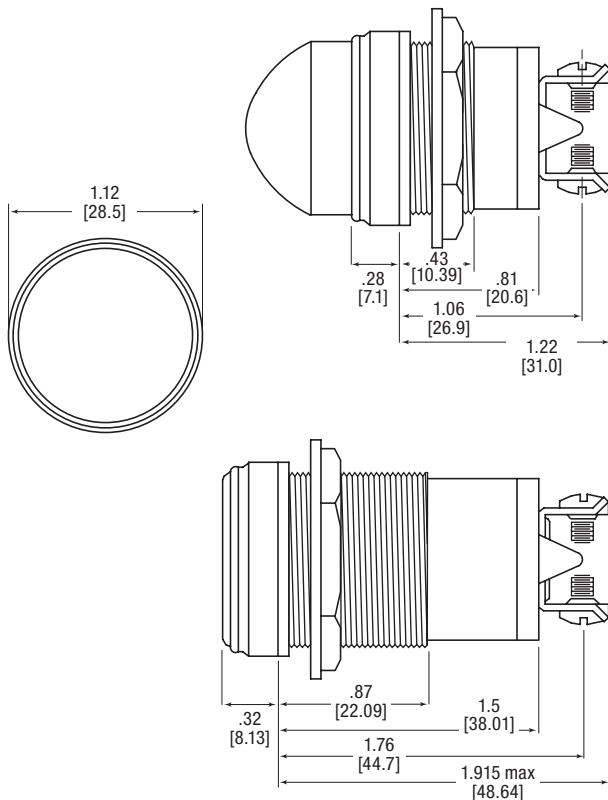
Application

The 556 Series LED Panel Mount Indicators incorporate both InGaN and AlInGaP technologies to offer maximum light output. This is a highly durable package, designed to withstand outdoor applications susceptible to rain, dust and sunlight. In addition, the Class I, Division 2 rating allows for use in hazardous environments common to the oil and gas, mining, and chemical industries:

- Instrument panels
 - Safety applications
 - UL 508 panel applications
 - Petrochemical applications
 - Environmental Monitoring Equipment specifications
 - Pump system controllers
 - Mining application
 - Oil Refineries
 - Agricultural controls
 - Power generators
- ... and many more!

Dimensions

inches [mm]



Mechanical information

- Mounting Hole Size:** 1.0" (25.4 mm)
- Max Panel Thickness:** Flat: 0.600" (15.24 mm)
Dome: 0.187" (4.27 mm)
- Mounting Torque:** 40 in-lbs

Specifications

- Voltage Options:** 12 to 125 VDC, 125, 230 VAC and 18-48 VDC Constant Intensity
No external resistor required
- Operating Temp:** -30 °C to +85 °C (-22 °F to +185 °F)
- Storage Temp:** -40 °C to +100 °C (-40 °F to +212 °F)
- Electrical Connection:** 6-32 screw terminals
- Housing:** Brass—White or Black Nickel Plated
- Terminals:** Brass — Hot solder dip per Mil-F-14072D, M258, Type II
- Lens Material:** Transparent Polycarbonate (UL 94V-0)
- Lock Washer:** Phosphor Bronze — White or Black Nickel Plated
- Nut:** Brass—White or Black Nickel Plated



Ordering Information

556 Series – Class 1, Div 2, Flat Lens

Part Number Guide 556 Series

RoHS Compliant

5	5	6	-	X	X	X	X	-	X	2	4	F
Lens Style			Color				Voltage		Plating			
Flat	1					3	12 VDC					
Domed	3	○ White	0	0	4	24 VDC	Plating 2 Black 3 White					
		● Red	5	0	8	37.5 VDC						
		● Green	6	0	6	72 VDC						
		● Cyan	6	8	7	125 VDC*						
		● Yellow	7	0	5	125 VAC*						
		● Blue	8	0	9	230 VDC*						
		● Orange	9	0								
							*white nickel only					

Flat Lens

White Nickel	Black Nickel	Color	Voltage	Typ Current (mA)	Typical Intensity (mcd)
556-1003-324F	556-1003-224F	○ White	12 VDC	60	61,000
556-1503-324F	556-1503-224F	● Red		95	22,000
556-1603-324F	556-1603-224F	● Green		60	41,500
556-1683-324F	556-1683-224F	● Cyan		60	37,000
556-1703-324F	556-1703-224F	● Yellow		95	13,500
556-1803-324F	556-1803-224F	● Blue		60	13,000
556-1903-324F	556-1903-224F	● Orange		95	11,500
556-1004-324F	556-1004-224F	○ White	24 VDC	32	61,000
556-1504-324F	556-1504-224F	● Red		46	22,000
556-1604-324F	556-1604-224F	● Green		32	41,500
556-1684-324F	556-1684-224F	● Cyan		32	37,000
556-1704-324F	556-1704-224F	● Yellow		46	13,500
556-1804-324F	556-1804-224F	● Blue		32	13,000
556-1904-324F	556-1904-224F	● Orange	46	11,500	
556-1508-324F	556-1508-224F	● Red	37.5 VDC	20	14,000
556-1608-324F	556-1608-224F	● Green		16	54,000
556-1708-324F	556-1708-224F	● Yellow		20	12,750
556-1006-324F	556-1006-224F	○ White	72 VDC	18.5	15,000
556-1506-324F	556-1506-224F	● Red		18.5	45,500
556-1606-324F	556-1606-224F	● Green		16	9,000
556-1706-324F	556-1706-224F	● Yellow		20	15,000
556-1806-324F	556-1806-224F	● Blue	18.5	36,000	
556-1007-324F	—	○ White	125 VDC	10.5	8,000
556-1507-324F	—	● Red		10	27,000
556-1607-324F	—	● Green		10	5,750
556-1707-324F	—	● Yellow	10	35,000	
556-1005-324F	—	○ White	125 VAC	11	8,000
556-1505-324F	—	● Red		10.5	29,000
556-1605-324F	—	● Green		9.5	24,750
556-1685-324F	—	● Cyan		9.5	5,750
556-1705-324F	—	● Yellow		10.5	7,750
556-1805-324F	—	● Blue		9.5	6,000
556-1905-324F	—	● Orange	10.5	35,000	
556-1009-324F	—	○ White	230 VAC	6	8,000
556-1509-324F	—	● Red		7	29,000
556-1609-324F	—	● Green		7	5,750
556-1709-324F	—	● Yellow		7	7,750
556-1809-324F	—	● Blue		7	6,000
556-1909-324F	—	● Orange	7	3100	



Ordering Information

556 Series — Class 1, Div 2, Domed Lens

Domed Lens

White Nickel	Black Nickel	Color	Voltage	Typ Current (mA)	Typical Intensity (mcd)
556-3003-324F	556-3003-224F	○ White	12 VDC	60	17,000
556-3503-324F	556-3503-224F	● Red		95	14,000
556-3603-324F	556-3603-224F	● Green		60	14,000
556-3683-324F	556-3683-224F	● Cyan		60	11,500
556-3703-324F	556-3703-224F	● Yellow		95	4,000
556-3803-324F	556-3803-224F	● Blue		60	12,000
556-3903-324F	556-3903-224F	● Orange		95	3,500
556-3004-324F	556-3004-224F	○ White	24 VDC	32	17,000
556-3504-324F	556-3504-224F	● Red		46	14,000
556-3604-324F	556-3604-224F	● Green		32	14,000
556-3684-324F	556-3684-224F	● Cyan		32	11,500
556-3704-324F	556-3704-224F	● Yellow		46	4,000
556-3804-324F	556-3804-224F	● Blue		32	12,000
556-3904-324F	556-3904-224F	● Orange		46	3,500
556-3508-324F	556-3508-224F	● Red	37.5 VDC	20	4,750
556-3608-324F	556-3608-224F	● Green		16	15,750
556-3708-324F	556-3708-224F	● Yellow		20	3,250
556-3006-324F	556-3006-224F	○ White	72 VDC	18.5	4,200
556-3506-324F	556-3506-224F	● Red		18.5	14,250
556-3606-324F	556-3606-224F	● Green		16	2,600
556-3706-324F	556-3706-224F	● Yellow		20	4,500
556-3806-324F	556-3806-224F	● Blue		18.5	10,250
556-3007-324F	—	○ White	125 VDC	10.5	2,500
556-3507-324F	—	● Red		10	8,250
556-3607-324F	—	● Green		10	1,500
556-3707-324F	—	● Yellow		10	10,250
556-3005-324F	—	○ White	125 VAC	11	2,500
556-3505-324F	—	● Red		10.5	9,500
556-3605-324F	—	● Green		9.5	6,500
556-3685-324F	—	● Cyan		9.5	1,750
556-3705-324F	—	● Yellow		10.5	3,000
556-3805-324F	—	● Blue		9.5	1,750
556-3905-324F	—	● Orange		10.5	10,250
556-3009-324F	—	○ White	230 VAC	6	2,500
556-3509-324F	—	● Red		7	9,500
556-3609-324F	—	● Green		7	1,750
556-3709-324F	—	● Yellow		7	3,000
556-3809-324F	—	● Blue		7	1,750
556-3909-324F	—	● Orange		7	3100

Dialight reserves the right to make changes at any time in order to supply the best product possible. The most current version of this document will always be available at: www.dialightsignalsandcomponents.com

Warranty Statement: Except for the warranty expressly provided for at: www.dialight.com/resources/warranties/, Dialight disclaims any and all other warranties, express or implied, including, without limitation, any warranties of merchantability, fitness for a particular purpose, title, and noninfringement.

Ordering Information

556 Series – Constant Intensity, Class 1, Div 2

Part Number Guide 556 Series *RoHS Compliant*

5 5 6 - X X X A - X 2 4 F

Lens Style		Color		Voltage	Plating	
Flat	1	Red	5	A 18–48 VDC	2	Black
Domed	3	Green	6		3	White
		Yellow	7			

Flat Lens

Domed Lens

White Nickel Plating	Black Nickel Plating	White Nickel Plating	Black Nickel Plating	Color	Voltage (VDC)	Typ Current (mA)	Typical Intensity (mcd)
556-150A-324F	556-150A-224F	556-350A-324F	556-350A-224F	Red	18–48	7.3–8.2	1470–1500
556-160A-324F	556-160A-224F	556-360A-324F	556-360A-224F	Green		6.5–7.4	200–230
556-170A-324F	556-170A-224F	556-370A-324F	556-370A-224F	Yellow		8.0–8.9	630–660

Dialight reserves the right to make changes at any time in order to supply the best product possible. The most current version of this document will always be available at: www.dialightsignalsandcomponents.com

Warranty Statement: Except for the warranty expressly provided for at: www.dialight.com/resources/warranties/, Dialight disclaims any and all other warranties, express or implied, including, without limitation, any warranties of merchantability, fitness for a particular purpose, title, and noninfringement.

Mouser Electronics

Authorized Distributor

Click to View Pricing, Inventory, Delivery & Lifecycle Information:

[Dialight:](#)

[556-1504-324F](#) [556-1603-324F](#) [556-1604-324F](#) [556-1705-324F](#) [556-1707-324F](#) [556-1684-324F](#) [556-1704-324F](#)
[556-1903-324F](#) [556-3503-324F](#) [556-1509-324F](#) [556-1605-324F](#) [556-1505-324F](#) [556-3704-324F](#) [556-3505-324F](#)
[556-1703-324F](#) [556-3504-324F](#) [556-1503-324F](#) [556-3705-324F](#) [556-1506-324F](#) [556-3603-324F](#) [556-1609-324F](#)
[556-3605-324F](#) [556-3609-324F](#) [556-1005-324F](#) [556-3604-324F](#) [556-1004-324F](#) [556-3004-324F](#) [556-3508-324F](#)
[556-3683-324F](#) [556-3708-324F](#) [556-3709-324F](#) [556-3904-324F](#) [556-3803-224F](#) [556-3804-224F](#) [556-3806-224F](#)
[556-3903-224F](#) [556-3904-224F](#) [556-3683-224F](#) [556-3684-224F](#) [556-3703-224F](#) [556-3704-224F](#) [556-3706-224F](#)
[556-3708-224F](#) [556-3506-224F](#) [556-3508-224F](#) [556-3603-224F](#) [556-3604-224F](#) [556-3606-224F](#) [556-3608-224F](#)
[556-3806-324F](#) [556-3004-224F](#) [556-3003-224F](#) [556-3006-224F](#) [556-3503-224F](#) [556-3504-224F](#) [556-3909-324F](#)
[556-3009-324F](#) [556-3506-324F](#) [556-3706-324F](#) [556-3006-324F](#) [556-3606-324F](#) [556-1006-324F](#) [556-1003-224F](#)
[556-1004-224F](#) [556-1006-224F](#) [556-1007-324F](#) [556-1904-224F](#) [556-1706-224F](#) [556-1708-224F](#) [556-1803-224F](#)
[556-1804-224F](#) [556-1806-224F](#) [556-1903-224F](#) [556-1606-224F](#) [556-1608-224F](#) [556-1683-224F](#) [556-1684-224F](#)
[556-1703-224F](#) [556-1704-224F](#) [556-1503-224F](#) [556-1504-224F](#) [556-1506-224F](#) [556-1508-224F](#) [556-1603-224F](#)
[556-1604-224F](#) [556-1508-324F](#) [556-1608-324F](#) [556-1683-324F](#) [556-1685-324F](#) [556-1708-324F](#) [556-1804-324F](#)
[556-1606-324F](#) [556-1806-324F](#) [556-1706-324F](#) [556-1009-324F](#) [556-3608-324F](#) [556-3707-324F](#) [556-3684-324F](#)
[556-3509-324F](#) [556-3805-324F](#)