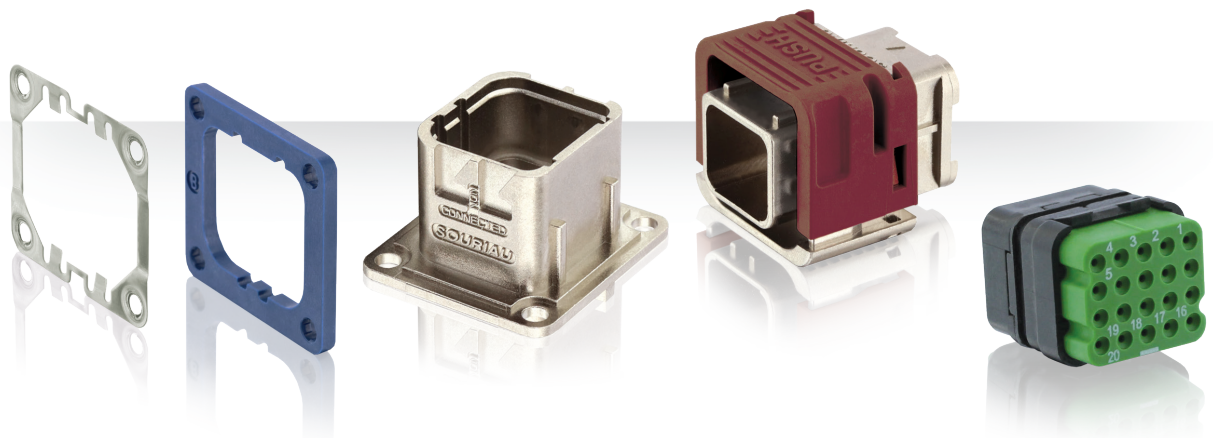




MQuick EN4165 Connectors

Rectangular modular small-size push-pull





Presentation

Souriau-Sunbank Connection Technologies is proud to extend its rectangular offering with the **MQuick** Series.

MQuick products answer market requirements for modularity, quick and easy installation as well as maintenance.

Compliant to major standards the shells, modules and backshells are designed with high level of manufacturing excellence.

Based on modular design, **MQuick** opens opportunities to build a wide range of offering from custom to standard interconnect solutions.

Contents

Overview

Typical applications	6
Features & Benefits	7
On-shelf components catalog	8
Standard compliant	9
Custom capabilities	9
Souriau-Sunbank outstanding services.....	9

Components

General description and technical features	12
Ordering information summary	13
Modules:	
On-shelf available layouts, weights	16
Ordering information	17
Dimensions and coordinates	18
Shells:	
Color coding, weights	20
Ordering information	21

Dimensions	22
Polarization and panel cut-out	23
Backshells:	
Ordering information, dimensions	24
Weights	25
Accessories and Tooling	26
Contacts	28
Assembling and Wiring instructions	29

Going Further

ARINC 600 Series	32
micro38999 Series	32
microComp® Series	33
D-Subminiature Series	33
JBX Series	34
8D8/8D9 Series	34

MQuick SERIES

MQuick Series

Overview

■ Typical applications	6
■ Features & Benefits	7
■ On-shelf components catalog	8
■ Standard compliant	9
■ Custom capabilities	9
■ Souriau-Sunbank outstanding services	9

Typical applications



IFE / Seat Actuation



WiFi, LiFi / Power Distribution



Cabin Management System



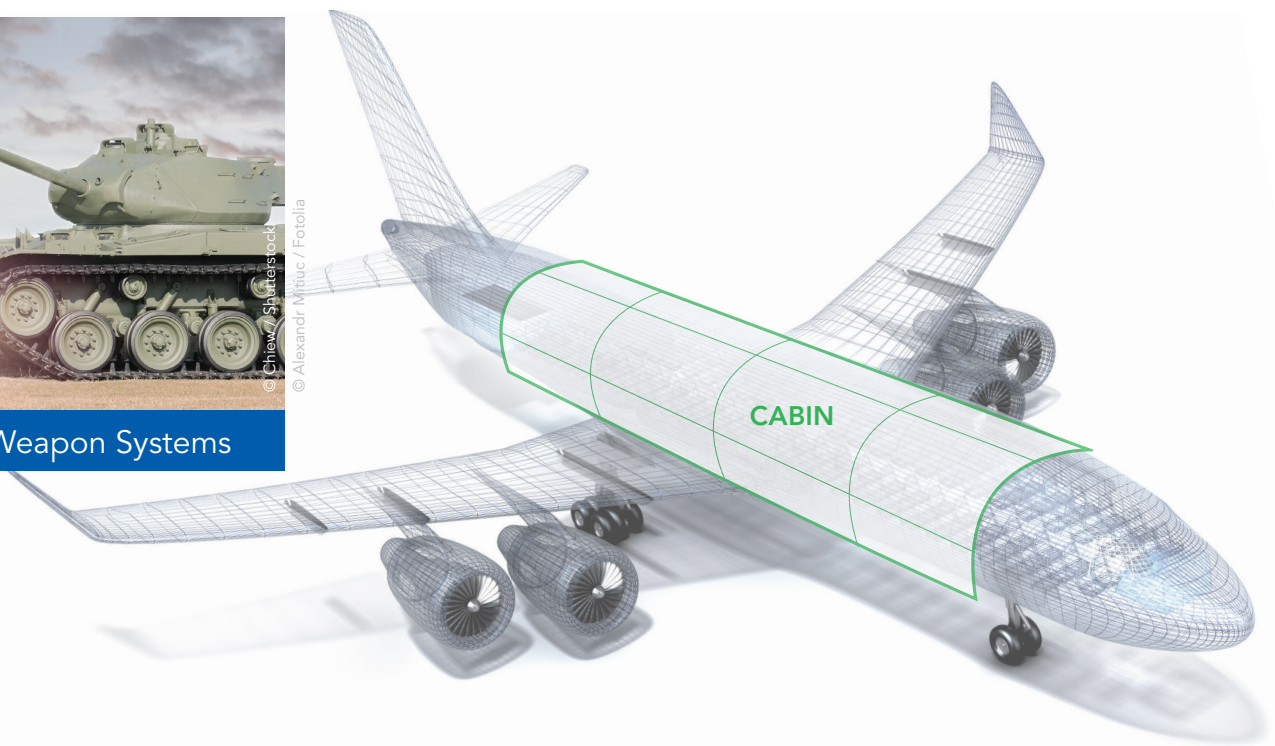
Galleys



Helicopters



Missiles / Weapon Systems



Features & Benefits

EN4165
BACC65
ARINC809

Standard Compliant

Souriau-Sunbank designed and manufactured all **MQuick** components to be compliant with major standard requirements and EN3155 certified range of contacts. **MQuick** is EN4165 qualified.

TIME
SAVING

Push Pull Solution

The **MQuick** connector is equipped with a push-pull locking system with coding possibility, ensuring fast installation.

COST
SAVING

Ordering at Component Level

Component-level ordering allows you to order just what you need and to group volumes per component and limit storage stacks.

WEIGHT
SAVING

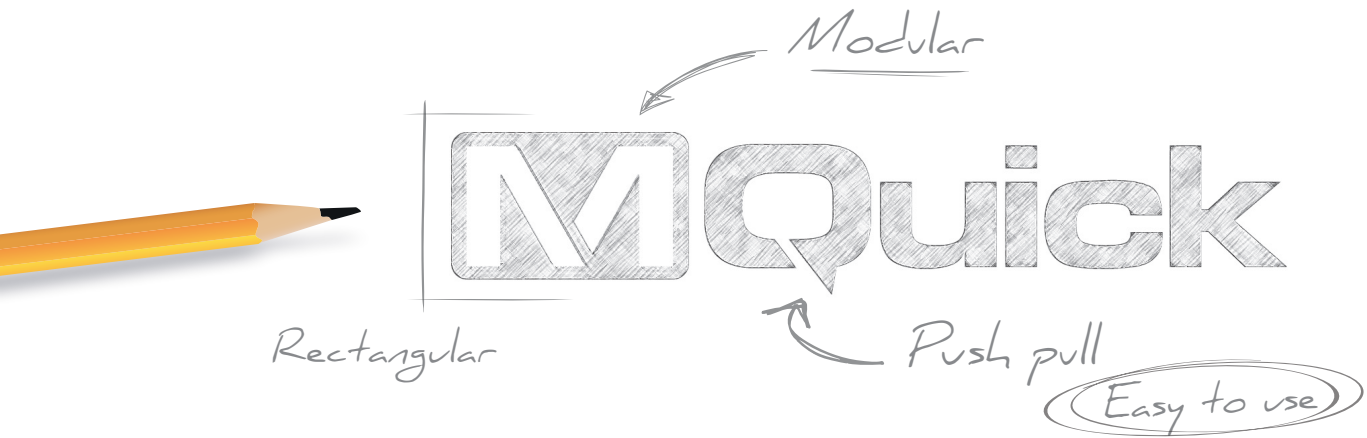
Lightweight Composite Solution

Composite material body and high density arrangement capability save space and weight, as well as PC tail termination for direct input to PCB solution.

MAKE IT
YOUR
WAY

Modular Solution

MQuick modularity and its kit ordering system offer the possibility of designing a fitted standard connector that meets specific needs.



On-shelf components catalog

Make it your way!

For a new project, gather all information:

1 Modules

- Signal
- Power
- Quadrax
- Dummy

See page 13

Part number
8MQ2 **M** ...

2 Contacts

- Crimp
- PC tail
- Filler plugs
- Dummy

See page 28

Part number
8MQ2 **C** ...

3 Shells

- Plug
- Receptacle
- Box mounting receptacle

See page 18

Part number
8MQ2 **S** ...

4 Backshells

- Straight
- 45° angle
- 90° angle

See page 22

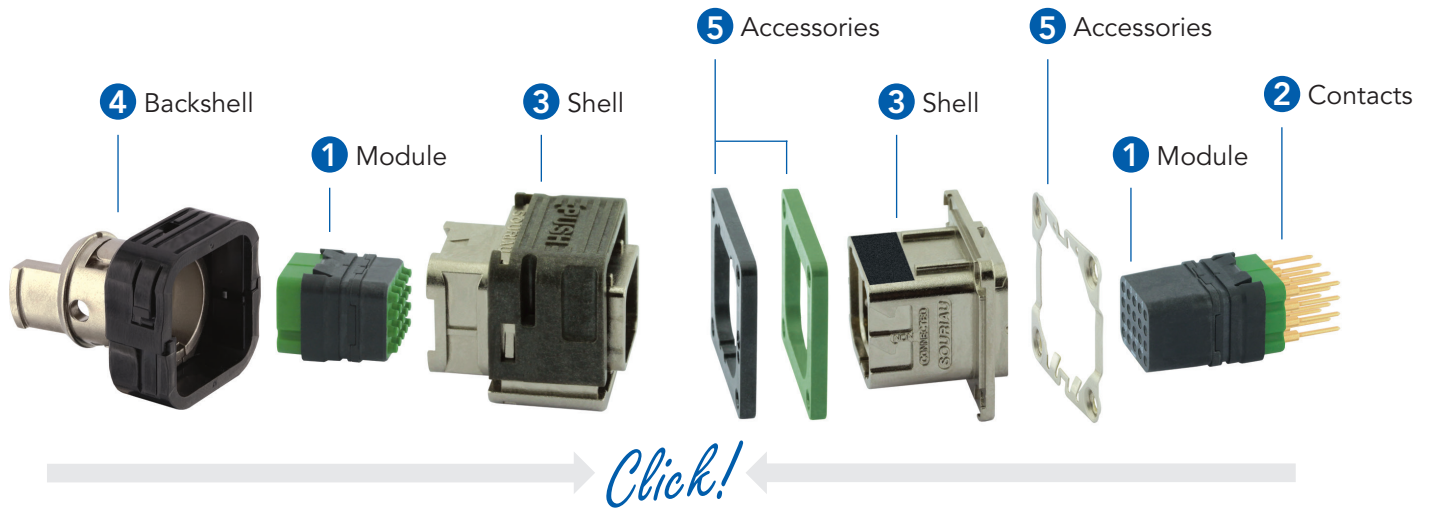
Part number
8MQ2 **B** ...

5 Accessories

- Panel gasket
- Nut plate
- Color coding plate

See page 26

Part number
8MQ2 **A** ...



= Your **MQuick**

Matching perfectly your connection requirements.

Standard compliant

Components designed and manufactured to be compliant with standard requirements:

EN4165
qualified

BACC65
compliant

ARINC809
compliant

Custom capabilities

With strong knowledge in design of electrical interconnection solutions, **MQuick** offer the ability to build solutions customized to answer your requirements, from specific features to dedicated shells and accessories.

Together let's create together a solution that fits your system, based on a reliable electrical interface, compliant to major market standards.



Souriau-Sunbank outstanding services

Souriau-Sunbank Connection Technologies offers you dedicated support resources for any technical inquiries you may have. We thrive to make your ideas of new solutions come true, meeting your specific needs. We engage to manufacture and deliver our products at top quality level and just in time.



MQuick SERIES

Components

■ General description and technical features	12
■ Ordering information summary	13
■ Modules:	
On-shelf available layouts, weights	16
Ordering information	17
Dimensions and coordinates	18
■ Shells:	
Color coding, weights	20
Ordering information	21
Dimensions	22
Polarization and panel cut-out	23
■ Backshells:	
Ordering information, dimensions	24
Weights	25
■ Accessories and Tooling	26
■ Contacts offer	28
■ Assembling and Wiring instructions	29

Description

The MQuick range of rectangular connectors feature a complete selection of components built around a range of standard modules, mechanical connections and accessories. It allows you to create the interconnections that meet your dimensional and technical requirements.

MQuick Series answers market expectations for modularity with quick and easy mating from installation to maintenance. Based on modular design, MQuick opens opportunities to build a wide range from certified to custom interconnect solutions.



Technical features

Main features

- Shell:
 - Quick and secure latching system
 - 5 coding keys, 5 with visual
 - Blind mating
- Modules:
 - Metallic contact retention clip (MIL/EN certified)
 - Unsealed and sealed version
 - All polarization keys from N to D
 - Available for crimp and PCB termination

Mechanical

- Shell: Composite
- Plating: Nickel
- Modules: Thermoplastic and silicone
- Contact: Copper alloy with gold plating on nickel
- Contact retention in modules:

Contact size	#22	#20	#16	#12	#8
DaN	4.4	6.7	11	11	11


- Endurance: 500 cycles, full mating/unmating
- Vibration: Random frequency from 50Hz to 2,000Hz, acceleration 27.8g

Electrical

- Standard contacts (MIL/EN certified)
- Insulation resistance: $\geq 5,000 \text{ M}\Omega$
- Current ratings:

Contact size	#22	#20	#16	#12	#8
Max current	5A	7.5A	13A	23A	45A

Environmental

- Temperature rating: -55°C to $+175^{\circ}\text{C}$
- Resistance to salt spray: 500 hours, mated
- REACH and RoHS compliant 

Easy part numbering

Easily define Part Numbers of components you need for your connection. We defined it to be clear and logical for a better ordering experience.

Type	Root	Series	Digit Type	PN	Applicable for	Refer to EN Standard	Refer to BACC Standard
Modules	8MQ	2	M	8MQ2M	Modules Series 2, all contact termination	EN4165-003	BACI 10 BC
Shells	8MQ	2	S	8MQ2S1	Mono, Multi, Custom	EN4165-024 Monomodule plug	BACC65 CA Plug
						EN4165-025 Monomodule receptacles	BACC65 BU / BACC65 BV Receptacles
Backshells	8MQ	2	B	8MQ2B1	Backshells	EN4165-026 Monomodule	-
Accessories	8MQ	2	A	8MQ2A1	Coding plate / Nut plate / Tools / Panel seal	EN4165-025 Coding plate / Nut plate / Panel gasket	-

Modules and contact termination - See pages 16 and 28

Souriau ordering information

Basic Series	8MQ	2	M	2022	P	N		
Module Series								
M: Module								
Layout: See page 16								
Module type								
Crimp version								
P: Male module delivered with crimp contacts								
S: Female module delivered with crimp contacts								
A: Male module delivered without contacts								
B: Female module delivered without contacts								
PC tail version								
R: Male module delivered with straight PC tail contacts								
U: Female module delivered with straight PC tail contacts								
Please consult us for 90° PC tail contacts version								
Polarization: N, A, B, C, D see page 23								
Sealing								
empty: Unsealed version								
E: Sealed version with additional O'ring								
Protective cap								
empty: Without protective cap								
S: With protective cap								
Contact plating Only available for module delivered with PC tail contacts								
empty: Gold-plated (RoHS)								
046: Tin-plated with lead								
046E: Tin-plated without lead (RoHS)								
046S: Tin-plated without lead SAC 305 (RoHS)								

To order crimp contacts separately, refer to page 28.

EN4165 ordering information

Basic Standard	EN4165	A	2022	1	N	A
A: Module Series 2						
Layout and grounding: See page 16 for available layouts						
XXXX: No grounding, all modules except Quadrax module						
01L28: No grounding for Quadrax module only						
Peripheral sealing and resistance to fuel						
1: Without peripheral sealing and standard resistance to fuel						
2: With peripheral sealing and standard resistance to fuel						
Polarization: N, A, B, C, D see page 23						
Module and contact delivery						
A: Male module delivered without contacts						
B: Female module delivered without contacts						
M: Male module delivered with crimp contacts						
F: Female module delivered with crimp contacts						

Dummy module ordering

Unsealed version: **EN4165-1N**
 Sealed version: **EN4165-2N**

Shells - See page 20

Souriau ordering information

For type 0 & 7 only
Not marked on connector:
for delivery condition only.

Basic Series	8MQ	2	S	1	M	0	N	0	U	0
Module Series										
S: Shell										
1: Number of cavities, for other configuration please consult us.										
M: Composite shell with nickel plating										
Shell type										
0: Short receptacle for box mounting										
6: Plug										
7: Extended receptacle										
Polarization: N, A, B, C, D see page 23										
<small>Note: A colored patch corresponding to polarization is already applied directly on the shell. A color coding plate could be further assembled in order to increase visual differentiation.</small>										
Coding plate for receptacle										
0: Without coding plate										
1: With coding plate										
Sealing gasket for receptacle										
U: Without sealing gasket										
G: With sealing gasket										
Nut plate for receptacle										
0: Without nut plate										
1: With nut plate										

Note: Shells delivered with non antistatic plastic protective caps. For more information about caps, please see page 27.

EN4165 ordering information

For type 0 & 7 only
Not marked on connector:
for delivery condition only.

Basic Standard	EN4165	M	6	1	A	N				
M: Composite shell with nickel plating										
Shell type										
0: Short receptacle for box mounting										
6: Plug										
7: Extended receptacle										
1: Number of cavities										
A: Module type series 2										
Polarization: N, A, B, C, D see page 23										
<small>Note: A colored patch corresponding to polarization is already applied directly on the shell. A color coding plate could be further assembled in order to increase visual differentiation.</small>										
Coding plate for receptacle										
0: Without coding plate										
1: With coding plate										
Sealing gasket for receptacle										
U: Without sealing gasket										
G: With sealing gasket										
Nut plate for receptacle										
0: Without nut plate										
1: With nut plate										

Note: Shells delivered with non antistatic plastic protective caps. For more information about caps, please see page 27.

Backshells - See page 24

Souriau ordering information

Basic Series (Series 2)	8MQ2	B	1	M	26	10A
B: Backshell						
1: Number of cavities, for other configuration please consult us.						
M: Composite shell with nickel plating, for other configuration please consult us.						
26: Standard EN4165-026 code						
Backshell type						
10A: Straight with cable tie						
20A: 45° angle with cable tie						
30A: 90° angle with cable tie						

EN4165 ordering information

Basic Standard (Series 2)	EN4165026	M	10A
M: Composite shell with nickel plating.			
Backshell type			
10A: Straight with cable tie			
20A: 45° angle with cable tie			
30A: 90° angle with cable tie			

Accessories - See page 26

Souriau ordering information

Basic Series (Series 2)	8MQ2	A	1	E	25
A: Accessory					
1: Number of cavities, for other configuration please consult us.					
Accessory type					
C: Color coding plate					
D: Nut plate					
E: Panel gasket					
25: Standard EN4165-025 code					
Polarization (only for color coding plate): N, A, B, C, D see pages 23 and 26					

EN4165 ordering information

Basic Standard (Series 2)	EN416525	E
Accessory type		
C: Color coding plate		
D: Nut plate		
E: Panel gasket		
Polarization (only for color coding plate): N, A, B, C, D see pages 23 and 26		

On-shelf available layouts

Male modules				Female modules		
			Dummy modules 0000 Male and Female			
2022 20 #22D	1220 12 #20	0816 8 #16		2022 20 #22D	1220 12 #20	0816 8 #16
			Sealed version Delivered with additional O-ring			
0412 4 #12	0108 1 #8 Power*	01L28 1 #8 Quadrax*		0412 4 #12	0108 1 #8 Power*	01L28 1 #8 Quadrax*
9901 5 #22D and 6 #16	9910 8 #20 and 2 #16	0936 6 #22D and 3 #20		9901 5 #22D and 6 #16	9910 8 #20 and 2 #16	0936 6 #22D and 3 #20

Modules weights (in grams ±5%)

Layout	Male module		Female module	
	with crimp contacts	without contacts	with crimp contacts	without contacts
2022	4.2	3.0	6.0	3.9
1220	4.7	2.8	6.1	3.7
0816	5.2	2.7	6.7	3.5
0412	5.3	2.5	6.2	3.3
0108**	6.8	2.3	11.1	4.4
01L28**	7.6	2.3	10.3	4.4
9901	4.9	2.8	6.5	3.6
9910	4.7	2.8	6.1	3.7
0936	4.0	3.1	5.5	4.2
0000	-	1.5	-	1.5

* only crimp version available on-shelf. Please consult us for PC Tail version.

** with sealing sleeve.

Souriau ordering information

Basic Series	8MQ	2	M	2022	P	N			
Module Series									
M: Module									
Layout: See previous page for available layouts									
Module type									
Crimp version					PC tail version				
P: Male module delivered with crimp contacts					R: Male module delivered with straight PC tail contacts				
S: Female module delivered with crimp contacts					U: Female module delivered with straight PC tail contacts				
A: Male module delivered without contacts					Please consult us for 90° PC tail contacts version				
B: Female module delivered without contacts									
Polarization: N, A, B, C, D see page 23									
Sealing									
empty: Unsealed version									
E: Sealed version with additional O'ring									
Protective cap									
empty: Without protective cap									
S: With protective cap									
Contact plating Only available for module delivered with PC tail contacts									
empty: Gold-plated (RoHS)									
046: Tin-plated with lead									
046E: Tin-plated without lead (RoHS)									
046S: Tin-plated without lead SAC 305 (RoHS)									

To order separately crimp contacts, refer to page 28.

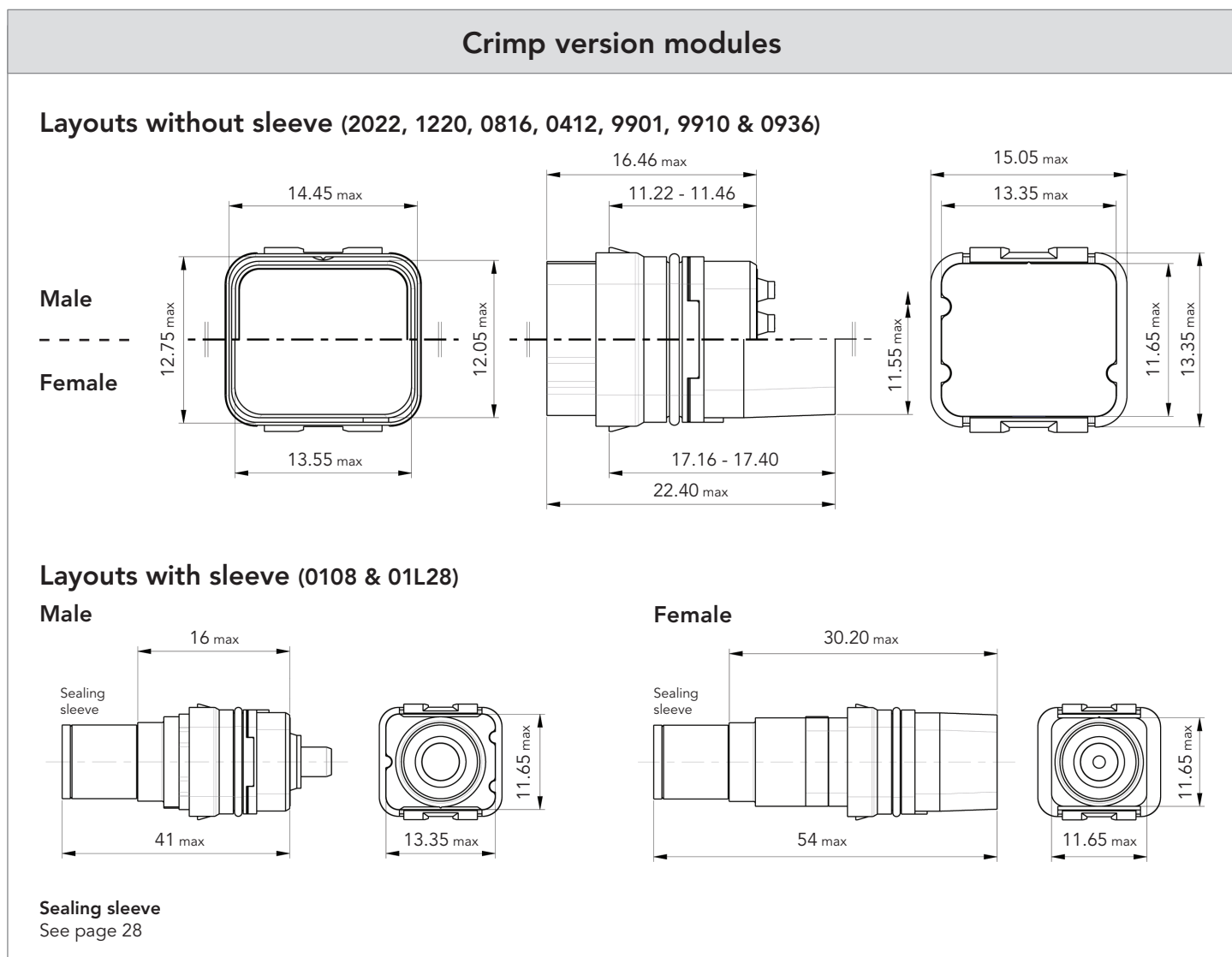
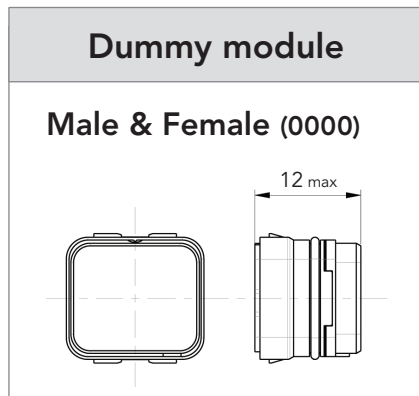
EN4165 ordering information

Basic Standard	EN4165	A	2022	1	N	A		
A: Module Series 2								
Layout and grounding: See previous page for available layouts								
XXXX: No grounding, all modules except Quadrax module								
01L28: No grounding for Quadrax module only								
Peripheral sealing and resistance to fuel								
1: Without peripheral sealing and standard resistance to fuel								
2: With peripheral sealing and standard resistance to fuel								
Polarization: N, A, B, C, D see page 23								
Module and contact delivery								
A: Male module delivered without contacts								
B: Female module delivered without contacts								
M: Male module delivered with crimp contacts								
F: Female module delivered with crimp contacts								

Dummy module ordering

Unsealed version: **EN4165-1N**
 Sealed version: **EN4165-2N**

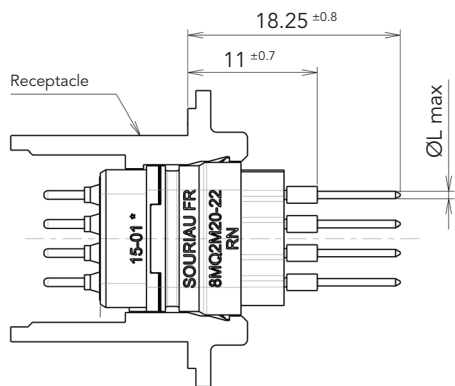
Dimensions



Note: All dimensions are in millimeters (mm).

Dimensions

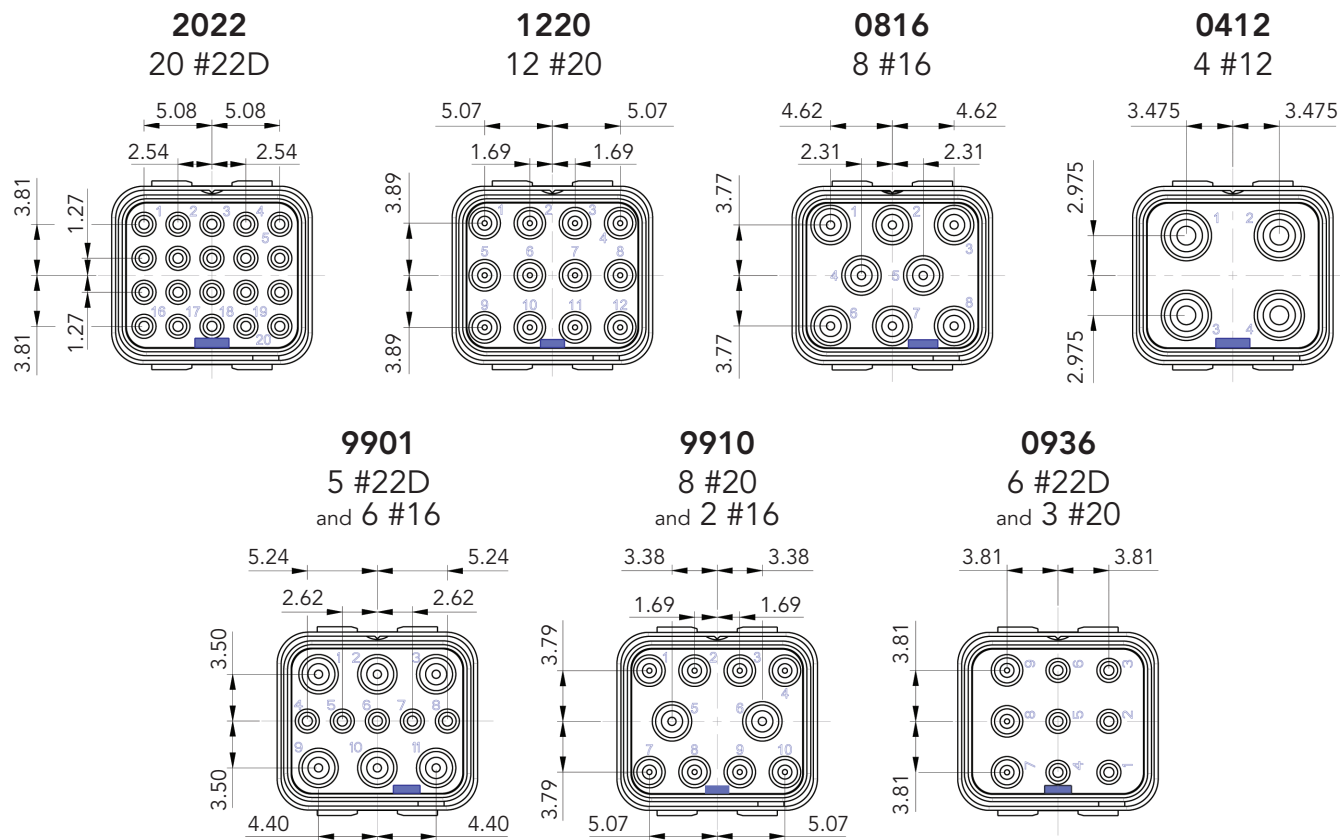
Straight PC tail version modules



Contact size	#22D	#20	#16	#12
ØL max (mm)	0.7	0.85	1.25	1.85

Coordinates for PC tail terminations

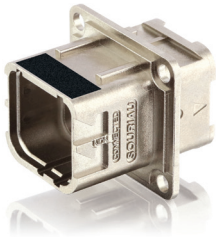
Viewed from front face of male module and rear face of female module



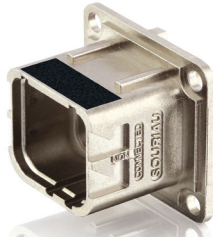
Note: All dimensions are in millimeters (mm).

Shell types

Type 7
Extended
receptacle



Type 0
Short receptacle
Box mounting



Type 6
Plug



5 colors coding keying

Polarization: **N**: Black / **A**: Red / **B**: Blue / **C**: Green / **D**: Yellow



Weights (in grams)

Type 7	7.5 max
Type 0	6.0 max
Type 6	10.6 max

Souriau ordering information

For type 0 & 7 only
Not marked on connector:
for delivery condition only.

Basic Series	8MQ	2	S	1	M	0	N	0	U	0
Module Series										
S: Shell										
1: Number of cavities										
M: Composite shell with nickel plating										
Shell type										
0: Short receptacle for box mounting										
6: Plug										
7: Extended receptacle										
Polarization: N, A, B, C, D see page 23										
Note: A colored patch corresponding to polarization is already applied directly on the shell. A color coding plate could be further assembled in order to increase visual differentiation.										
Coding plate for receptacle										
0: Without coding plate										
1: With coding plate										
Sealing gasket for receptacle										
U: Without sealing gasket										
G: With sealing gasket										
Nut plate for receptacle										
0: Without nut plate										
1: With nut plate										

Note: Shells delivered with non antistatic plastic protective caps. For more information about caps, please see page 27.

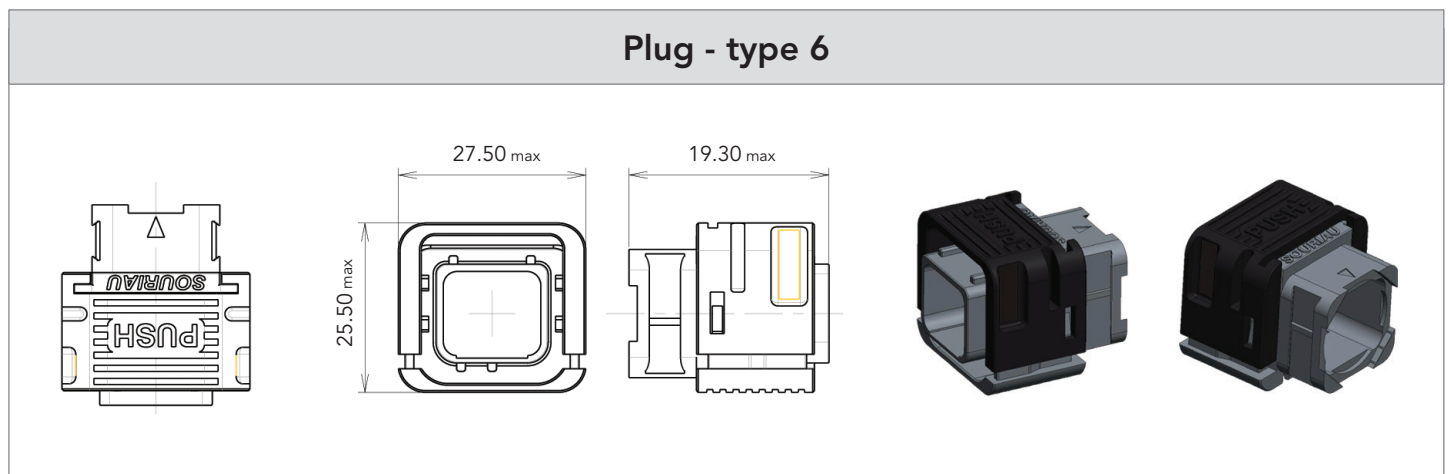
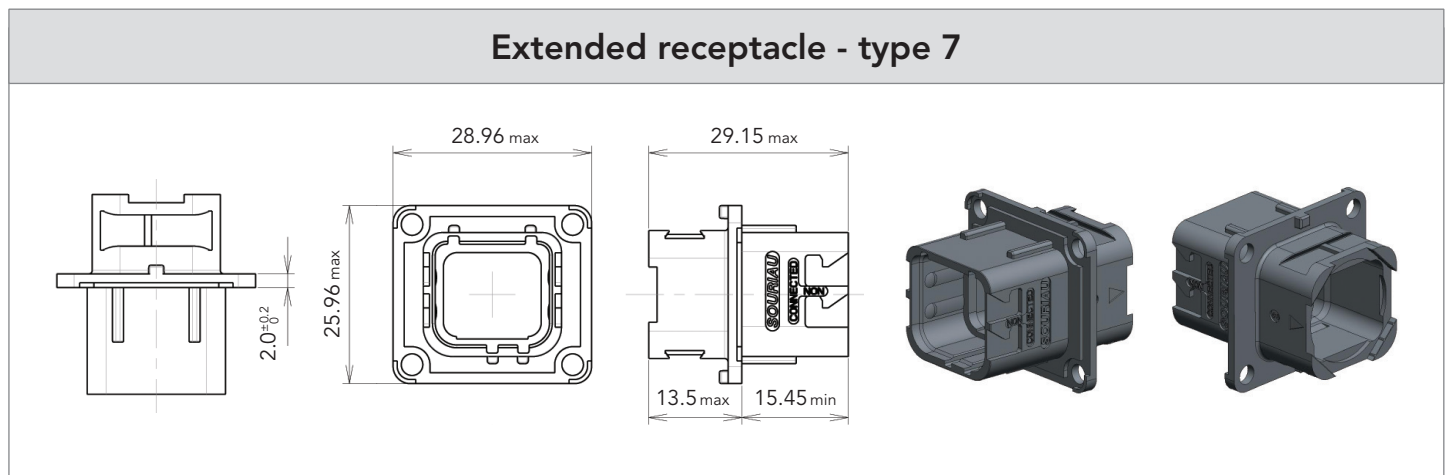
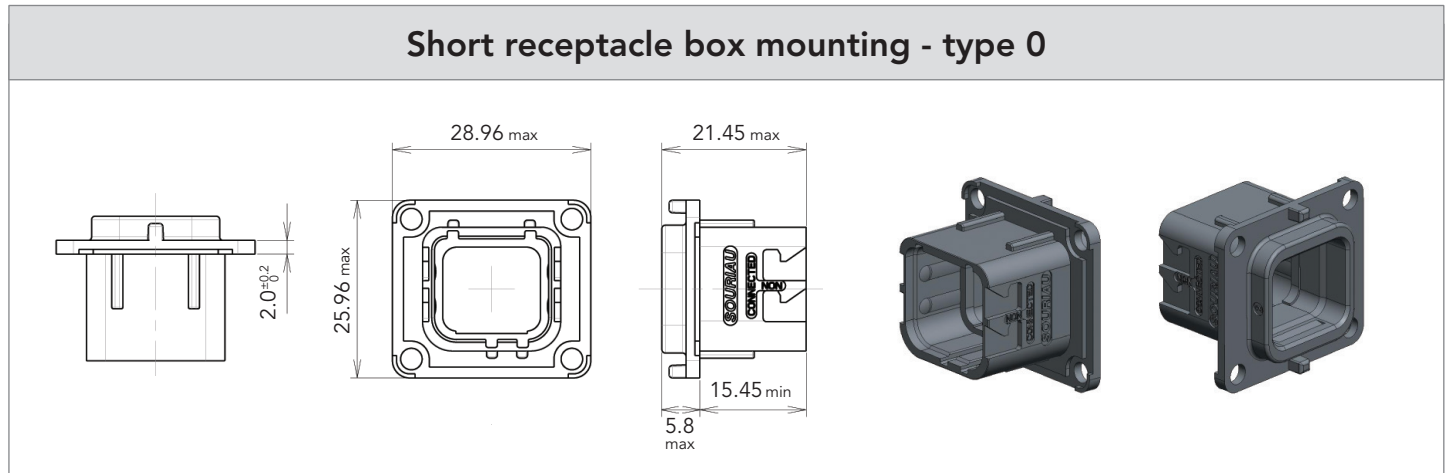
EN4165 ordering information

For type 0 & 7 only
Not marked on connector:
for delivery condition only.

Basic Standard	EN4165	M	6	1	A	N			
M: Composite shell with nickel plating									
Shell type									
0: Short receptacle for box mounting									
6: Plug									
7: Extended receptacle									
1: Number of cavities									
A: Module type series 2									
Polarization: N, A, B, C, D see page 23									
Note: A colored patch corresponding to polarization is already applied directly on the shell. A color coding plate could be further assembled in order to increase visual differentiation.									
Coding plate for receptacle									
0: Without coding plate									
1: With coding plate									
Sealing gasket for receptacle									
U: Without sealing gasket									
G: With sealing gasket									
Nut plate for receptacle									
0: Without nut plate									
1: With nut plate									

Note: Shells delivered with non antistatic plastic protective caps. For more information about caps, please see page 27.

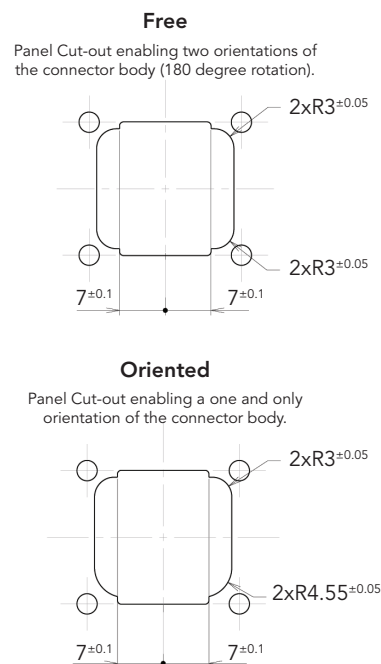
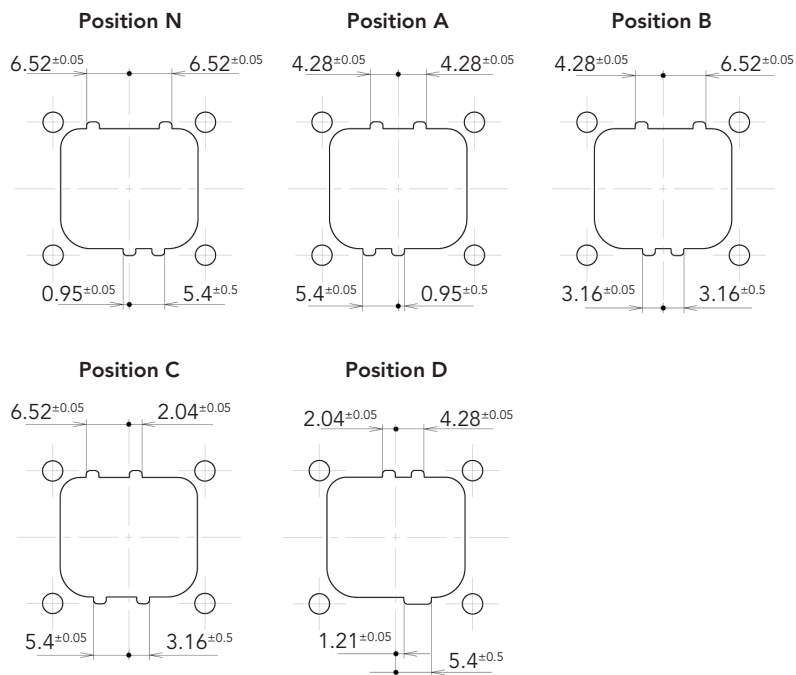
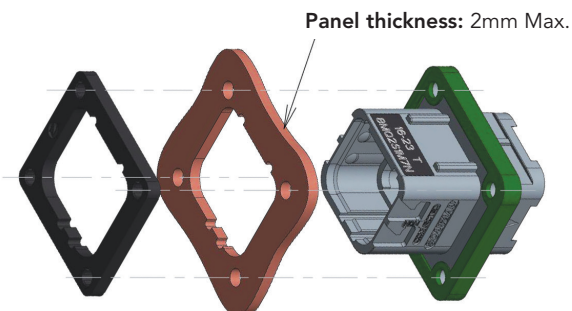
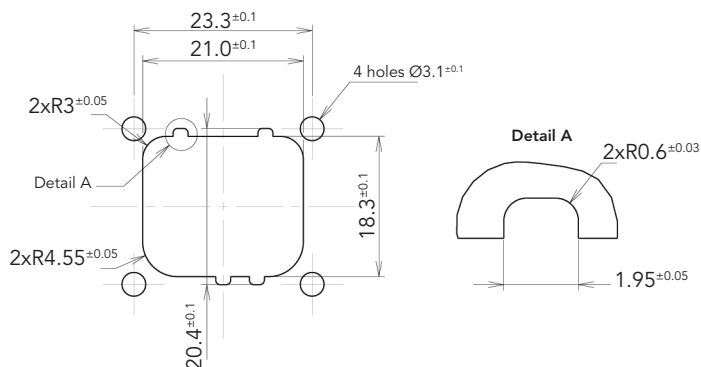
Dimensions



Note: All dimensions are in millimeters (mm).

Polarization and Panel cut-out

Generic dimensions



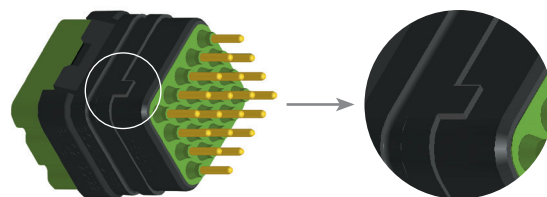
Compatibilities with modules

Module polarization	Shell polarization				
	Monocavity All polarization	A	B	C	D
N	OK	OK	OK	OK	OK
A	OK	OK			
B	OK		OK		
C	OK			OK	
D	OK				OK

In case of monocavity configuration, any module could be inserted in any shell: the shell polarization is effective only at mating stage between plug and receptacle.

Keying on module

Polarizations: N (universal), A, B, C or D



Note: All dimensions are in millimeters (mm).

Backshells



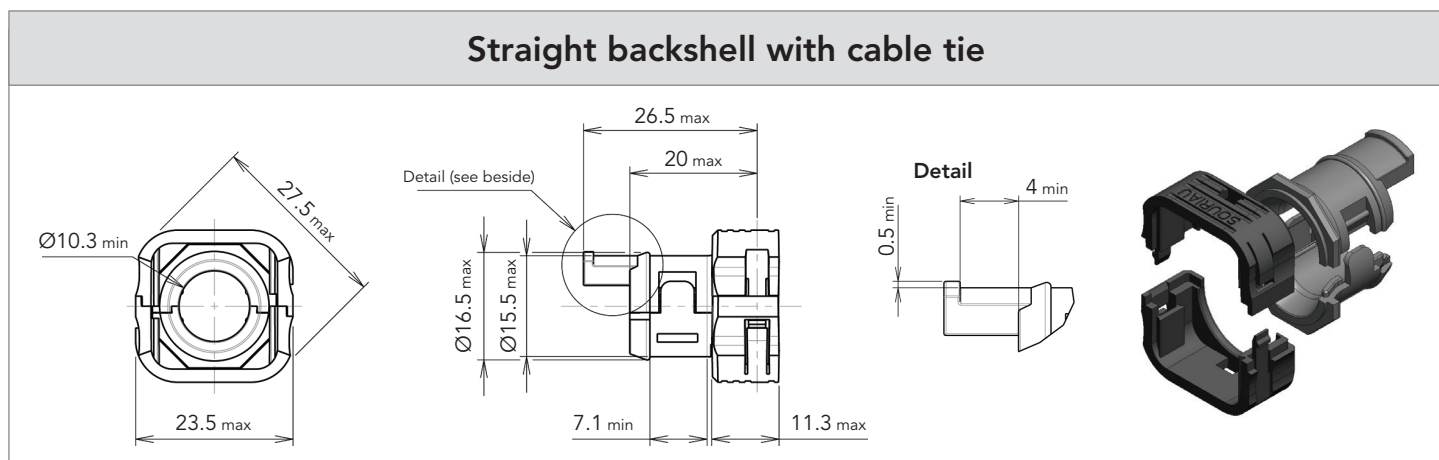
Souriau ordering information

Basic Series (Series 2)	8MQ2	B	1	M	26	10A
B: Backshell						
1: Number of cavities, for other configuration please consult us.						
M: Composite shell with nickel plating, for other configuration please consult us.						
26: Standard EN4165-026 code						
Backshell type						
10A: Straight with cable tie						
20A: 45° angle with cable tie						
30A: 90° angle with cable tie						

EN4165 ordering information

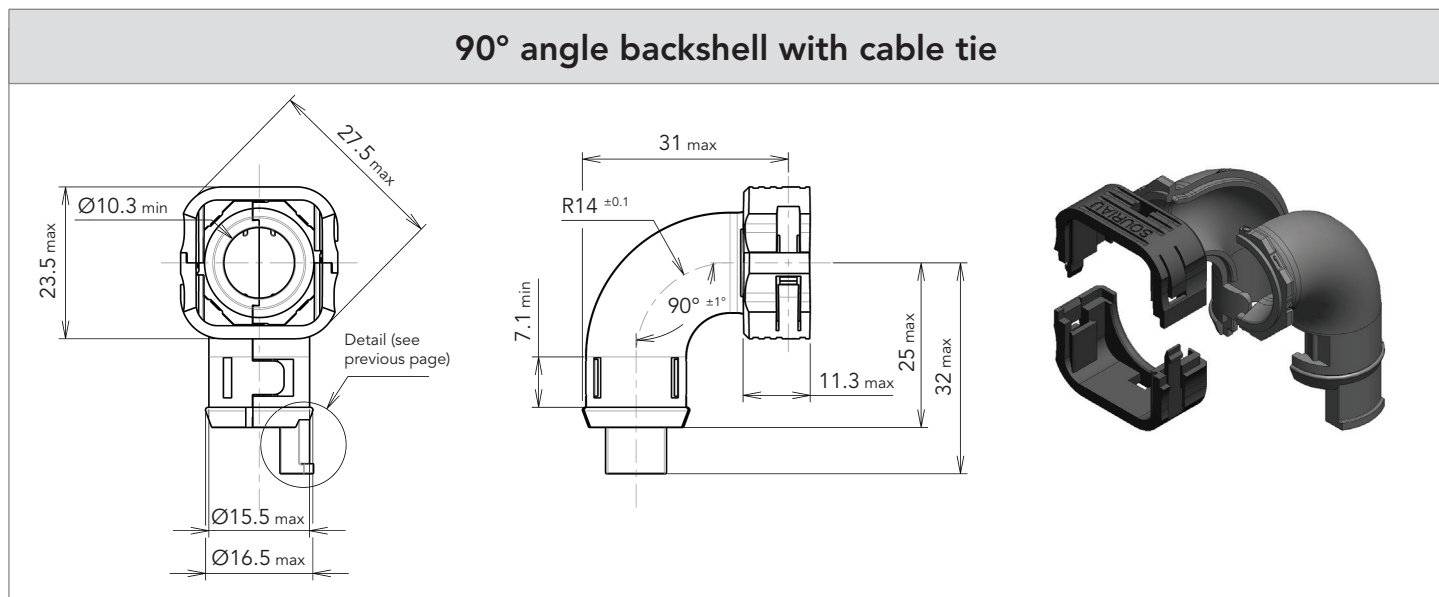
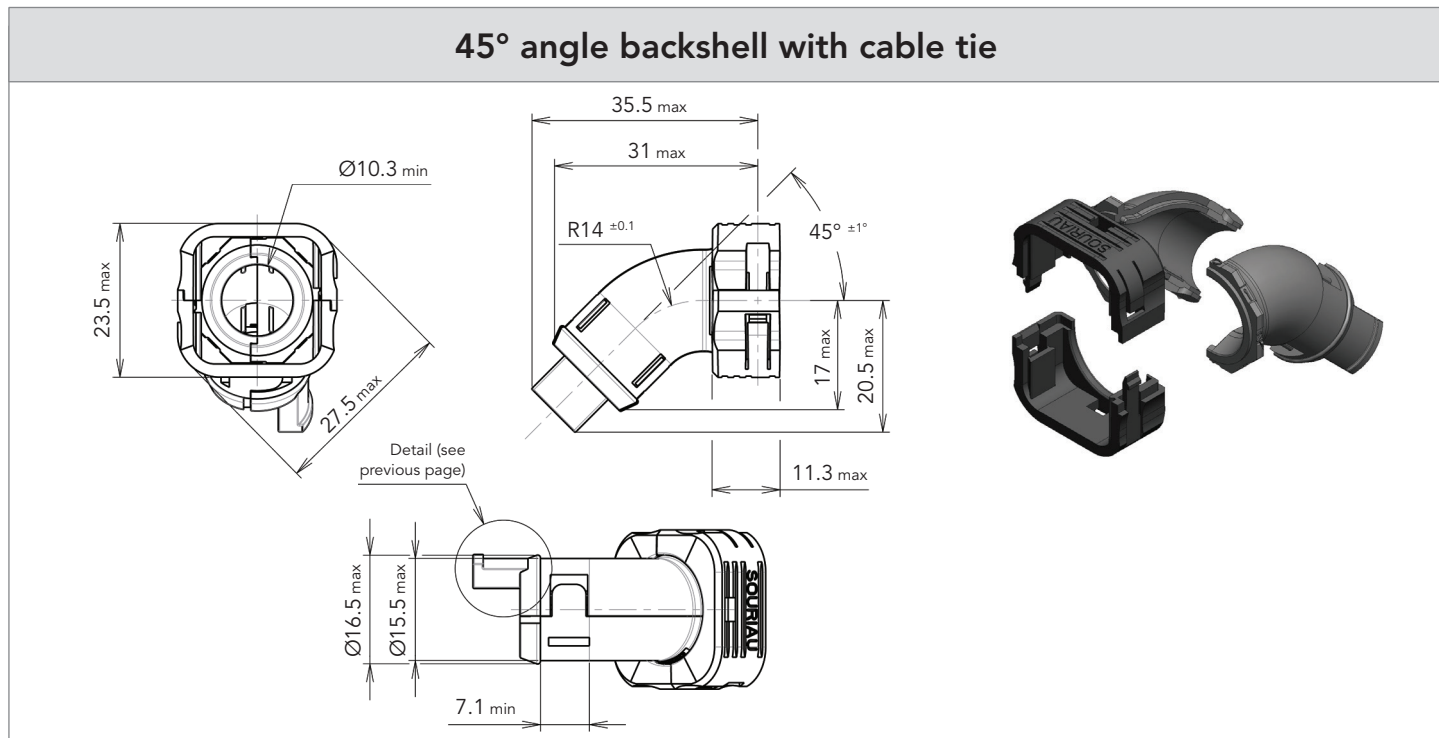
Basic Standard (Series 2)	EN4165026	M	10A
M: Composite shell with nickel plating.			
Backshell type			
10A: Straight with cable tie			
20A: 45° angle with cable tie			
30A: 90° angle with cable tie			

Dimensions



Note: All dimensions are in millimeters (mm).

Dimensions



Note: All dimensions are in millimeters (mm).

Weights (in grams)

Straight	5.6 max
45° angle	5.7 max
90° angle	7.3 max

Color coding plate, Nut plate and Panel gasket

Color coding plate



Nut plate



Panel gasket



Souriau ordering information

Basic Series (Series 2)	8MQ2	A	1	E	25
A: Accessory					
1: Number of cavities, for other configuration please consult us.					
Accessory type					
C: Color coding plate					
D: Nut plate					
E: Panel gasket					
25: Standard EN4165-025 code					
Polarization (only for color coding plate): N, A, B, C, D see page 23 and below					

EN4165 ordering information

Basic Standard (Series 2)	EN416525	E
Accessory type		
C: Color coding plate		
D: Nut plate		
E: Panel gasket		
Polarization (only for color coding plate): N, A, B, C, D see page 23 and below		

Color coding plates

Polarization	Color
N	Black
A	Red
B	Blue
C	Green
D	Yellow

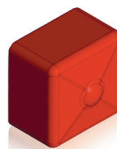
Weights (in grams)

Color coding plate	1.2 max
Nut plate	1 max
Panel gasket	0.8 max

Protective caps

Shell caps

Non antistatic plastic protective cap (delivered with mechanics)	Part number	Weight
for not grounded receptacle	8990 0475 A	3.0 g
for not grounded plug	8990 0476 A	4.3 g



Module caps

Part number	Weight
8990 0443 A	2.1 g



For antistatic plastic protective cap, please consult us.

Module o-ring

Part number	Weight
8990 0035 A	0.05 g



Crimping tools

Contact size	Contact type	Plier M22520/1-01	Plier M22520/2-01 (Souriau 8476-01)
		Turret part number	Locator part number
#22D	Pin	-	M22520/2-09
	Socket	-	M22520/2-07
#20	Pin & Socket	M22520/1-04	M22520/2-10
#16	Pin & Socket	M22520/1-04	-
#12	Pin & Socket	M22520/1-04	-

Contact size	Contact type	Plier M300BT	Pneumatic plier M22520/23-01	
		Locator part number	Turret part number	Locator part number
#8 Power	Pin & Socket	SP 593	M22520/23-02	8599 9601

Contact size	Contact type	Plier M22520/1-01 for inner contact	Plier M22520/5-01 for outer body
		Locator part number	Die set part number
#8 Quadrax	Pin & Socket	K 709	M22520/5-45

Contact insertion/extraction tools

Contact size	Material	Part number		Color	
		MIL standard	Souriau	Insertion	Extraction
#22D	Plastic	M81969/14-01	-	Green	White
#20	Plastic	M81969/14-10	-	Red	Orange
#16	Plastic	M81969/14-03	-	Blue	White
#12	Plastic	M81969/14-04	-	Yellow	White
#8	Plastic	M81969/14-06	-	-	Red
	Metallic	-	8660 197	-	-

Crimp contacts - 0.8µm gold plated, without color code

Signal contacts

Contact size	Contact type	Souriau Part number	EN3155 Part number	M39029 Part number	Contact Ø	Conductor section AWG		Conductor section mm ²		External Ø over insulator	
						Min	Max	Min	Max	Min	Max
#22D	Pin	8599 5002 900	EN3155008M2222	M39029/58-360	0.76	26	22	0.12	0.40	0.71	1.37
	Socket	8599 5015 900	EN3155003F2222	M39029/57-354							
#20	Pin	8599 5003 900	EN3155008M2020	M39029/58-363	1.00	24	20	0.21	0.60	1.02	2.11
	Socket	8599 0711 900	-	M39029/57-357							
#16	Pin	8599 7921 900	EN3155008M1616	M39029/58-364	1.60	20	16	0.60	1.34	1.65	2.77
	Socket	8599 5012 900	EN3155003F1616	M39029/57-358							
#12	Pin	8599 5005 900	EN3155008M1212	M39029/58-365	2.40	14	12	1.91	3.18	2.46	3.61
	Socket	8599 5013 900	EN3155003F1212	M39029/57-359							

Power contacts without sealing sleeves

Contact size	Contact type	Souriau Part number	EN3155 Part number	Contact Ø	Conductor section AWG		Conductor section mm ²		External Ø over insulator	
					Min	Max	Min	Max	Min	Max
#8 Power	Pin	8599 6215 900	EN3155065M0808	3.64	-	8	-	8.98	4.10	4.40
	Socket	8599 6217 900	EN3155083F0808*							

*superseeds EN3155066F0808

Sealing sleeve for Power contact - Delivered with contact #8 only

Cable size	Without cable tie device (after ABS0992)		With cable tie device (after ABS2089)	
	Part number	Weight	Part number	Weight
#8	8990 0570A	1.27 g	8990 0573A	1.61 g
#10	8990 0571A	1.29 g	8990 0574A	1.63 g

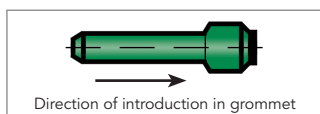
Quadrax contacts without sealing sleeves

Contact size	Contact type	Souriau Part number	EN3155 Part number	Impedance	Release	T° Max
#8 Quadrax	Pin	ETH11351A	EN 3155 074 M08	100Ω	Rear	150°C
	Socket	ETH11352A	EN 3155 075 F08	100Ω	Rear	150°C

Sealing sleeve for Quadrax contact, please consult us.

Filler plugs

Contact size	Souriau		MS (Rev. N)	
	Part number	Color	Part number	Color
#22D	8660 212	Black	MS27488 222	Black
#20	8522 389A	Red	MS27488 202	Red
#16	8522 390A	Blue	MS27488 162	Green
#12	8522 391A	Yellow	MS27488 122	Orange



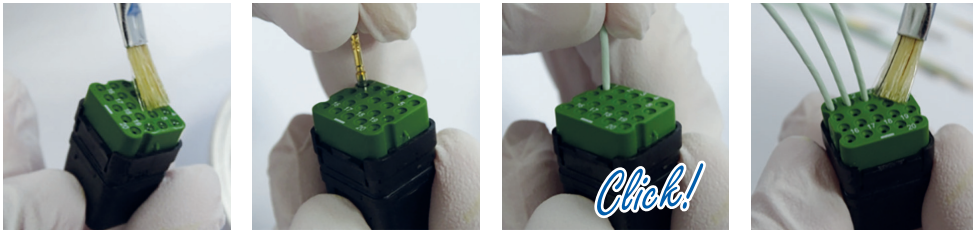
These filler plugs are installed at the rear of unwired contact to maintain connector sealing. The sealing performance is guaranteed when all the cavities of a module are populated, whether with a contact or a filler plug. As long as the standard sealing performance is not required, a partial population of the cavities is possible.

Dummy contacts

Contact size	Part number
#16	8599 6A016001A
#8	8599 0308



Contact insertion

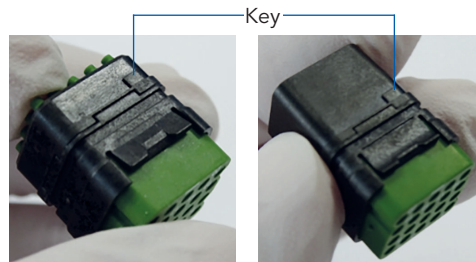
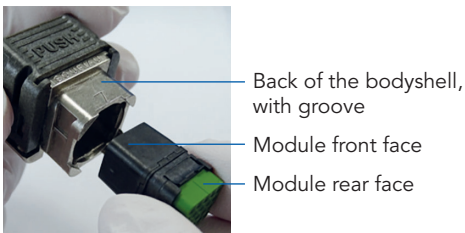


To facilitate the contact insertion, lubricate with isopropyl alcohol.

Insert contact with wire manually or with insertion tool until you hear "Click".

Repeat lubrication operation every 4 or 5 contacts.

Module mounting



Male module

Female module



For non sealed modules, with or without wires: Manually push the module until you hear "Click".



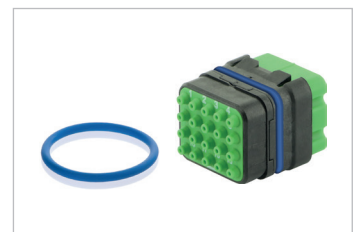
For sealed module, use insertion tool and lubricate the seal with isopropyl alcohol.

Module unmounting



Use extraction tool.
Align tool pin with shell.

Extract the module out of the shell.



After each removal, place a new o-ring, part number 8990 0035A.

MQuick SERIES

MQuick Series

Going Further

■ Modularity:		
ARINC 600 Series		32
■ Miniature:		
micro3899 Series		32
■ Rectangular:		
<i>microComp</i> ® Series		33
D-Subminiature Series		33
■ Push-Pull:		
JBX Series.....		34
8D8/8D Series		34

Modularity

ARINC 600 Series

Rack & Panel, rectangular, modular and high density connectors: build the connector that exactly matches your requirements.

Rackable solution and easy maintenance

- . Blind mate, clearance device for better rackability.
- . Low insertion force.
- . Front and rear release removable contacts.

Modular solution:

- . A wide range of insulators compliant for all types of technologies: signal, power, high speed and fiber optic.
- . Compliant for PCB, flex circuit and harness implementation.

High density solution:

- . Up to 800 #22 signal contacts.
- . Up to 56 #8 quadrax contacts.



See «ARINC 600 Series, Rack & Panel Rectangular Connectors» catalog on www.souriau.com

Miniature

micr 38999

A complete miniature range: threaded (8DA), break away (8BA) & bayonet (8LTA). Space saving with scoop proof connector for harsh applications.

A compact solution:

- . Diameter up to 45% smaller than size 9 (D38999).
- . Up to 50% shorter.
- . Integrated backshell: Cost and space saving.

A high density solution:

- . With #26 contacts (according to 39029).
- . 5 layouts (size 3, 5 and 7 with #22 & #26).

Excellent features:

- . Designed for D38999 requirements.
- . IP67 sealing when mated.
- . Stainless steel shell (1500 matings) & aluminum shell (500 matings).

RoHS and Cadmium free:

- . Available in zinc nickel (RoHS) plating, as well as nickel and olive drab cadmium.



See «micro38999 Series, High Vibration Miniature Connectors» catalog on www.souriau.com

Rectangular

microComp® Series

To respond to miniaturization and weight saving trends in aeronautical and defense applications Souriau has developed an innovative high density connector range.

Very light & high density:

- . Shell in composite (or aluminum).
- . Up to 66% lighter than HD D-Sub.
- . Very high density up to 40% smaller than HD D-Sub.

Excellent features:

- . With crimp removable contacts for wire AWG 24 to 28.
- . Temperature up to 175°C.
- . High vibration and shock withstanding.
- . Standard MIL-STD 83513 accessories.
- . Compatible with high speed data rates (Gigabit Ethernet...).

Quick connect version:

- . MCQL *microComp*® Quick Latch.



D-Subminiature Series

Connectors designed to ensure the connection function in all applications where weight and dimension are very important. Especially used as Input/Output connectors in interface functions. Compliant with MIL/HE/NFC.

Space saving:

- . Miniature design.

A wide range:

- . 8630, SMA, 8635, hermetic, feedthrough.

Removable crimp contacts:

- . Size 20 for the Mark III.
- . Size 22D for the High Density Series.
- . PC tail version available.

Versatility:

- . Easy to handle.



Push-Pull

JBX Series

Push-Pull locking mechanism: only requires two fingers to mate/unmate securely with an audible, tactile and visual indicator, capable of mating over 1,000 times.

IP68 in mated and unmated conditions:

- . Ideal for outdoor applications with temporary or continuous water immersion and dust protection.

Signal integrity, 360° EMI shielded:

- . Less than 5mΩ: qualified and compatible to be used in electromagnetic radiation areas and ensures proper signal integrity and transmission.

High density layouts:

- . Ideal for compact devices due to small footprint.
- . The use of 0.5mm contacts along with miniature housing makes it suitable for tight applications.



See «JBX Series, Push-Pull Coupling Mechanism» catalog on www.souriau.com

8D8/8D9 Series

**8D8: high vibration push-pull connector.
8D9: lanyard release, high performance 38999 quick release.**

A wide range with excellent performances:

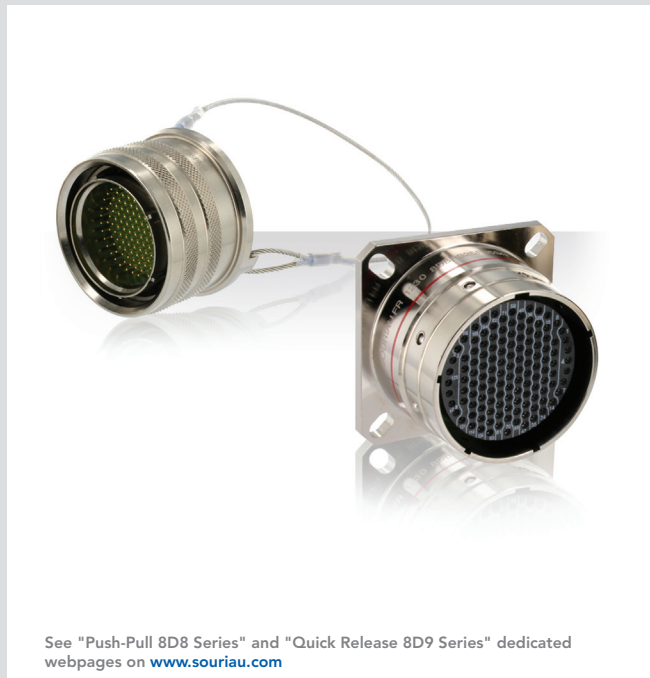
- . MIL-DTL-38999 layouts and contacts.
- . MIL-DTL-38999 Series electric performances.
- . Scoop proof.
- . Compatible with standard backshells 38999 Series III.
- . Very high performance coupling with ball locking concept, confirmation of locking by free ring when mated.

Easy to connect-disconnect:

- . 8D8: ideal for restricted space mating.
- . 8D9: simple push to connect - pull to disconnect.

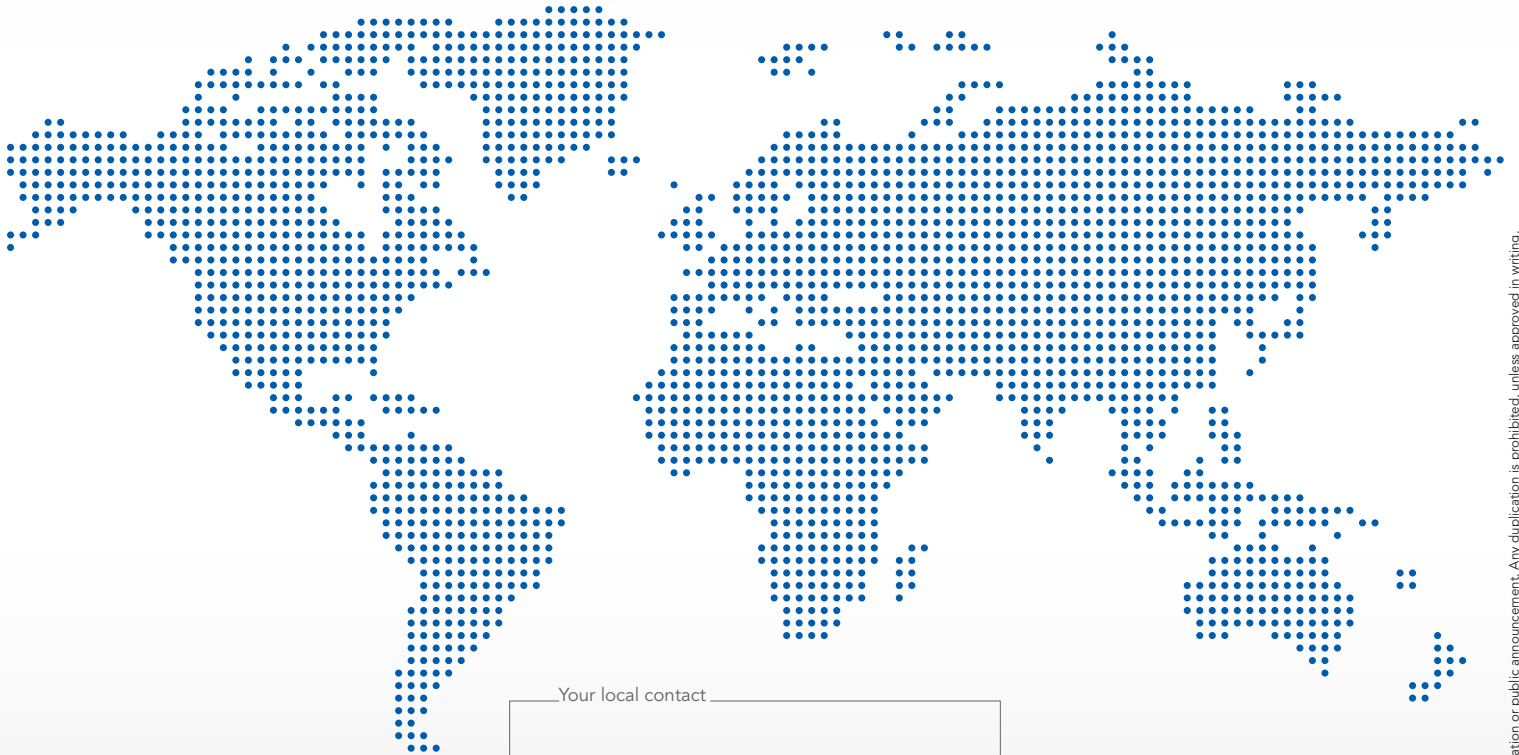
High vibration performance:

- . Up to 44g
- . 8D8: ideal for mil-aero and space applications.
- . 8D9: ideal for missiles, UAVs, space probes, ...



See "Push-Pull 8D8 Series" and "Quick Release 8D9 Series" dedicated webpages on www.souriau.com

Reliable People, Reliable Solutions



Your local contact



Our contribution to environmental protection:
This catalog is printed on PEFC certified paper
Advancement of sustainable wood cultivation. www.pefc.org

www.souriau.com
technical.emear@souriau.com (Europe - Asia - Africa)
technical.americas@souriau.com (North America)



SOURIAU - SUNBANK
Connection Technologies