



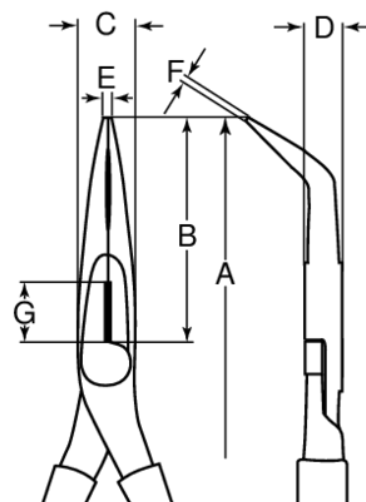
2427V

VDE Insulated 45° Tip Angled Snipe Nose Pliers



PRODUCT DETAILS




- Dip-coated insulation
- 3-layer safety colour code insulation
- For working on live equipment up to 1000 V according to IEC 60900
- Tip angled at 45°
- Sharp edges for cutting softer material such as copper and plastic insulated wire
- High performance alloy steel body
- Chrome plated and anti-corrosion treated finish
- Standards: ISO 5745
- 3 Multi-layer coating with different colours indicating safety, danger or high danger. Plus a 4th one in black to further protect handle edges
- This provides protection as well as creating a visual warning system
- If the outer insulation layer gets damaged, the lighter colour underneath will become visible and warn the user
- Each and every tool is tested to 10.000V for 10 seconds at the end of the manufacturing cycle



Follow the Fish!



PRODUCT ATTRIBUTES

Product	A	B	C	D	E	F	G	 Cu	 Fe	 g
2427V-200	200 mm	70 mm	17 mm	9 mm	2 mm	2 mm	12 mm	3.0 mm	1.8 mm	170 g

Follow the Fish!

