

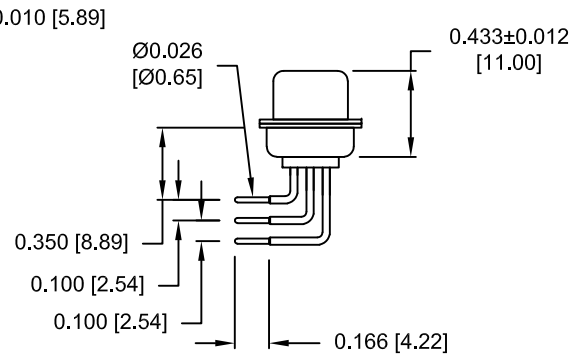
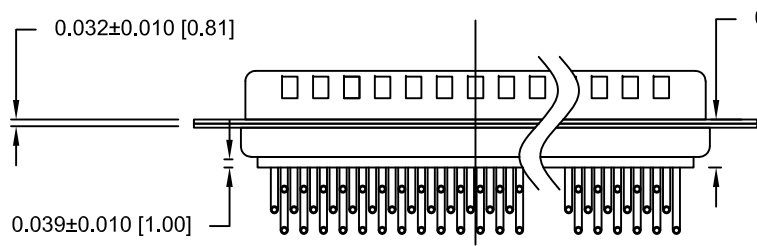
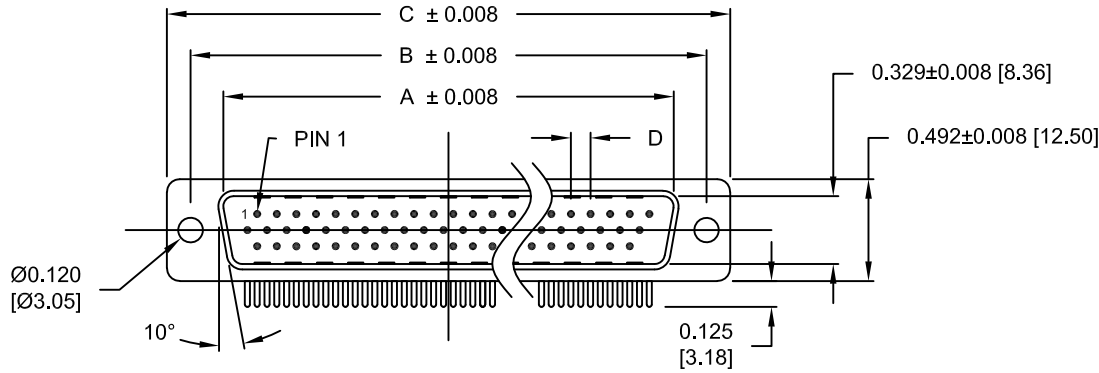
DESCRIPTION: HIGH DENSITY - MACHINED CONTACTS - RIGHT ANGLE

**MATERIALS AND FINISH:**

SHELL: STEEL MATERIAL, NICKEL FINISH  
 INSULATOR: (SEE CHART) =260°C,  
 UL 94V-0 RATED, BLACK  
 CONTACT MATERIAL: BRASS  
 CONTACT FINISH: SELECTIVE GOLD FINISHED

**ELECTRICAL:**

CONTACT CURRENT RATING: 5 AMPS  
 CONTACT RESISTANCE: 10 mOHMS Max.  
 DIELECTRIC WITHSTANDING VOLTAGE: 1,000VAC Min.  
 INSULATION RESISTANCE: 5 GOHMS Min.  
 TEMPERATURE RATING: -55° ~ +125° C



**181-MYY-1YYRYYY**

SERIES \_\_\_\_\_  
 MACHINED CONTACTS \_\_\_\_\_  
 POSITIONS \_\_\_\_\_  
 15 \_\_\_\_\_  
 26 \_\_\_\_\_  
 44 \_\_\_\_\_  
 62 \_\_\_\_\_  
 GENDER \_\_\_\_\_  
 1 = MALE \_\_\_\_\_  
 TERMINATION \_\_\_\_\_  
 1 = RIGHT ANGLE \_\_\_\_\_  
 SHELL PLATING \_\_\_\_\_  
 3 = NICKEL \_\_\_\_\_  
 RoHS COMPLIANT \_\_\_\_\_  
 HARDWARE OPTIONS \_\_\_\_\_  
 14 = BRACKET WITH #4-40 INSERT, BOARD LOCK AND LOCATOR PLATE  
 46 = BRACKET WITH #4-40 SCREW LOCK, BOARD LOCK AND LOCATOR PLATE  
 PLATING OPTIONS \_\_\_\_\_  
 1 = GOLD FLASH, ENTIRE CONTACT  
 2 = 30u" GOLD, ENTIRE CONTACT  
 3 = 50u" GOLD, ENTIRE CONTACT

**DIMENSIONS (IN.)**

| No. OF PINS | A     | B     | C     | D     | Insulator Material |
|-------------|-------|-------|-------|-------|--------------------|
| 15          | 0.665 | 0.984 | 1.213 | 0.090 | PA9T               |
| 26          | 0.994 | 1.311 | 1.543 | 0.090 | PA9T               |
| 44          | 1.534 | 1.852 | 2.088 | 0.090 | PA9T               |
| 62          | 2.181 | 2.500 | 2.732 | 0.095 | PA6T               |

**DIMENSIONS (mm)**

| No. OF PINS | A     | B     | C     | D    | Insulator Material |
|-------------|-------|-------|-------|------|--------------------|
| 15          | 16.90 | 25.00 | 30.80 | 2.29 | PA9T               |
| 26          | 25.25 | 33.30 | 39.20 | 2.29 | PA9T               |
| 44          | 38.95 | 47.05 | 53.05 | 2.29 | PA9T               |
| 62          | 55.40 | 63.50 | 69.40 | 2.41 | PA6T               |

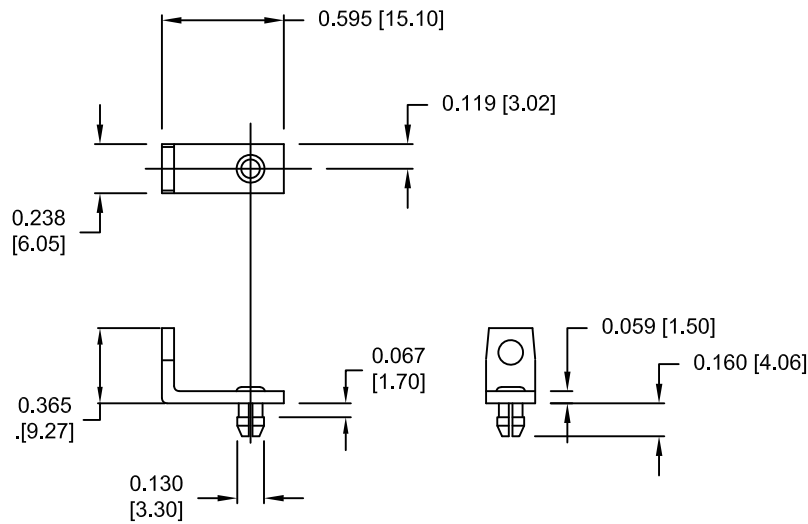
**RoHS COMPLIANT**

UNITS = INCHES [mm]

**DO NOT SCALE FROM DRAWING**

|                         |   |  |                 |                |
|-------------------------|---|--|-----------------|----------------|
|                         | THESE DRAWINGS AND SPECIFICATIONS ARE THE PROPERTY OF NorComp AND SHALL NOT BE REPRODUCED, COPIED OR USED AS THE BASIS FOR THE MANUFACTURE OF SALE OF APPARATUS WITHOUT WRITTEN PERMISSION. |  | DRAWN: C. SMITH | DATE: 03-16-07 |
|                         | <b>NorComp</b>  |  | SCALE: NTS      | SHEET 1 OF 4   |
| DWG NO. 181-MYY-1YYRYYY |   |  |                 |                |

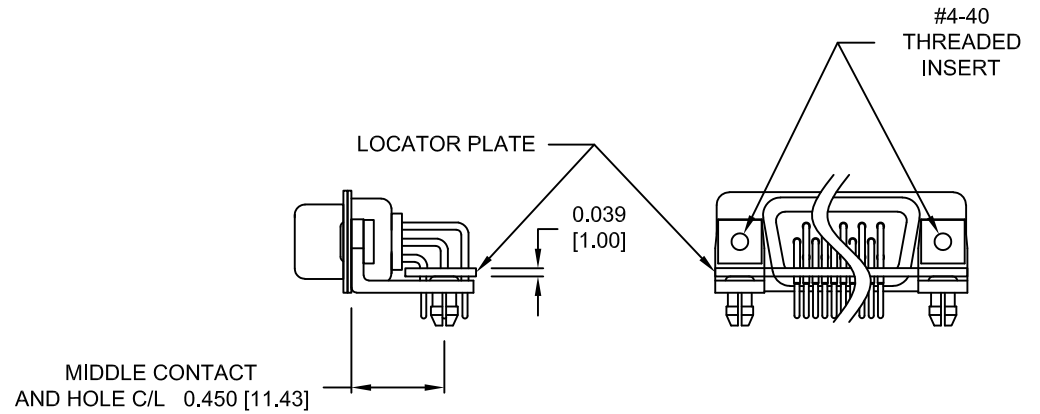
DESCRIPTION: HIGH DENSITY - MACHINED CONTACTS - RIGHT ANGLE



MOUNTING BRACKET WITH BOARD LOCK

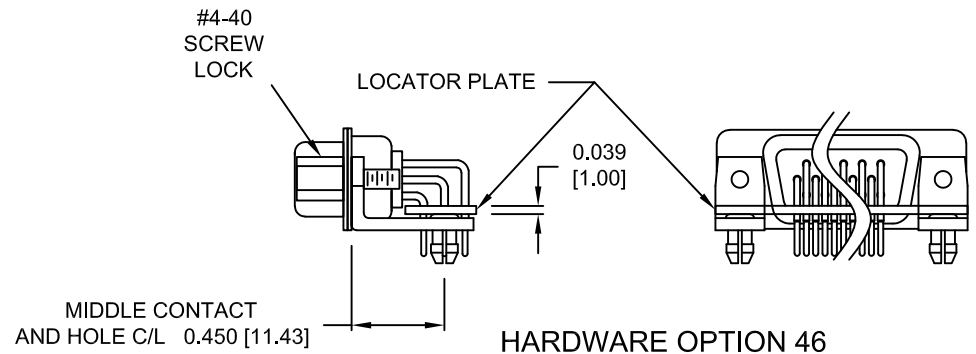
MATERIAL: COLD ROLLED STEEL

PLATING: CLEAR ZINC



HARDWARE OPTION 14

BRACKETS MOUNTED ON CONNECTOR WITH LOCATOR PLATE



HARDWARE OPTION 46

FOR CLARITY HIDDEN LINES NOT SHOWN

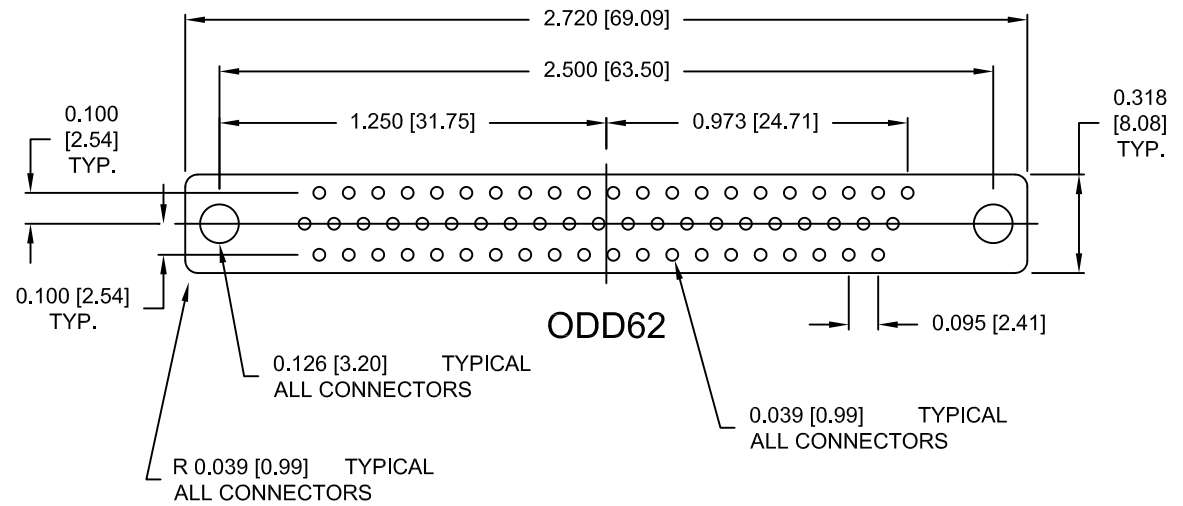
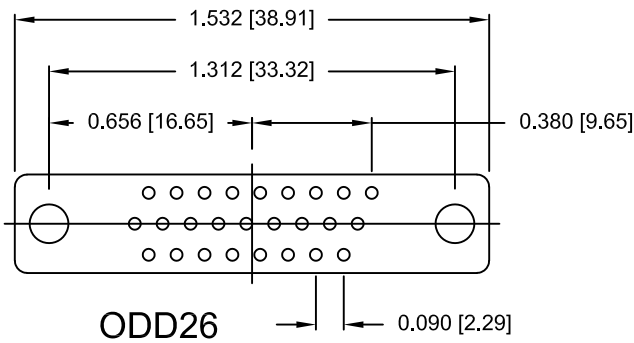
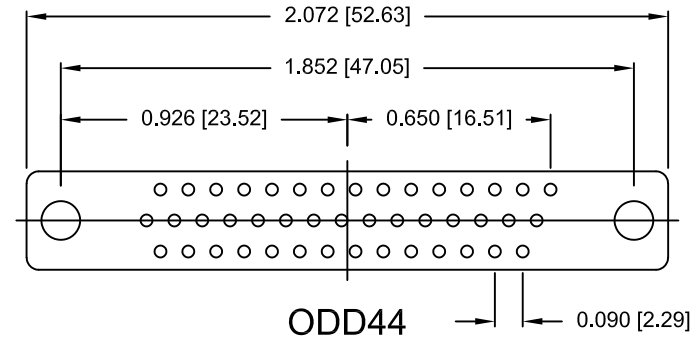
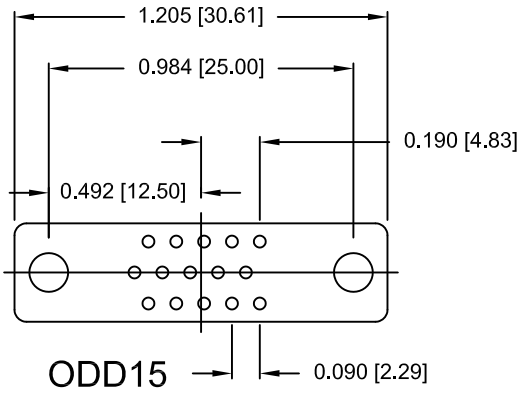
UNITS = INCHES [mm]

DO NOT SCALE FROM DRAWING

|                         |   |  |                 |                |
|-------------------------|---|--|-----------------|----------------|
|                         | THESE DRAWINGS AND SPECIFICATIONS ARE THE PROPERTY OF NorComp AND SHALL NOT BE REPRODUCED, COPIED OR USED AS THE BASIS FOR THE MANUFACTURE OF SALE OF APPARATUS WITHOUT WRITTEN PERMISSION. |  | DRAWN: C. SMITH | DATE: 03-16-07 |
|                         | NorComp   |  | SCALE: NTS      | SHEET 2 OF 4   |
| DWG NO. 181-MYY-1YYRYYY |   |  |                 |                |

DESCRIPTION: HIGH DENSITY LOCATOR PLATES - 15, 26, 44, 62 & 78

MATERIAL: INSULATION PAPER  
0.039" THICK



UNITS = INCHES [mm]

DO NOT SCALE FROM DRAWING



THESE DRAWINGS AND SPECIFICATIONS ARE THE PROPERTY OF NorComp AND SHALL NOT BE REPRODUCED, COPIED OR USED AS THE BASIS FOR THE MANUFACTURE OF SALE OF APPARATUS WITHOUT WRITTEN PERMISSION.

DRAWN: C. SMITH

DATE: 03-16-07

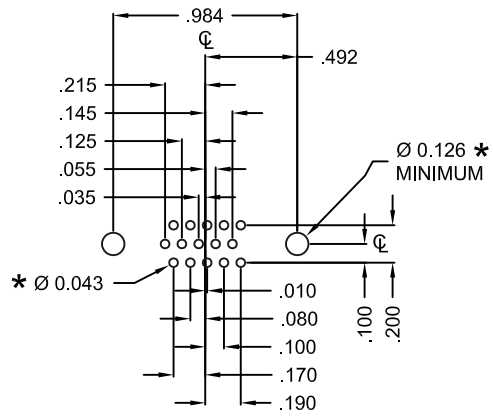
NorComp

SCALE: NTS SHEET 3 OF 4 REV 25

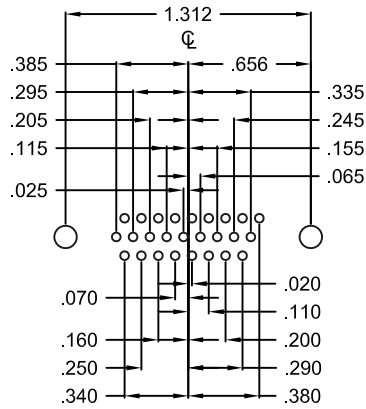
DWG NO. 181-MYY-1YYRYYY

RoHS COMPLIANT

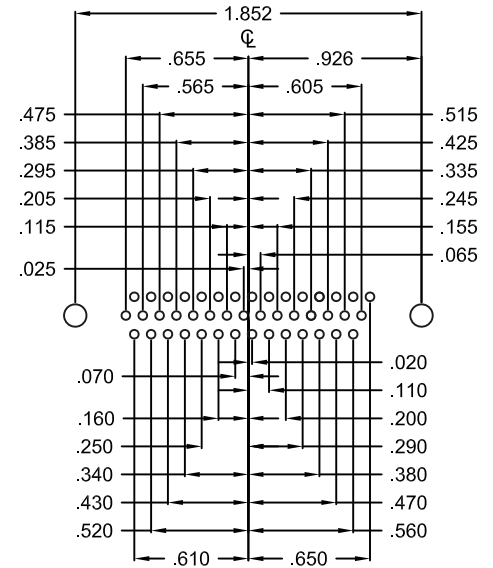
DESCRIPTION: HIGH DENSITY - MACHINED CONTACTS - RIGHT ANGLE



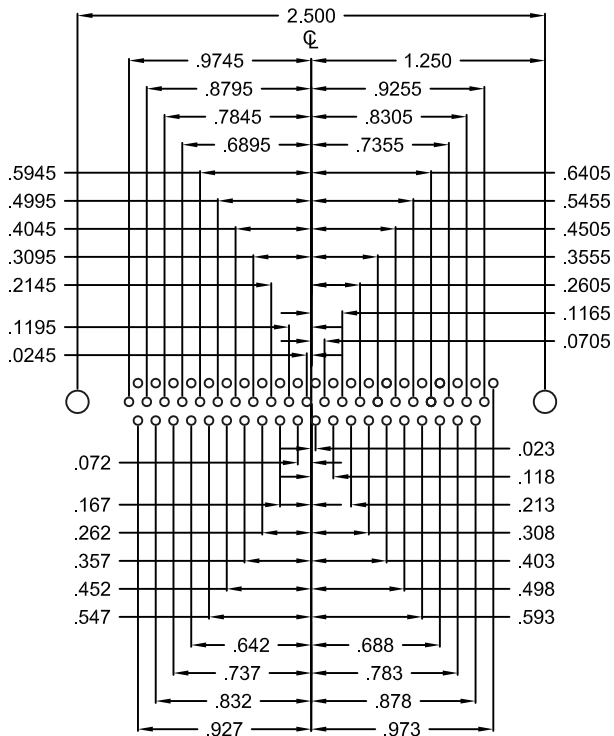
15 POSITION



26 POSITION



44 POSITION



62 POSITION

HOLE PATTERN SHOWN ARE FOR MALE

UNITS = inch

\* TYP. SUGGESTED SIZE MAY NOT BE SUITABLE FOR ALL APPLICATIONS

DO NOT SCALE FROM DRAWING

|                         |   |  |                 |                |
|-------------------------|---|--|-----------------|----------------|
|                         | THESE DRAWINGS AND SPECIFICATIONS ARE THE PROPERTY OF NorComp AND SHALL NOT BE REPRODUCED, COPIED OR USED AS THE BASIS FOR THE MANUFACTURE OF SALE OF APPARATUS WITHOUT WRITTEN PERMISSION. |  | DRAWN: C. SMITH | DATE: 03-16-07 |
|                         | NorComp   |  | SCALE: NTS      | SHEET 4 OF 4   |
| DWG NO. 181-MYY-1YYRYYY |   |  |                 |                |