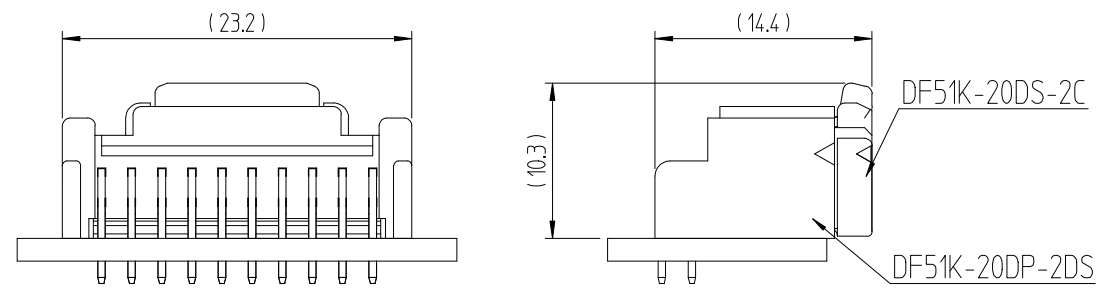
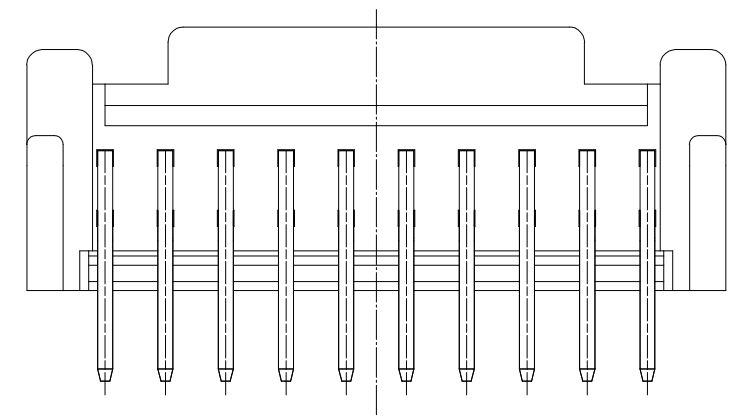
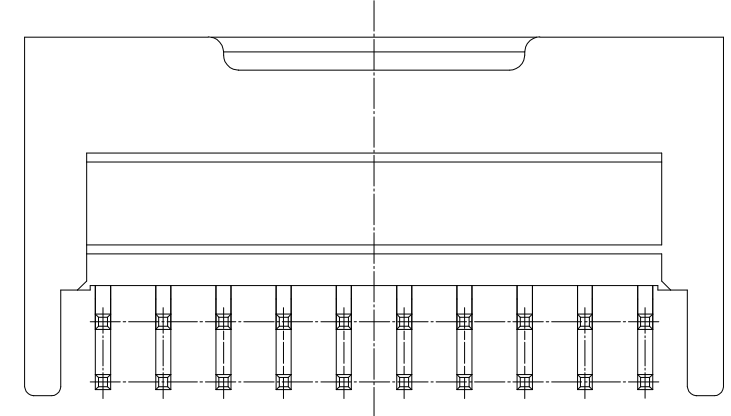
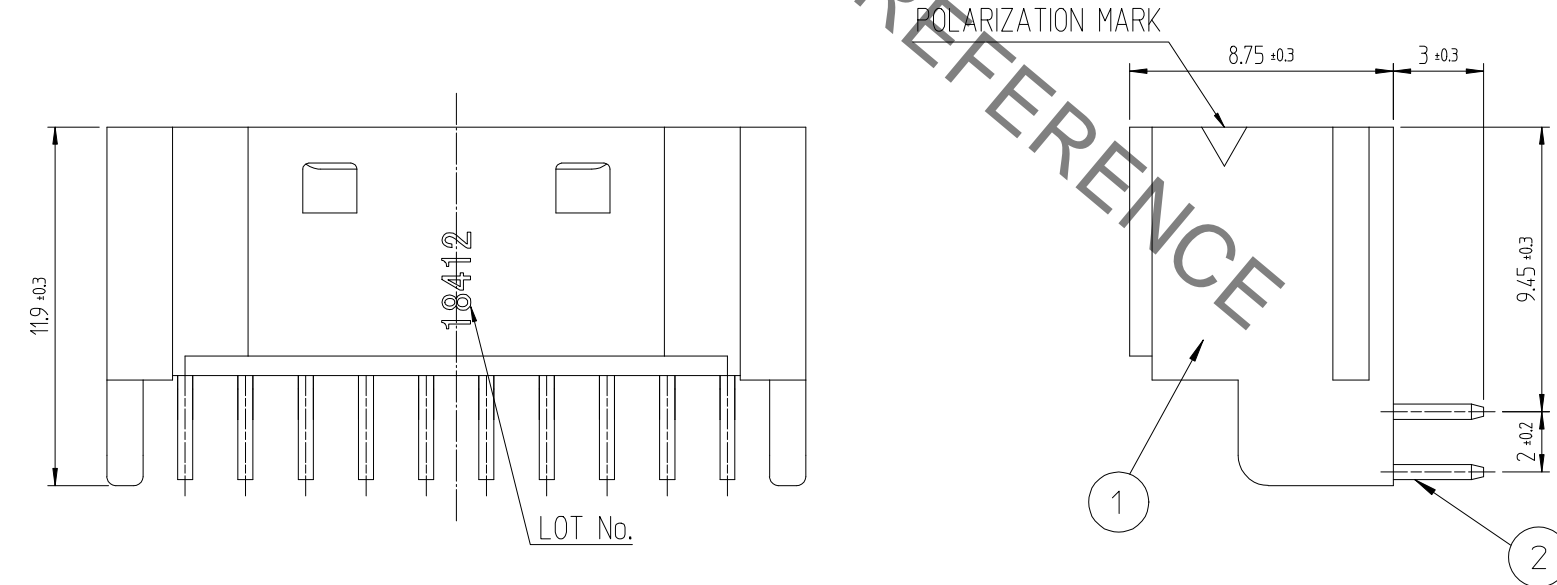
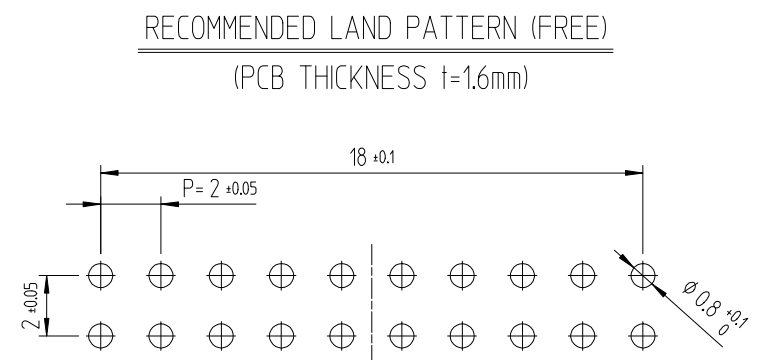
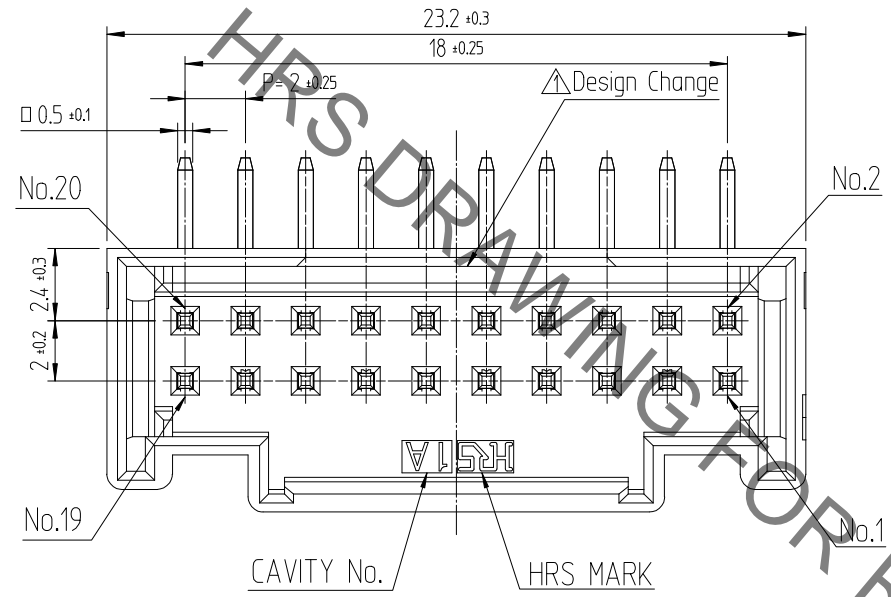


Dec.1.2019 Copyright 2019 HIROSE ELECTRIC CO., LTD. All Rights Reserved.  
In case of consideration for using Automotive equipment / device which demand high reliability, kindly contact our sales window

△數 COUNT	訂正事項 DESCRIPTION OF REVISIONS	擔當 B Y	檢圖 CHKD	年月日 DATE	△數 COUNT	訂正事項 DESCRIPTION OF REVISIONS	擔當 B Y	檢圖 CHKD	年月日 DATE
1	RE-6-1150	K.I.Y	L.S.M	18. 07. 04					



NOTE 1. 1TRAY CONTAINS 130PCS.  
2. ( )DIMENSIONS ARE ONLY REFERENCE.

1	PBT	UL94V-0, BLACK	2	BRASS	TIN PLATING 1μm MIN, OVER NICKEL 0.5μm MIN
NO.	MATERIAL	FINISH,REMARKS	NO.	MATERIAL	FINISH,REMARKS
CODE NO. (OLD)			DRAWN		
			DESIGNED		
			CHECKED		
			APPROVED		
			RELEASED		
 SCALE 4:1 UNITS mm			DRAWN CHOI 18.03.02 J.S		DESIGNED CHOI 18.03.02 J.S
CHECKED LIM 18.03.02 S.M		APPROVED KANG 18.03.02 T.S		RELEASED	
DRAWING NO. EDC3-632484			PART NO. DF51K-20DP-2DS (800)		
HRS HIROSE KOREA CO.,LTD.			CODE NO. CL 6652-0050-7-800		
					1/1