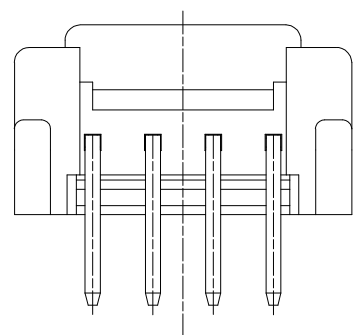
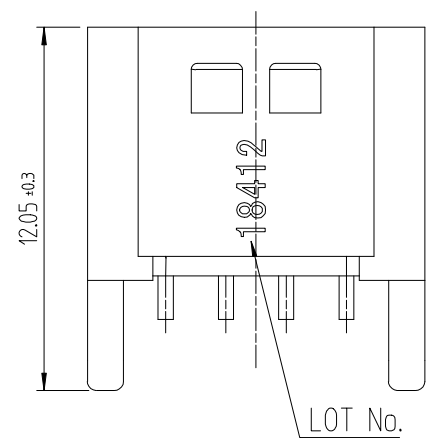
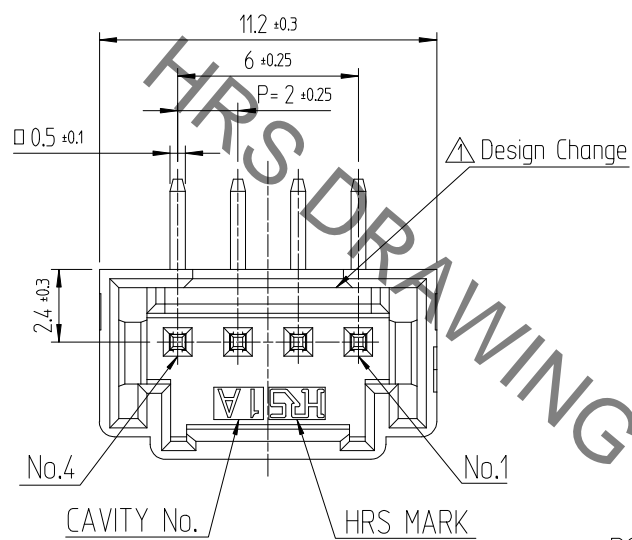
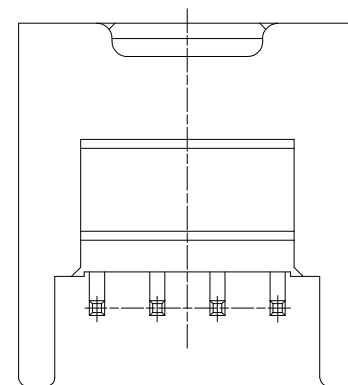
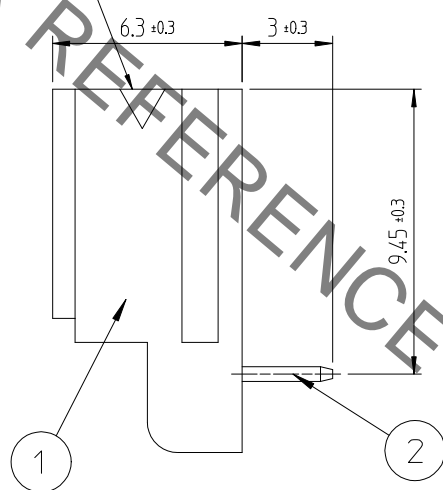


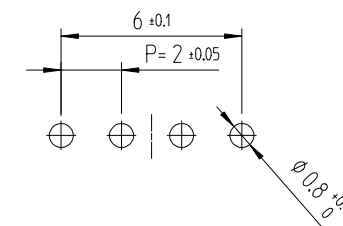
Dec.1.2019 Copyright 2019 HIROSE ELECTRIC CO., LTD. All Rights Reserved.  
In case of consideration for using Automotive equipment / device which demand high reliability, kindly contact our sales window



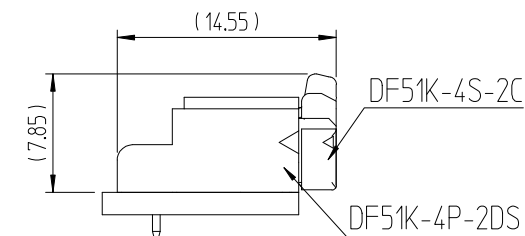
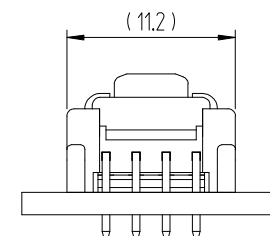
POLARIZATION MARK



RECOMMENDED LAND PATTERN (FREE)  
(PCB THICKNESS t=1.6mm)



ENGAGEMENT FIGURE (2:1)



△數 COUNT	訂正事項 DESCRIPTION OF REVISIONS	擔當 B Y	檢圖 CHKD	年月日 DATE	△數 COUNT	訂正事項 DESCRIPTION OF REVISIONS	擔當 B Y	檢圖 CHKD	年月日 DATE
1	RE-6-1150	K.I.Y	L.S.M	18. 07. 04					

NOTE 1. 1TRAY CONTAINS 270PCS.  
2. ( )DIMENSIONS ARE ONLY REFERENCE.

1	PBT	UL94V-0, BLACK	2	BRASS	TIN PLATING 1μm MIN, OVER NICKEL 0.5μm MIN
NO.	MATERIAL	FINISH,REMARKS	NO.	MATERIAL	FINISH,REMARKS
CODE NO. (OLD)			DRAWN	DESIGNED	CHECKED
			CHOI 18.03.02 J.S	CHOI 18.03.02 J.S	LIM 18.03.02 S.M
			APPROVED		RELEASED
			KANG 18.03.02 T.S		
DRAWING NO. EDC3-632473			PART NO. DF51K-4P-2DS (800)		
SCALE 4:1			CODE NO CL 6652-0061-3-800		
UNITS mm			HRS HIROSE KOREA CO.,LTD.		
					1/1