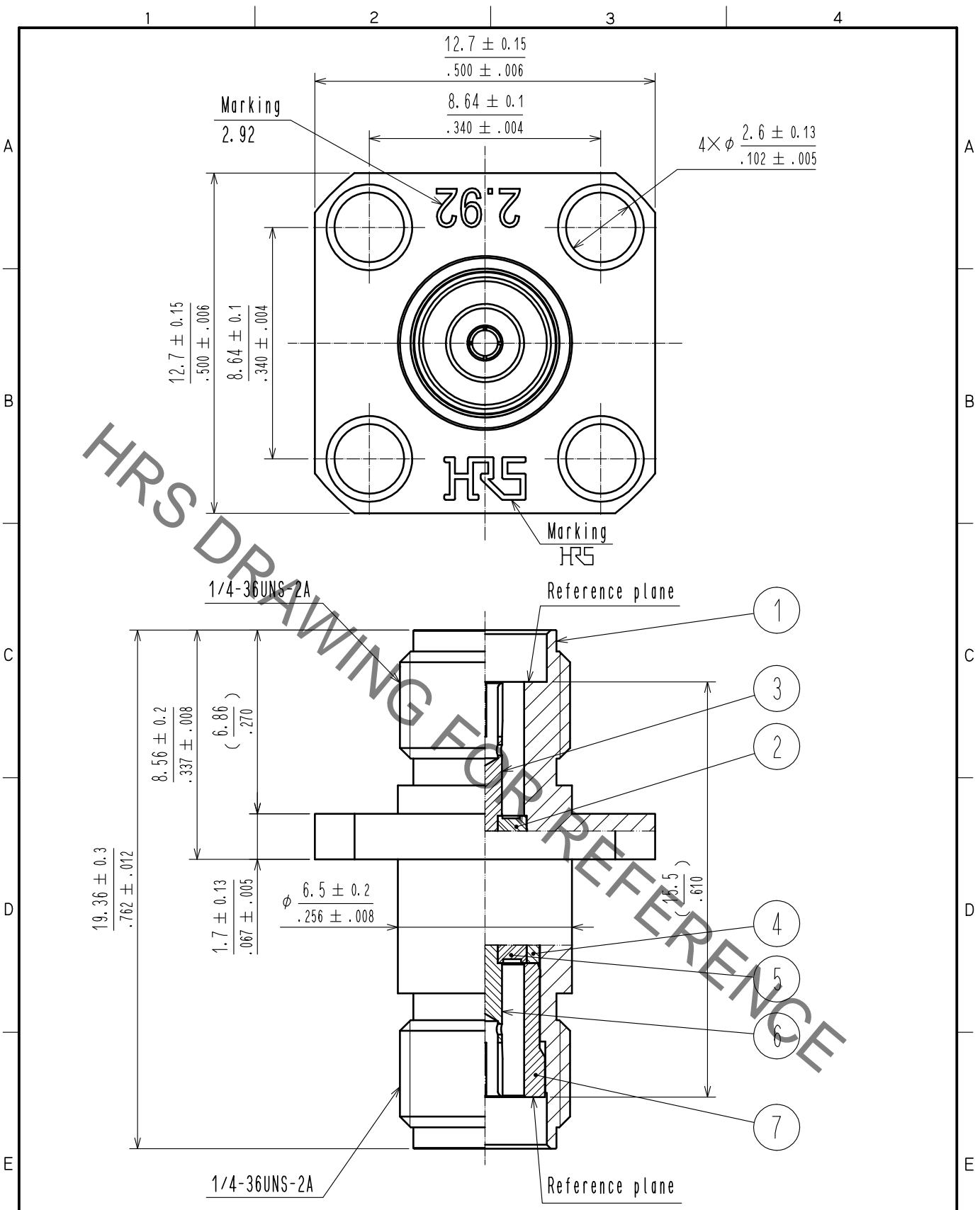


Sep.1.2019 Copyright 2019 HIROSE ELECTRIC CO., LTD. All Rights Reserved.
In case of consideration for using Automotive equipment / device which demand high reliability, kindly contact our sales window correspondents.



3	Beryllium copper	Gold Plating	7	Stainless steel	Gold Plating
2	PTFE		6	Beryllium copper	Gold Plating
1	Stainless steel	Passivate	5	PPO	(Black)
			4	Stainless steel	Gold Plating
NO.	MATERIAL	FINISH . REMARKS	NO.	MATERIAL	FINISH . REMARKS

UNITS mm		SCALE 5 : 1	COUNT 	DESCRIPTION OF REVISIONS	DESIGNED	CHECKED	DATE
HRS HIROSE ELECTRIC CO., LTD.		APPROVED : TO. KATAYAMA 18.05.10	DRAWING NO. EDC-382712-00-00				
		CHECKED : KY. SHIMIZU 18.05.10	PART NO. HK-PA-JJ				
		DESIGNED : TK. SAWAGUCHI 18.05.10	CODE NO. CL338-0112-0-00				
		DRAWN : TK. SAWAGUCHI 18.05.10		1/1			