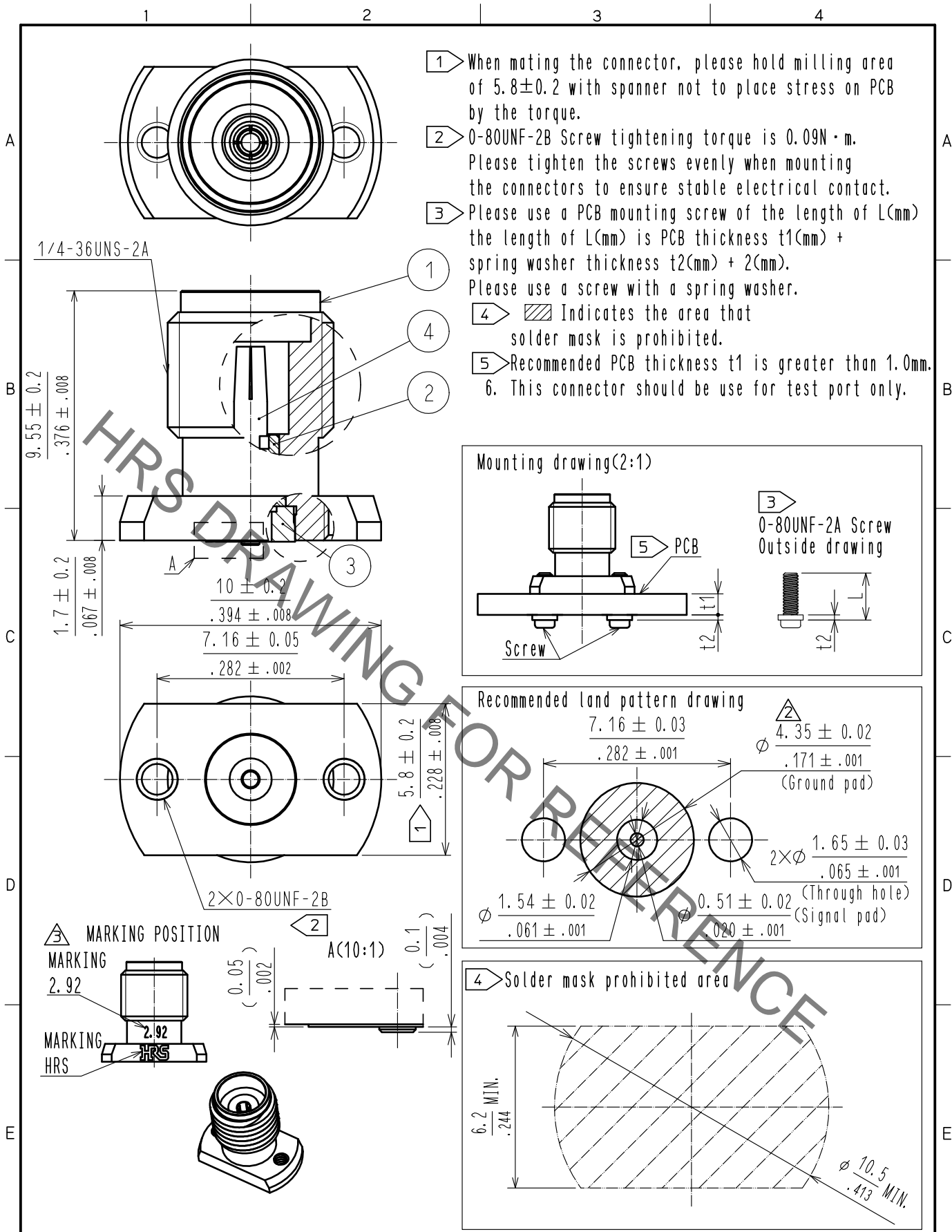


Sep. 1. 2019 Copyright 2019 HIROSE ELECTRIC CO., LTD. All Rights Reserved.
 In case of consideration for using Automotive equipment / device which demand high reliability, kindly contact our sales window correspondents.



2	PTFE		4	BERYLLIUM COPPER	GOLD PLATING			
1	STAINLESS STEEL	PASSIVATE	3	STAINLESS STEEL	GOLD PLATING			
NO.	MATERIAL	FINISH	REMARKS	NO.	MATERIAL	FINISH	REMARKS	
UNITS [mm/in]		SCALE 5 : 1	COUNT 3	DESCRIPTION OF REVISIONS DIS-D-00003015		DESIGNED AH. MARUYAMA	CHECKED TS. NOBE	DATE 18. 03. 24
HRS HIROSE ELECTRIC CO., LTD.	APPROVED	: KY. SHIMIZU		16. 08. 30		DRAWING NO. EDC-366760-00-01		
	CHECKED	: TO. KATAYAMA		16. 08. 30		PART NO. HK-R-SR2-1		
	DESIGNED	: TP. MATSUMOTO		16. 08. 29		CODE NO. CL338-0003-0-00		
	DRAWN	: TP. MATSUMOTO		16. 08. 29		1 1		