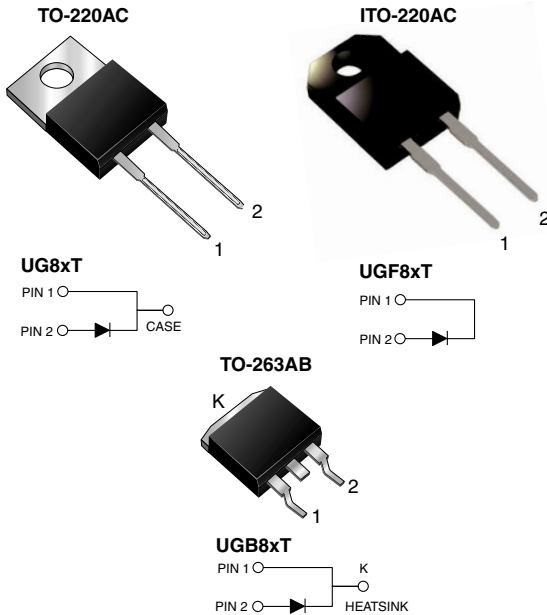


## Ultrafast Rectifier



### FEATURES

- Glass passivated chip junction
- Ultrafast recovery time
- Low switching losses, high efficiency
- High forward surge capability
- Meets MSL level 1, per J-STD-020C, LF max peak of 245 °C (for TO-263AB package)
- Solder Dip 260 °C, 40 seconds (for TO-220AC & ITO-220AC package)
- Component in accordance to RoHS 2002/95/EC and WEEE 2002/96/EC



### TYPICAL APPLICATIONS

For use in high frequency rectifier of switching mode power supplies, inverters, freewheeling diodes, dc-to-dc converters, and other power switching application.

### MECHANICAL DATA

**Case:** TO-220AC, ITO-220AC, TO-263AB

Epoxy meets UL 94V-0 flammability rating

**Terminals:** Matte tin plated leads, solderable per J-STD-002B and JESD22-B102D

E3 suffix for commercial grade, HE3 suffix for high reliability grade (AEC Q101 qualified)

**Polarity:** As marked

**Mounting Torque:** 10 in-lbs maximum

### MAJOR RATINGS AND CHARACTERISTICS

$I_{F(AV)}$	8.0 A
$V_{RRM}$	50 V to 200 V
$I_{FSM}$	150 A
$t_{rr}$	20 ns
$V_F$	0.95 V
$T_j \text{ max.}$	150 °C

### MAXIMUM RATINGS ( $T_C = 25 \text{ }^\circ\text{C}$ unless otherwise noted)

PARAMETER	SYMBOL	UG8AT	UG8BT	UG8CT	UG8DT	UNIT
Maximum repetitive peak reverse voltage	$V_{RRM}$	50	100	150	200	V
Maximum RMS voltage	$V_{RMS}$	35	70	105	140	V
Maximum DC blocking voltage	$V_{DC}$	50	100	150	200	V
Maximum average forward rectified current at $T_C = 100 \text{ }^\circ\text{C}$	$I_{F(AV)}$	8.0				A
Peak forward surge current 8.3 ms single half sine-wave superimposed on rated load	$I_{FSM}$	150				A
Operating junction and storage temperature range	$T_J, T_{STG}$	- 55 to + 150				°C
Isolation voltage (ITO-220AC only) From terminals to heatsink $t = 1$ minute	$V_{AC}$	1500				V

<b>ELECTRICAL CHARACTERISTICS</b> ( $T_C = 25\text{ }^\circ\text{C}$ unless otherwise noted)							
PARAMETER	TEST CONDITIONS	SYMBOL	UG8AT	UG8BT	UG8CT	UG8DT	UNIT
Maximum instantaneous forward voltage <sup>(1)</sup>	at 8.0 A 20.0 A 5.0 A $T_j = 150\text{ }^\circ\text{C}$	$V_F$			1.0 1.2 0.95		V
Maximum DC reverse current at rated DC blocking voltage	$T_j = 25\text{ }^\circ\text{C}$ $T_j = 100\text{ }^\circ\text{C}$	$I_R$			10 300		$\mu\text{A}$
Maximum reverse recovery time	at $I_F = 0.5\text{ A}$ , $I_R = 1.0\text{ A}$ , $I_{rr} = 0.25\text{ A}$	$t_{rr}$			20		ns
Maximum reverse recovery time	at $I_F = 8.0\text{ A}$ , $V_R = 30\text{ V}$ , $di/dt = 50\text{ A}/\mu\text{s}$ , $I_{rr} = 10\% I_{RM}$ $T_j = 25\text{ }^\circ\text{C}$ $T_j = 100\text{ }^\circ\text{C}$	$t_{rr}$			30 50		ns
Maximum recovered stored charged	at $I_F = 8.0\text{ A}$ , $V_R = 30\text{ V}$ , $di/dt = 50\text{ A}/\mu\text{s}$ $T_j = 25\text{ }^\circ\text{C}$ $T_j = 100\text{ }^\circ\text{C}$	$Q_{rr}$			20 45		nC
Typical junction capacitance	at 4.0 V, 1 MHz	$C_J$			45		pF

<b>THERMAL CHARACTERISTICS</b> ( $T_C = 25\text{ }^\circ\text{C}$ unless otherwise noted)					
PARAMETER	SYMBOL	UG8AT	UGF8AT	UGB8AT	UNIT
Typical thermal resistance from junction to case	$R_{\theta JC}$	4.0	5.0	4.0	$^\circ\text{C}/\text{W}$

**Note:**

(1) Pulse test: 300  $\mu\text{s}$  pulse width, 1 % duty cycle

<b>ORDERING INFORMATION</b>					
PACKAGE	PREFERRED P/N	UNIT WEIGHT (g)	PACKAGE CODE	BASE QUANTITY	DELIVERY MODE
TO-220AC	UG8DT-E3/45	1.80	45	50/Tube	Tube
ITO-220AC	UGF8DT-E3/45	1.95	45	50/Tube	Tube
TO-263AB	UGB8DT-E3/45	1.33	45	50/Tube	Tube
TO-263AB	UGB8DT-E3/81	1.33	81	800/Reel	Tape Reel

## RATINGS AND CHARACTERISTICS CURVES

( $T_A = 25\text{ }^\circ\text{C}$  unless otherwise noted)

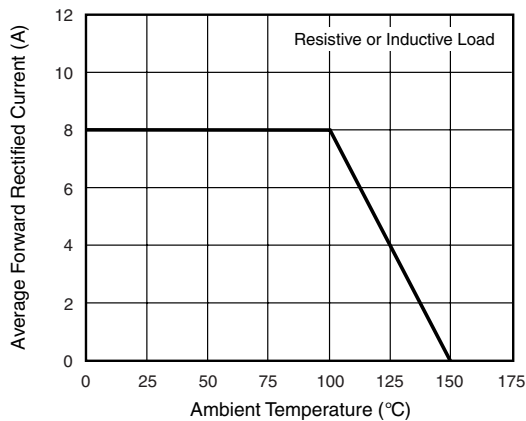


Figure 1. Maximum Forward Current Derating Curve

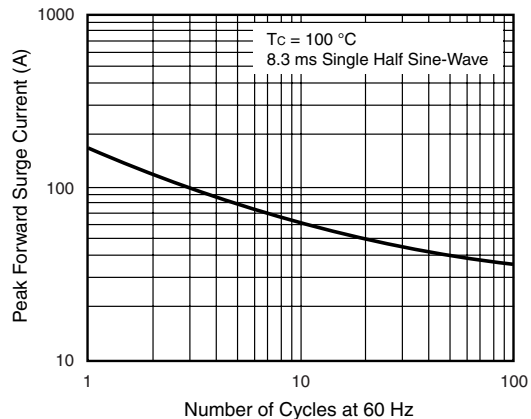


Figure 2. Maximum Non-Repetitive Peak Forward Surge Current

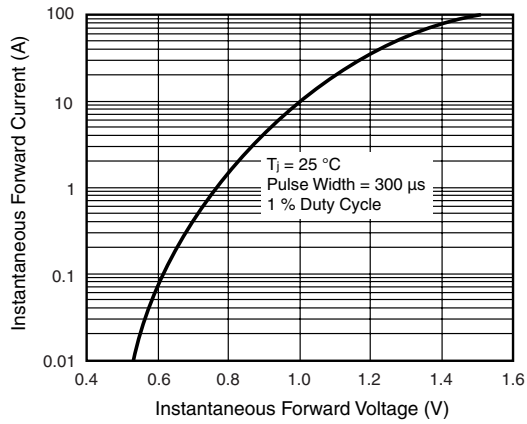


Figure 3. Typical Instantaneous Forward Characteristics

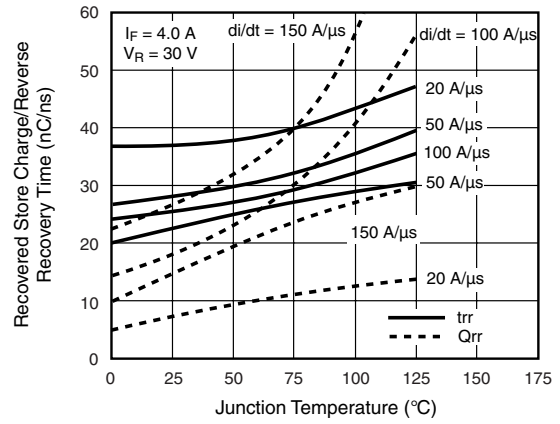


Figure 5. Reverse Switching Characteristics

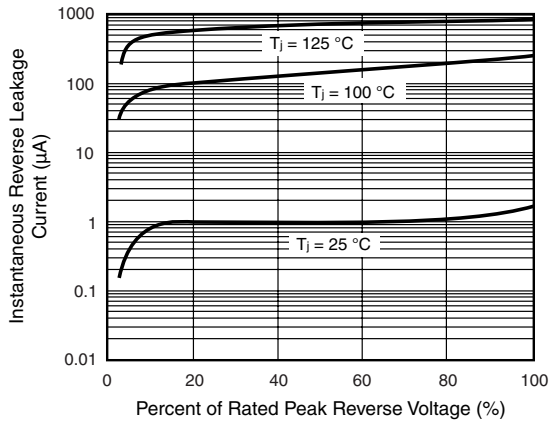


Figure 4. Typical Reverse Characteristics

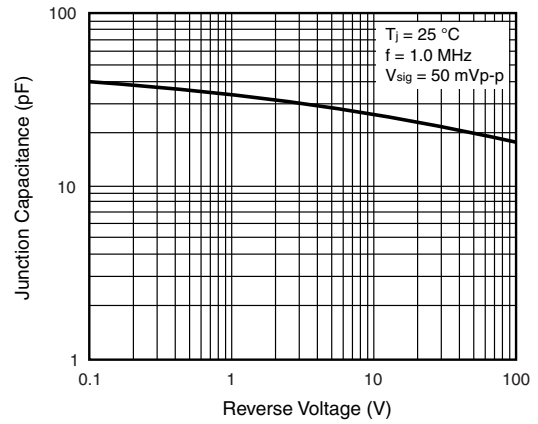


Figure 6. Typical Junction Capacitance

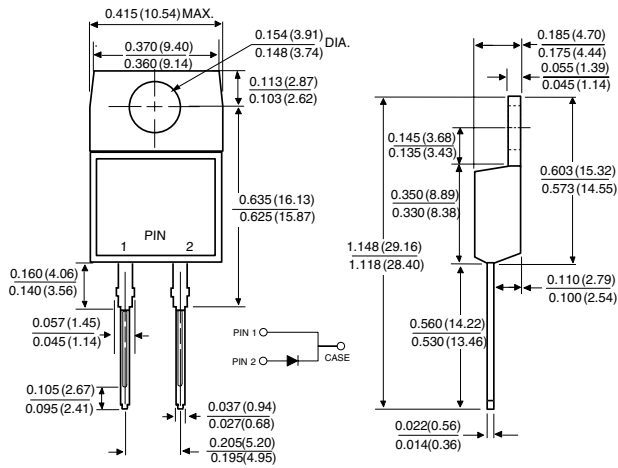
# UG(F,B)8AT thru UG(F,B)8DT

Vishay General Semiconductor

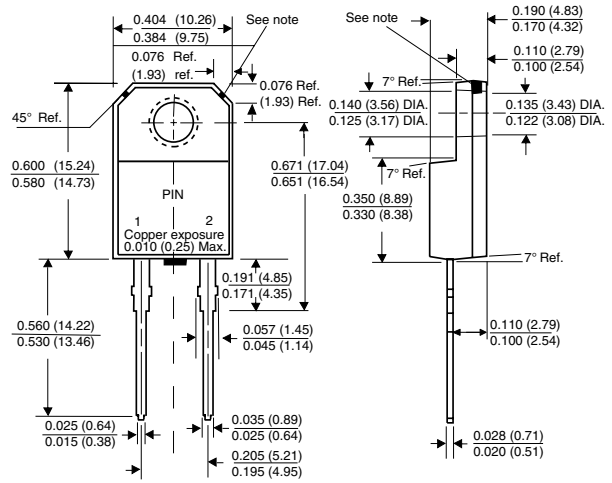


## PACKAGE OUTLINE DIMENSIONS in inches (millimeters)

TO-220AC

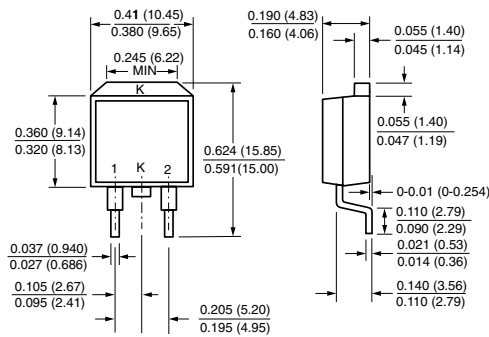


ITO-220AC

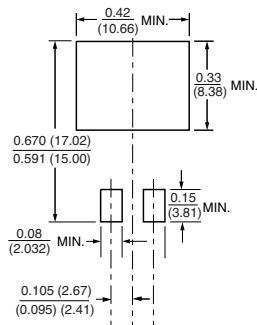


Note: Copper exposure is allowable for 0.005 (0.13) Max. from the body

TO-263AB



Mounting Pad Layout





## Notice

Specifications of the products displayed herein are subject to change without notice. Vishay Intertechnology, Inc., or anyone on its behalf, assumes no responsibility or liability for any errors or inaccuracies.

Information contained herein is intended to provide a product description only. No license, express or implied, by estoppel or otherwise, to any intellectual property rights is granted by this document. Except as provided in Vishay's terms and conditions of sale for such products, Vishay assumes no liability whatsoever, and disclaims any express or implied warranty, relating to sale and/or use of Vishay products including liability or warranties relating to fitness for a particular purpose, merchantability, or infringement of any patent, copyright, or other intellectual property right.

The products shown herein are not designed for use in medical, life-saving, or life-sustaining applications. Customers using or selling these products for use in such applications do so at their own risk and agree to fully indemnify Vishay for any damages resulting from such improper use or sale.