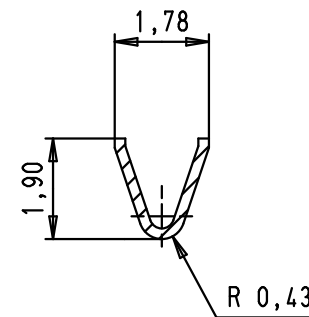
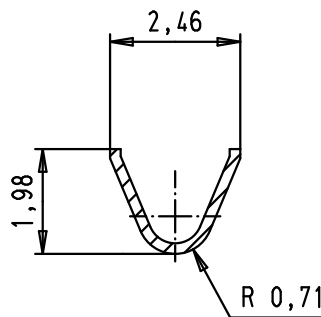


Section A-A

Section B-B



Base material: brass
 Plating: sliding contact selective gold plated over nickel
 nickel plated crimp area
 Number of contacts per bag: 500

09 67 000 8178	PL2
09 67 000 8177	PL3
09 67 000 8176	PL1
Part number	Performance level

				Dot.	Name	 All Dim. in mm Orig. Size DIN A 4
			Detail.	24/03/03	PP	
			Insp.			
			Stand.			
33937	05/03/07	PK				
32716	18/02/05	AL	HARTING EURL			
31475	24/03/03	PP	F-95972 Paris			
Mod.	Dot.	Name				

	D-Sub, stamped male AWG 20-24 crimp contact, bag packaging	Maßstab/ Scale
		7:1
	TB 09 67 000 817X	Blatt/ Page
	Sub.	1 / 1