

PRODUCT NUMBER
5 4 2 0 2 - X X X X X - X X X L F

PLATING: S=15µm [0.39µm] ON CONTACT AREA
100µm [2.5µm] TIN ON TAIL (NOTE 13)
G=30µm [0.76µm] ON CONTACT AREA
100µm [2.5µm] TIN ON TAIL (NOTE 13)
T=100µm [2.5µm] TIN ON CONTACT AREA AND ON TAIL (SEE NOTE 11)
F=2µm [0.05µm] GOLD ON CONTACT AREA AND ON TAIL

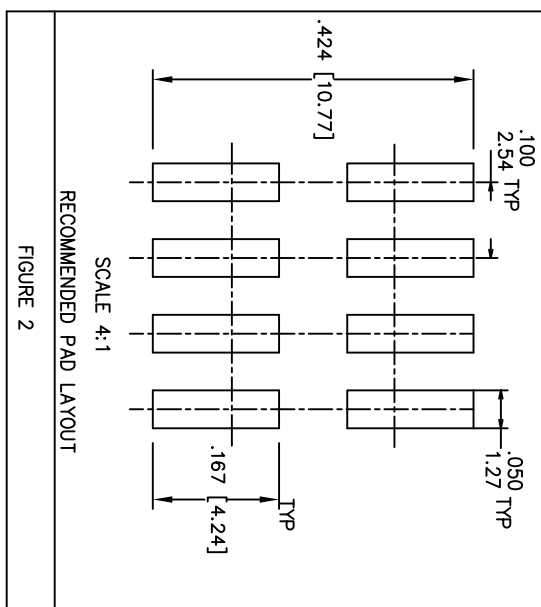
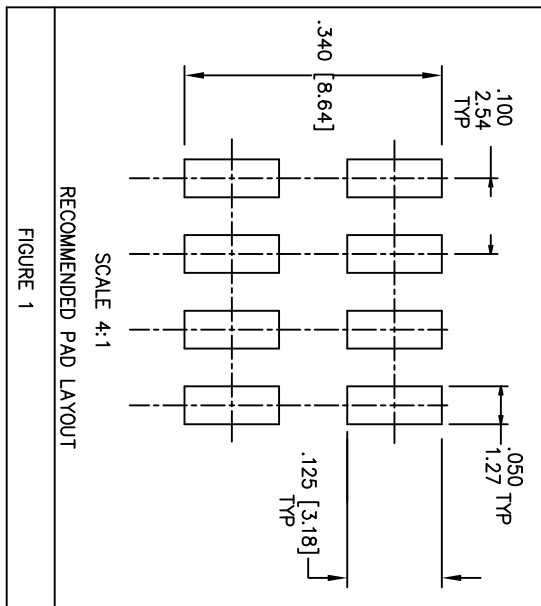
LEAD FREE OPTION NOTE 9 & 10
POLARIZATION NOTE 6
PACKAGING TYPE, NOTE 5
POSITIONS PER ROW 02 TO 20

LEAD STYLE	POST	TAIL OVERALL WIDTH	PCB LAYOUT
06	0.177/4.50	290 ^{+0.015} / _{-0.017} / 7.37 ^{+0.38} / _{-0.43}	FIGURE 1
08	0.230/5.84 0.318/8.08	290 ^{+0.015} / _{-0.017} / 7.37 ^{+0.38} / _{-0.43}	FIGURE 1
60	0.575/14.60	374 ^{+0.015} / _{-0.017} / 9.50 ^{+0.38} / _{-0.43}	FIGURE 2

NOTES:

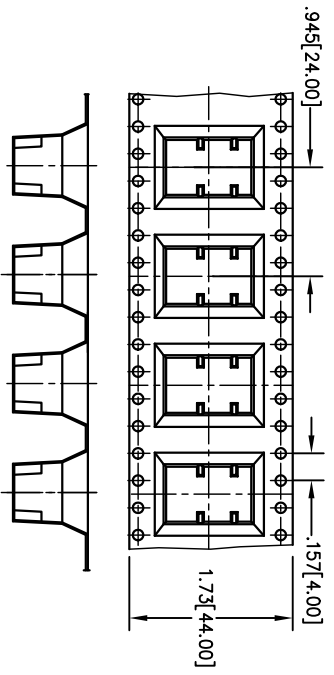
- ① HOUSING MAT'L: HIGH TEMPERATURE THERMOPLASTIC. FLAME RETARDANT PER UL 94V-0. COLOR: BLACK
OR MINERAL FILLED LCP FLAME RETARDANT PER UL-94V-0. COLOR: BLACK.
- ② PIN MATERIAL: PHOSPHOR-BRONZE
- ③ TO DETERMINE DIMENSIONS: N = NUMBER OF POSITIONS; ROW. EXAMPLE: 10 POS., N x .100/2.54=1.00/25.4
- ④ 2LBS/0.9KG MIN. PIN RETENTION IN EITHER DIRECTION.
- ⑤ PACKAGING: NONE =POLY BAGS WITHOUT PICKUP CAP. T =TUBES (OMIT DASH IF NOT POLARIZED). P =TUBES WITH PICKUP CAPS. A =TAPE AND REEL WITH PICKUP CAPS. C =CUSTOMIZED TAPE AND REEL WITH PICKUP CAPS. D =TAPE AND REEL WITHOUT PICKUP CAPS. S =SPECIAL REQUEST OF TAPE AND REEL WITH PICKUP CAPS. M =TAPE AND REEL WITH PICKUP CAPS FOR SPECIAL CUSTOMER.

- ⑥ FOR POLARIZATION, SPECIFY POSITION NUMBER (i.e. A03=ROW A POS. 3) TO OMIT PIN. OMIT FROM PRODUCT NUMBER IF THIS FEATURE IS NOT APPLICABLE. PRODUCT MANAGEMENT APPROVAL REQUIRED PRIOR TO RELEASE OR SALE OF POLARIZED PRODUCTS.
- ⑦ UNDERPLATING: 50µm [1.2µm] Ni.
- ⑧ PIN TIPS ON Sn PLATED PRODUCT MAY HAVE BARE METAL ON TWO SIDES, BOTH ENDS.
- ⑨ PART NUMBERS WITH "LF" SUFFIX AT THE END ARE LEAD FREE.
- ⑩ THESE PRODUCTS MEETS EUROPEAN UNION DIRECTIVES AND OTHER COUNTRY REGULATION AS DESCRIBED IN GS-22-008.
- ⑪ "THIS PRODUCT HAS 100% PURE TIN PLATING IN THE INTERFACE AND HAS NOT BEEN TESTED FOR WHISKER GROWTH IN ALL INTERCONNECT ENVIRONMENTS."
- ⑫ THE HOUSING WILL WITHSTAND EXPOSURE TO 260°C PEAK TEMPERATURE FOR 20 SECONDS IN A CONNECTION, INFRA-RED OR VAPOR PHASE REFLOW OVEN. SEE APPLICATION NOTES/PROCEDURES IF THEY ARE AVAILABLE.
- ⑬ MAY BE EITHER GOLD OR GXT PLATED AT MANUFACTURER'S OPTION

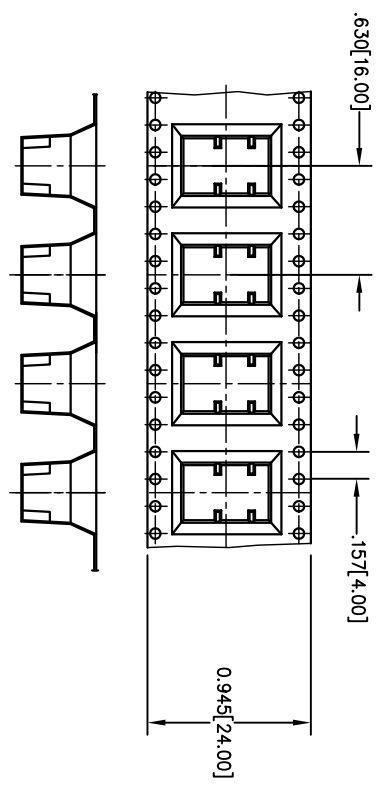


mat'l. code	ISO 1302	tolerances	projection	product family
AA ELX-N-21233	MZ	2015-06-25	XXXX005/XXXX013	BERGSTIK
AB ELX-N-22954	MZ	2015-12-22	XXXX005/XXXX013	BERGSTIK
AC ELX-N-35743	MZ	2020-01-03	XXXX020/XXXX035	BERGSTIK

sheet	revision	AC	AC	AC	AC	AC	AC	AC	AC
1									
2									
3									
4									
5									
6									



54202-****SLF
SPECIAL REQUEST CARRIER TAPE
FOR 2x5 SIZE(SEE NOTES 5)



54202-****MLF
TAPPE AND REEL WITH PICK UP
CAP FOR SPECIAL CUSTOMER
FOR 2x5 SIZE(SEE NOTES 5)

mat'l. code		surface		ISO 1302		ISO 1101		projection		product family	
NOTES 2 & 3		ISO 4106		ISO 1101		ISO 1101		INCH/MM		BERGSTIK	
tr	ecn no	dr	date	tolerances unless otherwise specified		xxx400/xxx40.3		SCale 1:1		title	
AC				angles		xxx400/xxx40.3				.100 UNSHROUDED HDR DUAL ROW VERT. SMT.	
				inches		xxx400/xxx40.3				dwg no	
				in		xxx400/xxx40.3				sheet 4 of 4	
				0.2		xxx400/xxx40.3				size	
				D/INGRAM		1999-05-17				A3	
				engr		H.SUNDAY				type	
				chr		H.SUNDAY				Product Customer	
				pppd		H.SUNDAY				Drawing	
				1999-07-21		1999-07-21					
sheet	revision										
index	sheet										