

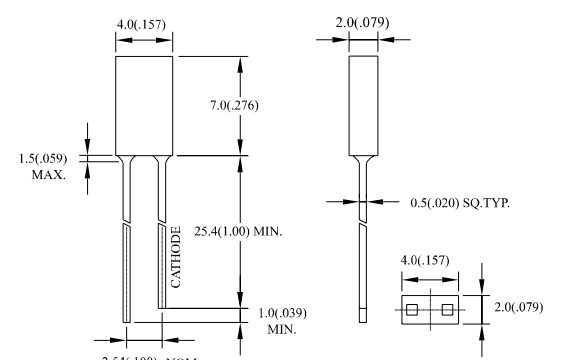
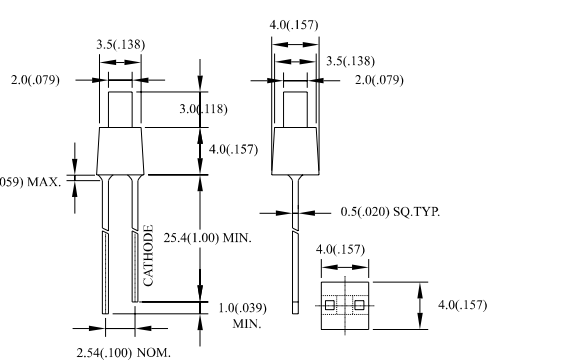
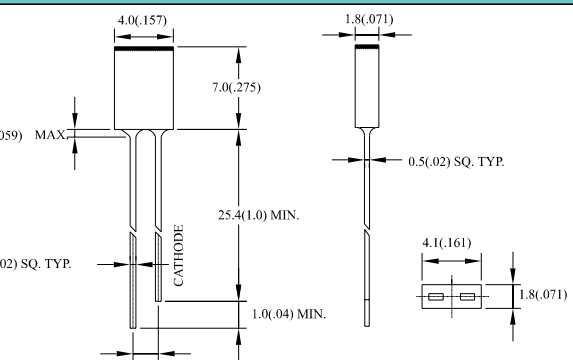
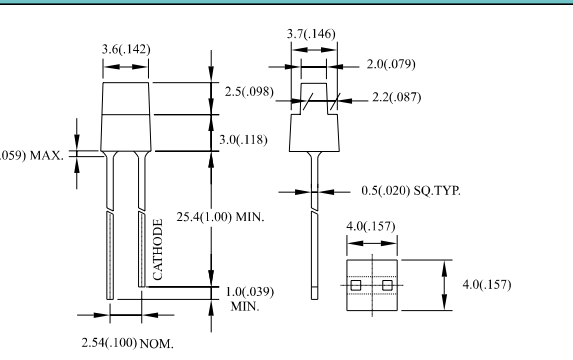
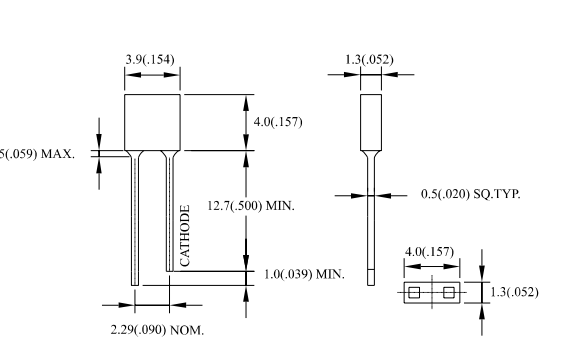
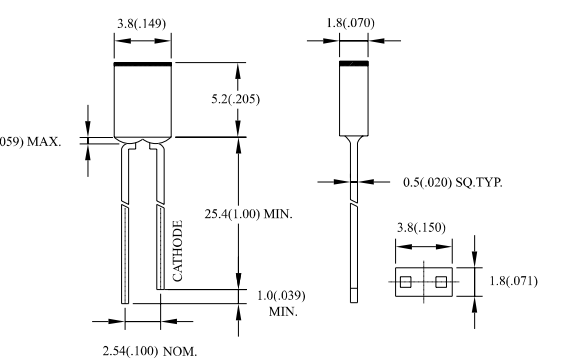
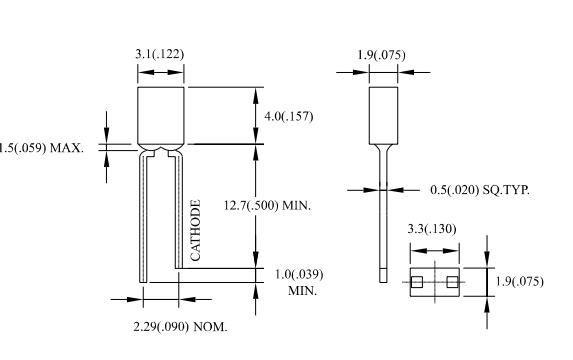
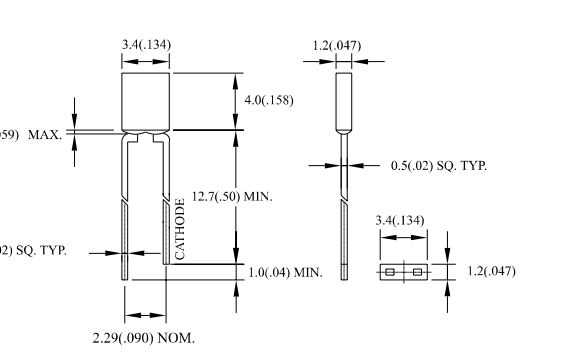


STANDARD LED LAMPS(RECTANGULAR TYPES)

Package	Part No.	Chip		Lens Appearance	Absolute Maximum Ratings				Electro-optical Data(At 20mA)			Viewing Angle 2θ 1/2 (deg)	Drawing No.
		Material/ Emitted Color	Peak Wave Length λ P (nm)		Δ λ (nm)	Pd (mw)	If (mA)	Peak (mA)	Vf (V)		Iv (mcd)		
									Typ	Max	Typ.		
2.0x4.0x 7.0mm 1.0" Lead Rectangular Flangeless	BL-R1131	GaAsP/GaAs/ Red	655	Red Diffused	40	80	40	200	1.7	2.0	0.6	120	L-057
	BL-R5131	GaP/GaP/ Bright Red	700		90	40	15	50	2.2	2.6	1.0		
	BL-R4531	GaAsP/GaP/ Hi-Eff Red	635		45	80	30	150	2.0	2.6	7.0		
	BL-R2131	GaP/GaP/ Green	568	Green Diffused	30	80	30	150	2.2	2.6	7.0		
	BL-R3131	GaAsP/GaP/ Yellow	585	Yellow Diffused	35	80	30	150	2.1	2.6	6.0		
	BL-R4131	GaAsP/GaP/ Orange	635	Orange Diffused	45	80	30	150	2.0	2.6	7.0		
	BL-R9131	GaP/GaP / Pure Green	555	Green Diffused	25	80	30	150	2.2	2.6	1.0		
2.0x2.0x 7.0mm 1.0" Lead Rectangular	BL-R1131A	GaAsP/GaAs/ Red	655	Red Diffused	40	80	40	200	1.7	2.0	0.6	120	L-058
	BL-R5131A	GaP/GaP/ Bright Red	700		90	40	15	50	2.2	2.6	1.0		
	BL-R4531A	GaAsP/GaP/ Hi-Eff Red	635		45	80	30	150	2.0	2.6	7.0		
	BL-R2131A	GaP/GaP/ Green	568	Green Diffused	30	80	30	150	2.2	2.6	7.0		
	BL-R3131A	GaAsP/GaP/ Yellow	585	Yellow Diffused	35	80	30	150	2.1	2.6	6.0		
	BL-R4131A	GaAsP/GaP/ Orange	635	Orange Diffused	45	80	30	150	2.0	2.6	7.0		
	BL-R9131A	GaP/GaP / Pure Green	555	Green Diffused	25	80	30	150	2.2	2.6	1.0		
1.8x4.0x 7.0mm 1.0" Lead Rectangular	BL-R1131B-T	GaAsP/GaAs/ Red	655	Red Diffused	40	80	40	200	1.7	2.0	1.0	120	L-059
	BL-R5131B-T	GaP/GaP/ Bright Red	700		90	40	15	50	2.2	2.6	1.6		
	BL-R4531B-T	GaAsP/GaP/ Hi-Eff Red	635		45	80	30	150	2.0	2.6	9.0		
	BL-R2131B-T	GaP/GaP/ Green	568	Green Diffused	30	80	30	150	2.2	2.6	9.0		
	BL-R3131B-T	GaAsP/GaP/ Yellow	585	Yellow Diffused	35	80	30	150	2.1	2.6	8.0		
	BL-R4131B-T	GaAsP/GaP/ Orange	635	Orange Diffused	45	80	30	150	2.0	2.6	9.0		
	BL-R9131B-T	GaP/GaP / Pure Green	555	Green Diffused	25	80	30	150	2.2	2.6	1.5		
2.0x3.6x 5.5mm 1.0" Lead Rectangular	BL-R1131C	GaAsP/GaAs/ Red	655	Red Diffused	40	80	40	200	1.7	2.0	0.4	120	L-060
	BL-R5131C	GaP/GaP/ Bright Red	700		90	40	15	50	2.2	2.6	0.8		
	BL-R4531C	GaAsP/GaP/ Hi-Eff Red	635		45	80	30	150	2.0	2.6	4.0		
	BL-R2131C	GaP/GaP/ Green	568	Green Diffused	30	80	30	150	2.2	2.6	4.0		
	BL-R3131C	GaAsP/GaP/ Yellow	585	Yellow Diffused	35	80	30	150	2.1	2.6	3.5		
	BL-R4131C	GaAsP/GaP / Orange	635	Orange Diffused	25	80	30	150	2.0	2.6	4.0		
	BL-R9131C	GaP/GaP / Pure Green	555	Green Diffused	30	80	30	150	2.2	2.6	0.3		
1.3x4.0x 4.0mm 1.0" Lead Rectangular	BL-R1421D	GaAsP/GaAs/ Red	655	Red Trans	40	80	40	200	1.7	2.0	1.6	80	L-061
	BL-R5421D	GaP/GaP/ Bright Red	700		90	40	15	50	2.2	2.6	6.0		
	BL-R4621D	GaAsP/GaP/ Hi-Eff Red	635		45	80	30	150	2.0	2.6	12.0		
	BL-R2421D	GaP/GaP/ Green	568	Green Trans	30	80	30	150	2.2	2.6	12.0		
	BL-R3421D	GaAsP/GaP/ Yellow	585	Yellow Trans	35	80	30	150	2.1	2.6	10.0		
	BL-R4421D	GaAsP/GaP/ Orange	635	Orange Trans	25	80	30	150	2.0	2.6	12.0		
	BL-R9421D	GaP/GaP / Pure Green	555	Green Trans	30	80	30	150	2.2	2.6	1.0		
1.8x3.8x 5.2mm 1.0" Lead Rectangular	BL-R1131E-T	GaAsP/GaAs/ Red	655	Red Diffused	40	80	40	200	1.7	2.0	1.0	120	L-062
	BL-R5131E-T	GaP/GaP/ Bright Red	700		90	40	15	50	2.2	2.6	1.5		
	BL-R4531E-T	GaAsP/GaP/ Hi-Eff Red	635		45	80	30	150	2.0	2.6	10.0		
	BL-R2131E-T	GaP/GaP/ Green	568	Green Diffused	30	80	30	150	2.2	2.6	10.0		
	BL-R3131E-T	GaAsP/GaP/ Yellow	585	Yellow Diffused	35	80	30	150	2.1	2.6	9.0		
	BL-R4131E-T	GaAsP/GaP/ Orange	635	Orange Diffused	45	80	30	150	2.0	2.6	10.0		
	BL-R9131E-T	GaP/GaP / Pure Green	555	Green Diffused	25	80	30	150	2.2	2.6	0.6		
1.9x3.1x 4.0mm 1.0" Lead Rectangular	BL-R1121F	GaAsP/GaAs/ Red	655	Red Diffused	40	80	40	200	1.7	2.0	0.4	120	L-063
	BL-R5121F	GaP/GaP/ Bright Red	700		90	40	15	50	2.2	2.6	0.6		
	BL-R4521F	GaAsP/GaP/ Hi-Eff Red	635		45	80	30	150	2.0	2.6	3.0		
	BL-R2121F	GaP/GaP/ Green	568	Green Diffused	30	80	30	150	2.2	2.6	3.0		
	BL-R3121F	GaAsP/GaP/ Yellow	585	Yellow Diffused	35	80	30	150	2.1	2.6	2.5		
	BL-R4121F	GaAsP/GaP/ Orange	635	Orange Diffused	25	80	30	150	2.0	2.6	3.0		
1.2x3.4x 4.0mm 1.0" Lead Rectangular	BL-R1421G	GaAsP/GaAs/ Red	655	Red Trans	40	80	40	200	1.7	2.0	0.5	60	L-064
	BL-R5421G	GaP/GaP/ Bright Red	700		90	40	15	50	2.2	2.6	0.6		
	BL-R4621G	GaAsP/GaP/ Hi-Eff Red	635		45	80	30	150	2.0	2.6	3.5		
	BL-R2421G	GaP/GaP/ Green	568	Green Trans	30	80	30	150	2.2	2.6	3.5		
	BL-R3421G	GaAsP/GaP/ Yellow	585	Yellow Trans	35	80	30	150	2.1	2.6	3.0		

Remark : 1.Hi-Eff Red / High-Efficiency Red.
 2.Trans / Transparent.
 3.2 θ 1/2 The off-axis angle at which the luminous intensity is half the axial luminous intensity.

STANDARD LED LAMPS(RECTANGULAR TYPES)

<p>L-057 BL-Rxx31 Series</p> 	<p>L-058 BL-Rxx31A Series</p> 
<p>L-059 BL-Rxx31B-T Series</p> 	<p>L-060 BL-Rxx31C Series</p> 
<p>L-061 BL-Rxx21D Series</p> 	<p>L-062 BL-Rxx31E-T Series</p> 
<p>L-063 BL-Rxx21F Series</p> 	<p>L-064 BL-Rxx21G Series</p> 

Notes : 1.All Dimensions are in millimeters (inches).
2.Tolerance is $\pm 0.25\text{mm}$ (.010").