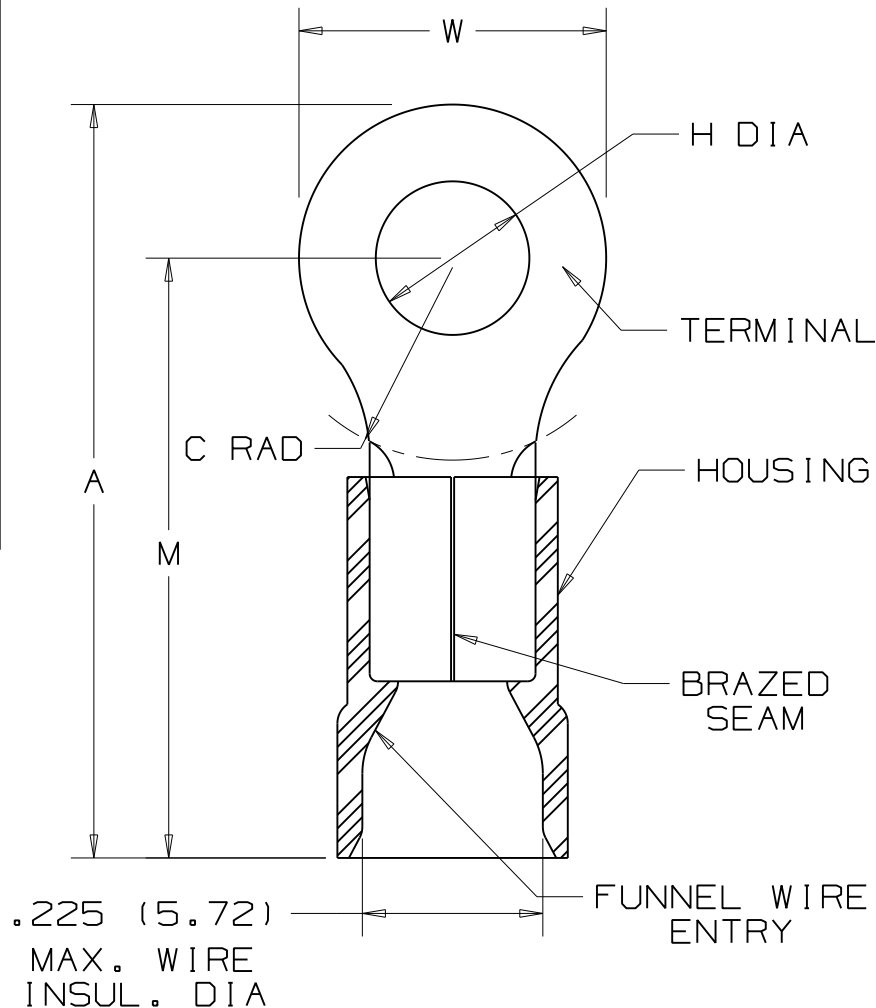


PANDUIT PART NUMBER		STUD SIZE	DIMENSIONS in.				
			A ±.03	W ±.01	C ±.02	M ±.03	H ±.01
PV10-6R	-L -D	#6	1.05 (26.7)	.31 (7.9)	.31 (7.9)	.89 (22.6)	.15 (3.8)
PV10-8R	-L -D	#8	1.05 (26.7)	.31 (7.9)	.31 (7.9)	.89 (22.6)	.17 (4.3)
PV10-10R	-L -D	#10	1.05 (26.7)	.31 (7.9)	.31 (7.9)	.89 (22.6)	.20 (5.1)
PV10-14R	-L -D	1/4"	1.23 (31.2)	.52 (13.2)	.38 (9.7)	.97 (24.6)	.27 (6.9)
PV10-56R	-L -D	5/16"	1.23 (31.2)	.52 (13.2)	.38 (9.7)	.97 (24.6)	.33 (8.4)
PV10-38R	-L -D	3/8"	1.31 (33.3)	.58 (14.7)	.41 (10.4)	1.02 (25.9)	.39 (9.9)
PV10-12R	-L -Q	1/2"	1.46 (37.1)	.72 (18.3)	.53 (13.5)	1.10 (27.9)	.52 (13.2)

NOTES:

- UL LISTED AND CSA CERTIFIED FOR:
  - 600V. MAX. BLDG WIRE  
(1000 V. MAX IN SIGNS, FIXTURES & LUMINAIRES),  
AND 14-10 AWG SOLID OR STRANDED  
COPPER WIRE, & 221°F (105°C MAX) TEMP RATING  
WITH THE CT-550 INSTALLATION TOOL #12 STR OR SOL  
& #10 STR W/ CT-1550, CT-1551 INSTALLATION TOOLS.
  - 300 V. MAX BLDG WIRE,  
12-10 AWG SOLID OR STRANDED  
COPPER WIRE, & 167°F (75°C) MAX TEMP RATING  
WITH THE CT-100 INSTALLATION TOOLS.
- MATERIAL:
  - STAMPING - .04" (1.0) THK COPPER, TIN PLATED
  - HOUSING - VINYL, YELLOW
- STRIP LENGTH - 5/16 <sup>+1/32</sup> 0
- PACKAGE QTY:
  - STD PKG. -Q=25
  - STD PKG. -L=50
  - BULK PKG. -D=500
- DIMENSIONS IN BRACKETS ARE IN MILLIMETERS



CERTIFIED  
LR31212



LISTED  
587H  
E52164

06	8/09	SRB		Added -Q- packaging code to PV10-12R				<p>TINLEY PARK, ILLINOIS</p> <p>2PC. VINYL INSULATED, #12-10 BARREL, RINGS</p>
05	2/02	SAC		FOR PV10-12R DIM A WAS 1.47 & DIM M WAS 1.11				
04	5/02	SRB	SKB	CHANGED (DIMS) TO 1 PL DECIMAL	10231	LA	TRO	
03	4/02	SRB	SKB	ADDED PV10-12R	10171	LA	TRO	
REV	DATE	BY	CHK	DESCRIPTION	ECN #	CUST	PM	DRAWN BY FES CHK'D SCALE NONE DRAWING NO. A41187