

# 4000N Series

# Tubeaxial

119x119x38mm



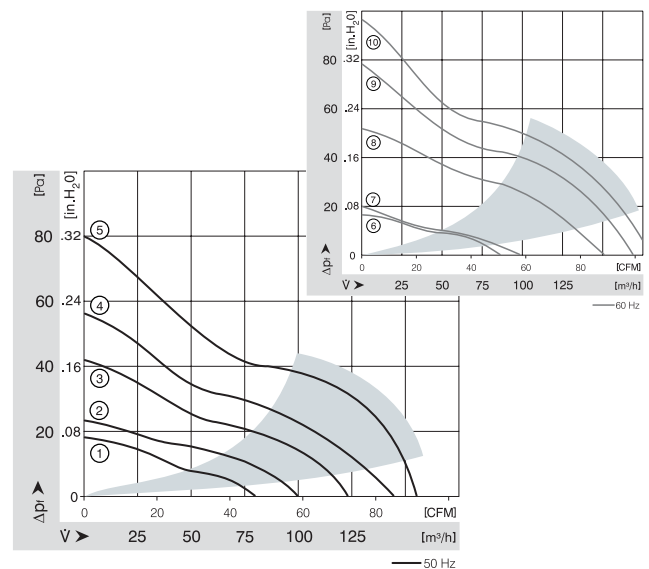
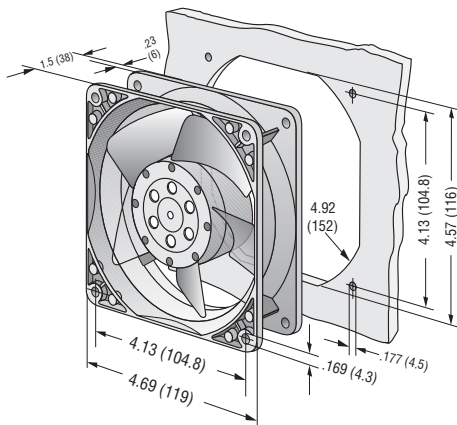
- AC fans with external rotor shaded-pole motor. Impedance protected against overloading.
- Metal fan housing and impeller.
- Air intake over struts. Rotational direction CW looking at rotor. Types 4890N and 4840N air exhaust over struts.
- Mounting from either face using four 4.3 mm holes.

- Electrical connection: Terminals with 2 flat pins 2.8 x 0.5 mm.
- Fan housing with ground lug for screw M4 and UNC.
- UL, CSA, VDE approvals on most models, please contact application engineering.

Part Number	Curve	CFM @ 0	VAC	Hertz	Power (W)	dBA	Max Amb. Temp. C	Bearing Type	Speed (RPM)	Features	Wgt. (lbs)
4624N	10	105.9	24	60	18.0	50	60	Sintec	3100	Terminals	1.21
4840N	6	50.0	115	60	10.0	26	75	Sintec	1650	Terminals	1.21
4800N	7	57.1	115	60	9.0	32	75	Sintec	1750	Terminals	1.21
4530N	8	88.9	115	60	16.0	45	65	Sintec	2700	Terminals	1.21
4500N	9	99.5	115	60	15.0	48	65	Sintec	3000	Terminals	1.21
4600N	10	105.9	115	60	18.0	50	60	Sintec	3100	Terminals	1.21
4606N	10	105.9	115	60	18.0	51	90	Ball	3100	Terminals	1.21
4890N	1	47.1	230	50/60	11.0	25	70	Sintec	1550	Terminals	1.21
4850N	2	58.9	230	50/60	10.0	32	70	Sintec	1800	Terminals	1.21
4580N	3	72.4	230	50/60	18.0	41	55	Sintec	2350	Terminals	1.21
4550N	4	85.3	230	50/60	16.5	44	55	Sintec	2550	Terminals	1.21
4650N	5	94.2	230	50/60	19.0	46	55	Sintec	2650	Terminals	1.21
4656N	5	94.2	230	50/60	19.0	47	85	Ball	2650	Terminals	1.21
4660N	10	105.9	115/230	50/60	18.0	51	60	Sintec	2650	Terminals	1.21

Available on request:

- Fan housing with mounting bosses.
- Electrical connection via 2 single leads.
- 3.7 mm mounting holes.



**ebmpapst**

e-mail: [sales@us.ebmpapst.com](mailto:sales@us.ebmpapst.com) · TEL: 860-674-1515 · FAX: 860-674-8536  
 ebm-papst Inc., 100 Hyde Road, Farmington, CT 06034 USA

ebm-papst Inc., 2006 © ebm-papst Inc. reserves the right to change any specifications or data without notice