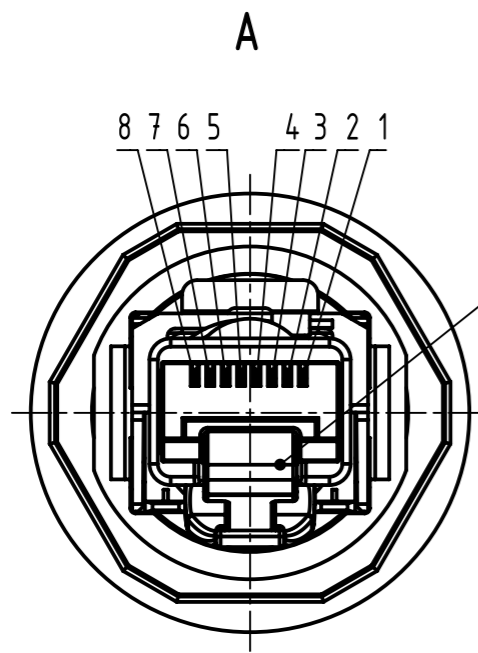
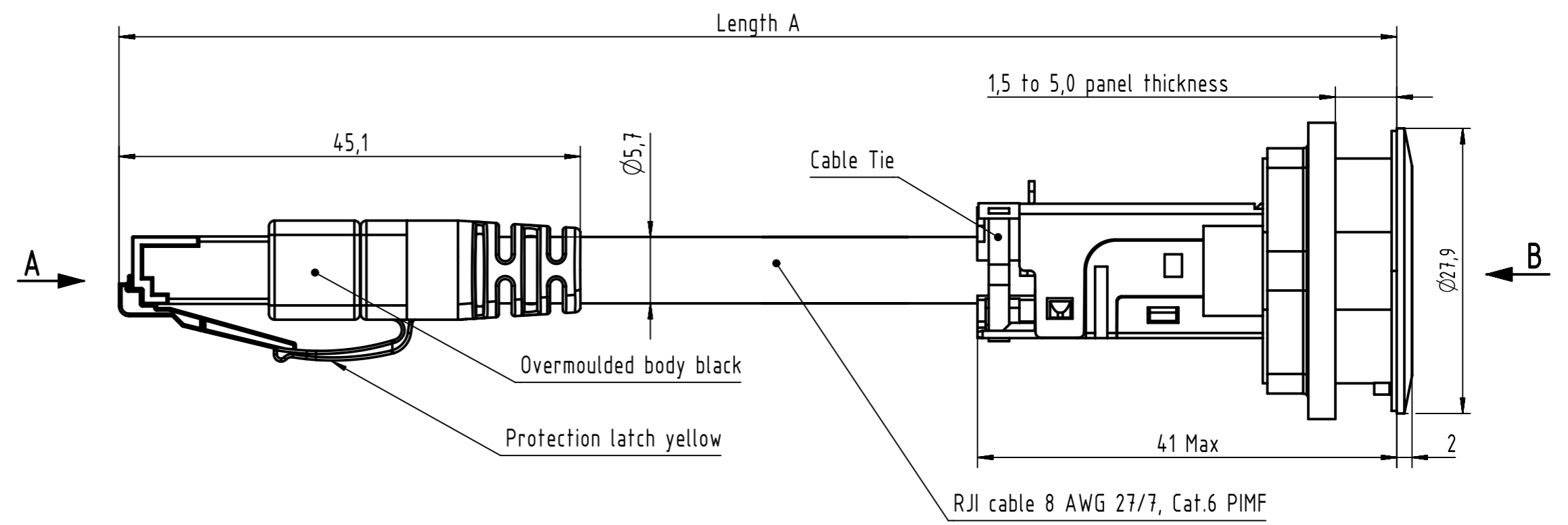
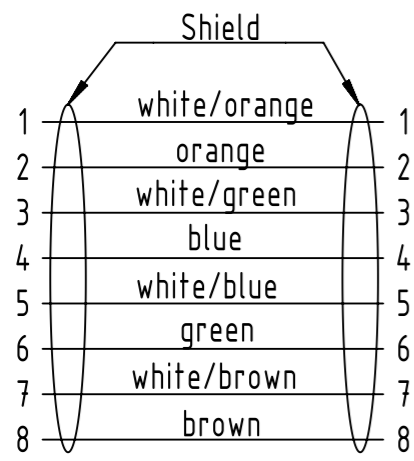
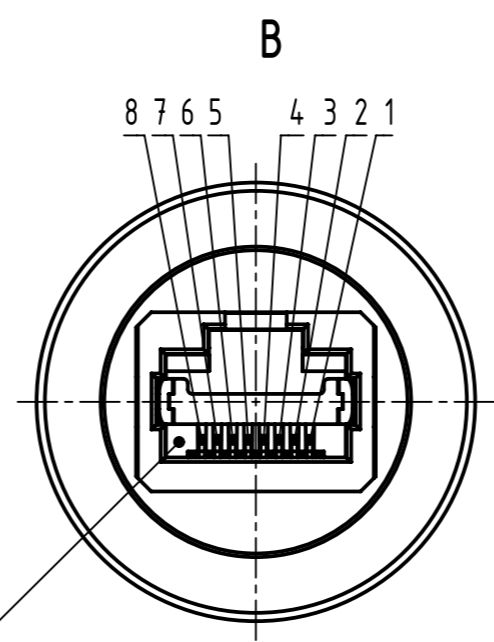


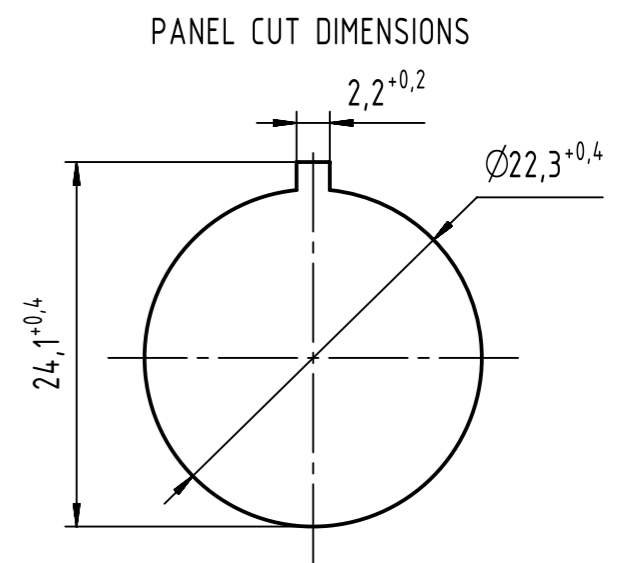
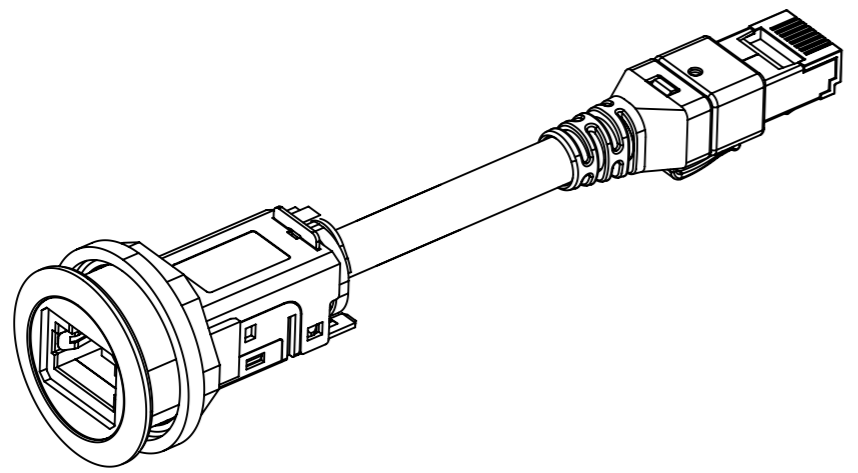
Loading-Plan
acc. to TIA/EIA 568B



Mating face RJ45 Plug
according to IEC 60603-7

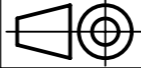


Mating face RJ45 Jack
according to IEC 60603-7



	All rights reserved		Created by		Inspected by		Standardisation		Date		State		
	Department EL PD		FARCASIU		PRIESTER		HOFFMANN		2018-10-12		Final Release		
HARTING Electronics GmbH		Title har-port RJ45 coupler Cat.6 AWG 27/7										Doc-Key / ECM-Nr.	
D-32339 Espelkamp		Type TB		Number 094545215XX				Rev. E		Page 1/2		100222229/UGD/002/E 50000014.1187	

Line No.	Part number	Type of cable	Length A (m)
1	09 45 452 1500	har-port RJ45 IP20 coupler Cat.6 PFT cable jack silver	0,15 (+/-0,03)
2	09 45 452 1501	har-port RJ45 IP20 coupler Cat.6 PFT cable jack silver	0,20 (+/-0,04)
3	09 45 452 1502	har-port RJ45 IP20 coupler Cat.6 PFT cable jack silver	0,30 (+/-0,06)
4	09 45 452 1503	har-port RJ45 IP20 coupler Cat.6 PFT cable jack silver	0,40 (+/-0,08)
5	09 45 452 1504	har-port RJ45 IP20 coupler Cat.6 PFT cable jack silver	0,50 (+/-0,10)
6	09 45 452 1505	har-port RJ45 IP20 coupler Cat.6 PFT cable jack silver	0,60 (+/-0,12)
7	09 45 452 1506	har-port RJ45 IP20 coupler Cat.6 PFT cable jack silver	0,70 (+/-0,14)
8	09 45 452 1507	har-port RJ45 IP20 coupler Cat.6 PFT cable jack silver	0,80 (+/-0,16)
9	09 45 452 1508	har-port RJ45 IP20 coupler Cat.6 PFT cable jack silver	0,90 (+/-0,18)
10	09 45 452 1509	har-port RJ45 IP20 coupler Cat.6 PFT cable jack silver	1,0 (+/-0,20)
11	09 45 452 1510	har-port RJ45 IP20 coupler Cat.6 PFT cable jack silver	1,5 (+/-0,075)
12	09 45 452 1511	har-port RJ45 IP20 coupler Cat.6 PFT cable jack silver	2,0 (+/-0,10)
13	09 45 452 1512	har-port RJ45 IP20 coupler Cat.6 PFT cable jack silver	2,5 (+/-0,125)
14	09 45 452 1513	har-port RJ45 IP20 coupler Cat.6 PFT cable jack silver	3,0 (+/-0,15)
15	09 45 452 1514	har-port RJ45 IP20 coupler Cat.6 PFT cable jack silver	3,5 (+/-0,175)
16	09 45 452 1515	har-port RJ45 IP20 coupler Cat.6 PFT cable jack silver	4,0 (+/-0,20)
17	09 45 452 1516	har-port RJ45 IP20 coupler Cat.6 PFT cable jack silver	5,0 (+/-0,25)
18	09 45 452 1517	har-port RJ45 IP20 coupler Cat.6 PFT cable jack silver	7,5 (+/-0,375)
19	09 45 452 1518	har-port RJ45 IP20 coupler Cat.6 PFT cable jack silver	10,0 (+/-0,50)
20	09 45 452 1519	har-port RJ45 IP20 coupler Cat.6 PFT cable jack silver	4,5 (+/-0,225)
21			
22	09 45 452 1530	har-port RJ45 IP20 coupler Cat.6 PFT cable jack black	0,15 (+/-0,03)
23	09 45 452 1531	har-port RJ45 IP20 coupler Cat.6 PFT cable jack black	0,20 (+/-0,04)
24	09 45 452 1532	har-port RJ45 IP20 coupler Cat.6 PFT cable jack black	0,30 (+/-0,06)
25	09 45 452 1533	har-port RJ45 IP20 coupler Cat.6 PFT cable jack black	0,40 (+/-0,08)
26	09 45 452 1534	har-port RJ45 IP20 coupler Cat.6 PFT cable jack black	0,50 (+/-0,10)
27	09 45 452 1535	har-port RJ45 IP20 coupler Cat.6 PFT cable jack black	0,60 (+/-0,12)
28	09 45 452 1536	har-port RJ45 IP20 coupler Cat.6 PFT cable jack black	0,70 (+/-0,14)
29	09 45 452 1537	har-port RJ45 IP20 coupler Cat.6 PFT cable jack black	0,80 (+/-0,16)
30	09 45 452 1538	har-port RJ45 IP20 coupler Cat.6 PFT cable jack black	0,90 (+/-0,18)
31	09 45 452 1539	har-port RJ45 IP20 coupler Cat.6 PFT cable jack black	1,0 (+/-0,20)
32	09 45 452 1540	har-port RJ45 IP20 coupler Cat.6 PFT cable jack black	1,5 (+/-0,075)
33	09 45 452 1541	har-port RJ45 IP20 coupler Cat.6 PFT cable jack black	2,0 (+/-0,10)
34	09 45 452 1542	har-port RJ45 IP20 coupler Cat.6 PFT cable jack black	2,5 (+/-0,125)
35	09 45 452 1543	har-port RJ45 IP20 coupler Cat.6 PFT cable jack black	3,0 (+/-0,15)
36	09 45 452 1544	har-port RJ45 IP20 coupler Cat.6 PFT cable jack black	3,5 (+/-0,175)
37	09 45 452 1545	har-port RJ45 IP20 coupler Cat.6 PFT cable jack black	4,0 (+/-0,20)
38	09 45 452 1546	har-port RJ45 IP20 coupler Cat.6 PFT cable jack black	5,0 (+/-0,25)
39	09 45 452 1547	har-port RJ45 IP20 coupler Cat.6 PFT cable jack black	7,5 (+/-0,375)
40	09 45 452 1548	har-port RJ45 IP20 coupler Cat.6 PFT cable jack black	10,0 (+/-0,50)

	All Dimensions in mm Original Size DIN A3	Scale 1:1	Free size tol.	Ref.
	All rights reserved Department EL PD	Created by FARCASIU	Inspected by PRIESTER	Standardisation HOFFMANN
HARTING Electronics GmbH D-32339 Espelkamp		Title har-port RJ45 coupler Cat.6 AWG 27/7		Date 2018-10-12
		Type TB	Number 094545215XX	State Final Release
			Doc-Key / ECM-Nr. 10022229/UGD/002/E 5000014.1187	Page 2/2
			Rev. E	

Mouser Electronics

Authorized Distributor

Click to View Pricing, Inventory, Delivery & Lifecycle Information:

HARTING:

[09454521504](#) [09454521509](#) [09454521510](#) [09454521511](#) [09454521513](#) [09454521516](#) [09454521501](#)
[09454521502](#) [09454521518](#) [09454521539](#) [09454521534](#) [09454521506](#) [09454521517](#) [09454521530](#) [09454521515](#)
[09454521500](#) [09454521540](#) [09454521512](#) [09454521531](#) [09454521532](#) [09454521508](#) [09454521538](#)
[09454521535](#) [09454521541](#) [09454521507](#) [09454521505](#) [09454521543](#) [09454521503](#) [09454521514](#) [09454521546](#)
[09454521542](#) [09454521533](#) [09454521536](#) [09454521544](#) [09454521545](#) [09454521547](#) [09454521548](#)