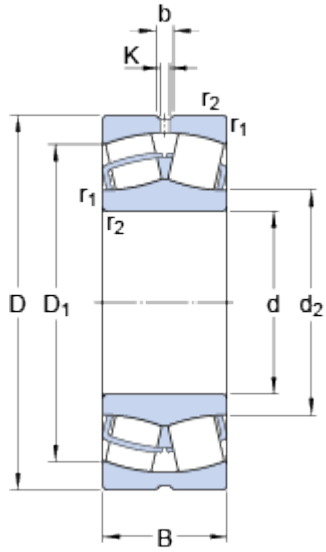


22210 E

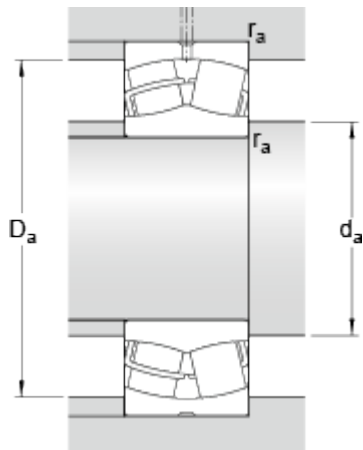
SKF Explorer

Dimensions



d		50	mm
D		90	mm
B		23	mm
d ₂	≈	60	mm
D ₁	≈	79	mm
b		5.5	mm
K		3	mm
r _{1,2}	min.	1.1	mm

Abutment dimensions



d _a	min.	57	mm
D _a	max.	83	mm
r _a	max.	1	mm

Calculation data

Basic dynamic load rating	C	107	kN
Basic static load rating	C ₀	108	kN
Fatigue load limit	P _u	12	kN
Reference speed		7000	r/min
Limiting speed		9500	r/min
Calculation factor	e	0.24	
Calculation factor	Y ₁	2.8	
Calculation factor	Y ₂	4.2	
Calculation factor	Y ₀	2.8	

Mass

