

PLEASE CHECK WWW.MOLEX.COM FOR LATEST PART INFORMATION

Part Number: [0351840400](#)
Status: **Active**
Description: 2.50mm Pitch Wire-to-Wire Plug Housing, Natural, 4 Circuits

Documents:

3D Model	Product Specification PS-35184-001-001 (PDF)
Drawing (PDF)	Packaging Specification PK-35184-001-001 (PDF)
3D Model (PDF)	RoHS Certificate of Compliance (PDF)
Product Specification PS-35053-001-001 (PDF)	

Agency Certification

CSA	LR19980
UL	E29179

General

Product Family	Crimp Housings
Series	35184
Application	Signal, Wire-to-Wire
Product Name	N/A
UPC	800753284623

Physical

Breakaway	No
Circuits (maximum)	4
Color - Resin	Natural
Flammability	94V-0
Gender	Plug
Glow-Wire Capable	No
Keying to Mating Part	None
Lock to Mating Part	Yes
Material - Resin	Nylon
Net Weight	0.741/g
Number of Rows	1
Packaging Type	Bag
Panel Mount	No
Pitch - Mating Interface	2.50mm
Pitch - Termination Interface	2.50mm
Temperature Range - Operating	-40° to +105°C

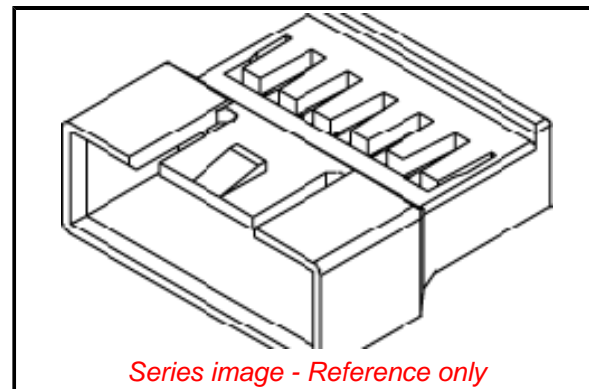
Solder Process Data

Lead-freeProcess Capability	N/A
-----------------------------	-----

Material Info

Reference - Drawing Numbers

Packaging Specification	PK-35184-001-001
Product Specification	PS-35053-001-001, PS-35184-001-001
Sales Drawing	SD-35184-XX0X



EU ELV

Not Relevant

EU RoHS

Compliant

REACH SVHC

Not Contained Per -
ECHA_01_2020 (16
January 2020

Halogen-Free

Status

Low-Halogen

For more information, please visit [Contact US](#)

China ROHS

ELV

RoHS Phthalates

China RoHS

Green Image

Not Relevant

Not Contained

Search Parts in this Series

[35184 Series](#)

Mates With

[35155 Wire-to-Board Housing](#), [35572 Wire-to-Wire and Wire-to-Board Housing](#)

Use With

[35053 Wire-to-Wire Terminal](#)

PLEASE CHECK WWW.MOLEX.COM FOR LATEST PART INFORMATION