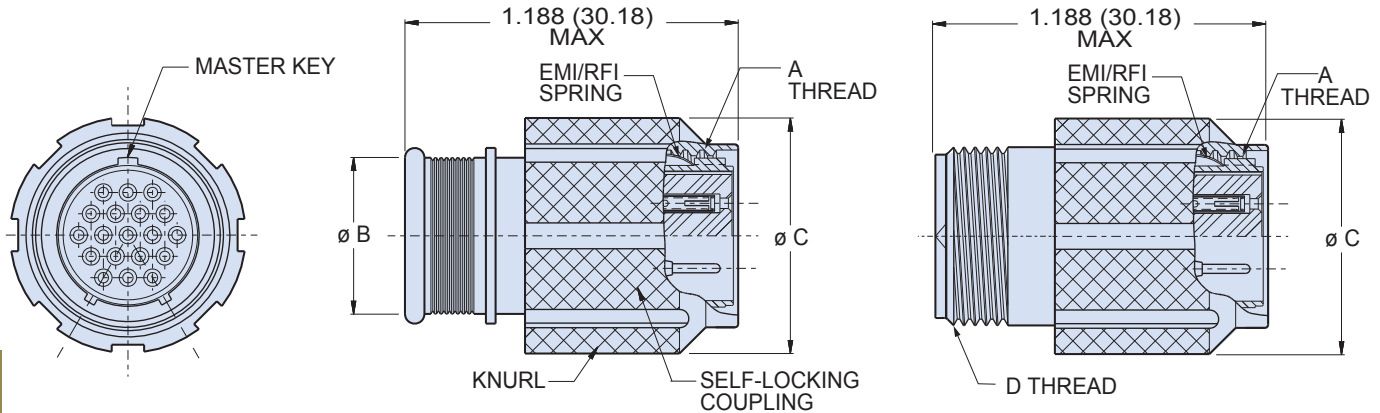




Series 805 Mighty Mouse Triple-Start Plug 805-001-16 and 805-002-16 Dimensions



W

Dimensions						
Shell Size	A Threads	Ø B		Ø C		D Threads Accessory
		In.	mm.	In.	mm.	
8	.5000-1P-3L-TS-2B	.317	8.05	.691	17.55	.3750-32 UNEF-2A
9	.5625-1P-3L-TS-2B	.397	10.08	.787	19.99	.4375-28 UNEF-2A
10	.6250-1P-3L-TS-2B	.473	12.01	.826	20.98	.5000-28 UNEF-2A
11	.6875-1P-3L-TS-2B	.519	13.18	.916	23.27	.5625-24 UNEF-2A
12	.7500-1P-3L-TS-2B	.585	14.86	.982	24.94	.6250-24 UNEF-2A
15	.9375-1P-3L-TS-2B	.687	17.45	1.097	27.86	.7500-20 UNEF-2A
18	1.1250-1P-3L-TS-2B	.884	22.45	1.290	32.77	.9375-20 UNEF-2A
19	1.1875-1P-3L-TS-2B	.884	22.45	1.310	33.27	.9375-20 UNEF-2A
23	1.4375-1P-3L-TS-2B	1.135	28.83	1.562	39.67	1.1875-18 UNEF-2A

Performance Specifications	
Operating Temperature	-55° C. to +150° C.
Immersion, Mated	MIL-STD-810 Method 512. One Meter for One Hour.
EMI	65 dB Minimum from 1 GHz. to 10 GHz.

Materials and Finishes	
Connector Shell	Aluminum or Stainless Steel
Insulator	High grade rigid dielectric
Seals	Fluorosilicone Rubber, Blue
Contact Retainer Clip	Copper alloy, Unplated

Dimensions in Inches (millimeters) are subject to change without notice.