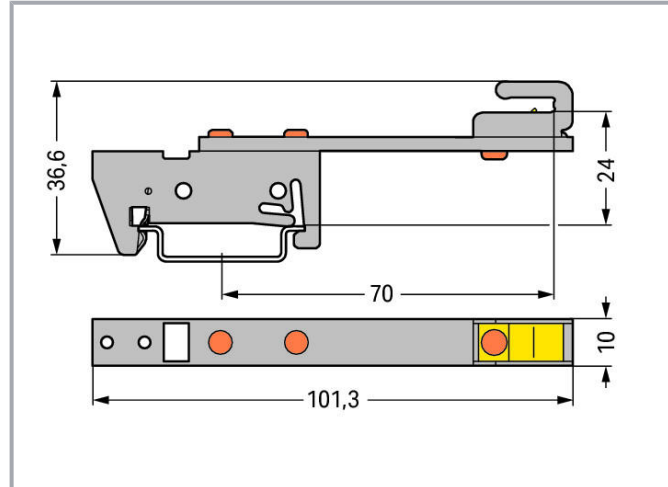


Data sheet | Item number: 790-300

Busbar carrier; for busbars Cu 10 mm x 3 mm; single side, straight; for DIN 35 rail; gray

www.wago.com/790-300



Data

Technical data

Main product function

Shield termination

Material data

Color

gray

Weight

37.5 g

Material

Coated steel
Stainless steel
Cu

Commercial data

Product Group

2 (Terminal Block Accessories)

PU (SPU)

10 Stück

Packaging type

box

Country of origin

DE

GTIN

4045454415891

Customs tariff number

39269097900

Subject to changes. Please also observe the further product documentation!

WAGO GmbH & Co. KG

Hansastr. 27

32423 Minden

Phone: +49571 887-0 | Fax: +49571 887-169

Email: info.de@wago.com | Web: www.wago.com

Do you have any questions about our products?

We are always happy to take your call at +49 (571) 887-44222.

Optional accessories

N-busbar

Mounting accessories

Item no.: 210-133

Busbar; tin-plated; 1000 mm long; Cu 10 mm x 3 mm; white

www.wago.com/210-133

**Item no.: 790-134**

Busbar; tin-plated; 50 mm long; Cu 10 mm x 3 mm

www.wago.com/790-134

Downloads

Documentation

Bid Text

790-300 X81 - Datei	19-Feb-2019	xml 2.8 kB	Download
790-300 doc - Datei	28-Nov-2018	doc 23.6 kB	Download

CAD/CAE-Data

CAD data

2D/3D Models 790-300	URL	Download
----------------------	-----	----------

CAE data

WSCAD Universe 790-300	URL	Download
ZUKEN Portal 790-300	URL	Download

Environmental Product Compliance

Compliance Search

Environmental Product Compliance 790-300 Busbar carrier; for busbars Cu 10 mm x 3 mm; single side, straight; for DIN 35 rail; gray	URL	Download
---	-----	----------

Installation Notes

Subject to changes. Please also observe the further product documentation!

WAGO GmbH & Co. KG
Hansastr. 27
32423 Minden
Phone: +49571 887-0 | Fax: +49571 887-169
Email: info.de@wago.com | Web: www.wago.com

Do you have any questions about our products?
We are always happy to take your call at +49 (571) 887-44222.



To remove the busbar, compress the spring using pliers.

Remove the busbar carrier using an operating tool (type 3, 5.5 x 0.8 mm blade).

Subject to changes. Please also observe the further product documentation!