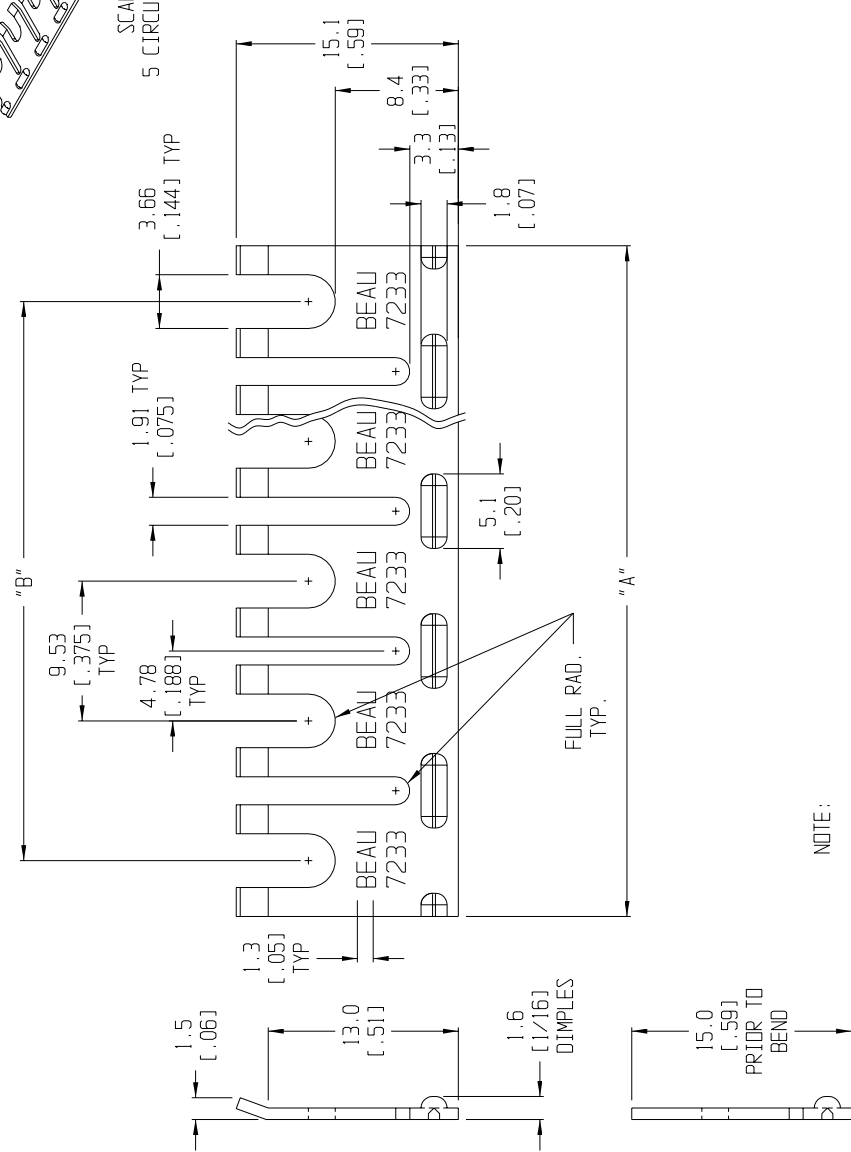


SCALE 1:1
5 CIRCUITS SHOWN



- NOTE:
- "XX" REFERS TO THE NUMBER OF CIRCUITS
 - DIM "A" FOR 11 CIRCUIT LENGTH TO 48 CIRCUIT LENGTH WILL HAVE A TOLERANCE OF +/- .4 FOR 1 PLACE METRIC AND +/- .015 FOR 2 PLACE INCH.

MATERIAL NO. FLAT	MATERIAL NO. (ON EDGE(FORMED))	NUMBER OF CIRCUITS "XX"	DIM "A"	DIM "B"
387236602	387236502	02	17.1 [.68]	9.53 [.375]
387236603	380021284	03	26.7 [1.05]	19.05 [.750]
387236604	380021286	04	36.2 [1.43]	28.58 [1.125]
	380021288	05	45.7 [1.80]	38.10 [1.500]
	387236506	06	55.2 [2.18]	47.63 [1.875]
	380021289	07	64.8 [2.55]	57.15 [2.250]
387236608	380021290	08	74.3 [2.91]	66.68 [2.625]
	380021291	09	83.8 [3.30]	76.20 [3.000]
	387236510	10	93.3 [3.68]	85.73 [3.375]
	387236511	11	102.9 [4.05]	95.25 [3.750]
	387236512	12	112.4 [4.43]	104.78 [4.125]
	387236513	13	121.9 [4.80]	114.30 [4.500]
	387236514	14	131.4 [5.18]	123.83 [4.875]
387236615	387236515	15	141.0 [5.55]	133.35 [5.250]
	387236516	16	150.5 [5.93]	142.88 [5.625]
		17	160.0 [6.30]	152.40 [6.000]
	387236518	18	169.5 [6.68]	161.93 [6.375]
		19	179.1 [7.05]	171.45 [6.750]
387236620	387236520	20	188.6 [7.43]	180.98 [7.125]
		21	198.1 [7.80]	190.50 [7.500]
	387236522	22	207.6 [8.18]	200.03 [7.875]
		23	217.2 [8.55]	209.55 [8.250]
	387236524	24	226.7 [8.93]	219.08 [8.625]
		25	236.2 [9.30]	228.60 [9.000]
		26	245.7 [9.68]	238.13 [9.375]
		27	255.3 [10.05]	247.65 [9.750]
		28	264.8 [10.43]	257.18 [10.125]
		29	274.3 [10.80]	266.70 [10.500]
387236630	387236530	30	283.8 [11.18]	276.23 [10.875]
		31	293.4 [11.55]	285.75 [11.250]
		32	302.9 [11.93]	295.28 [11.625]
		33	312.4 [12.30]	304.80 [12.000]
		34	321.9 [12.68]	314.33 [12.375]
		35	331.5 [13.05]	323.85 [12.750]
		36	341.0 [13.43]	333.38 [13.125]
		37	350.5 [13.80]	342.90 [13.500]
		38	360.0 [14.18]	352.43 [13.875]
		39	369.6 [14.55]	361.95 [14.250]
		40	379.1 [14.93]	371.48 [14.625]
		41	388.6 [15.30]	381.00 [15.000]
		42	398.1 [15.68]	390.53 [15.375]
		43	407.7 [16.05]	400.05 [15.750]
		44	417.2 [16.43]	409.58 [16.125]
		45	426.7 [16.80]	419.10 [16.500]
		46	436.2 [17.18]	428.63 [16.875]
		47	445.8 [17.55]	438.15 [17.250]
		48	455.3 [17.93]	447.68 [17.625]

PROJECT NO. -	-	SHT	REV
DIMENSIONS:	<input type="checkbox"/> mm <input type="checkbox"/> INCH	<input type="checkbox"/> mm <input type="checkbox"/> INCH	<input type="checkbox"/> ONLY
REVISIONS:	<input checked="" type="checkbox"/> INCH <input type="checkbox"/> mm	<input type="checkbox"/> INCH <input type="checkbox"/> mm	<input type="checkbox"/> ONLY
TITLE: JUMPER, TERMINAL			
MATERIAL NO. DRAWING NO. SD-38002-002			
SHEET NO. 1 OF 1			
SIZE B			

SCALE: 3:1	DESIGN UNITS: <input type="checkbox"/> mm <input checked="" type="checkbox"/> INCH	THIRD ANGLE PROJECTION
DRAWN BY & DATE: W. HOWARD 7-30-03	CHECKED BY & DATE:	APPROVED BY & DATE:
CAD FILENAME: 720435	THIS DRAWING CONTAINS INFORMATION THAT IS PROPRIETARY TO MOLEX INCORPORATED AND SHOULD NOT BE USED WITHOUT WRITTEN PERMISSION.	

GENERAL TOLERANCES (UNLESS SPECIFIED):	mm	INCH
4 PLACES	±.0015	±.0015
3 PLACES	±.038	±.005
2 PLACES	±.13	±.01
1 PLACE	±.3	±.01
ANGULAR:	± 1°	
DRAFT WHERE APPLICABLE MUST REMAIN WITHIN DIMENSIONS		

QUALITY SYMBOLS:	DESCRIPTION	REV
MAJOR	RELEASED	A
CRITICAL	WH 7-30-03	
SPEC		
S		

ITEM	QTY.	DESCRIPTION	MATERIAL	FINISH
1	XX	JUMPER, TERMINAL	BRASS	NICKEL PLATING