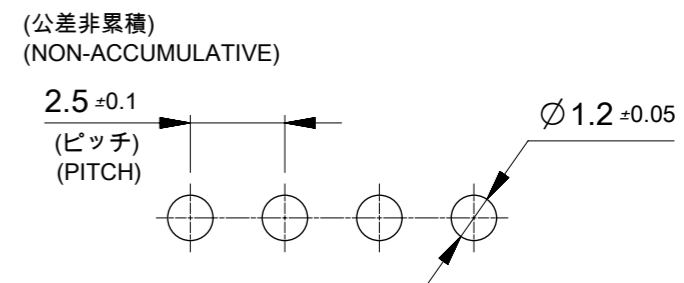
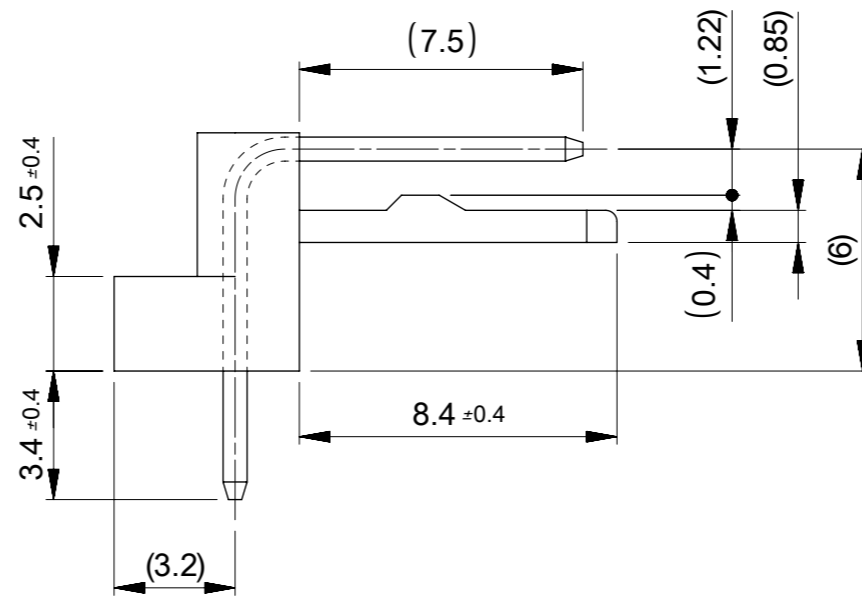
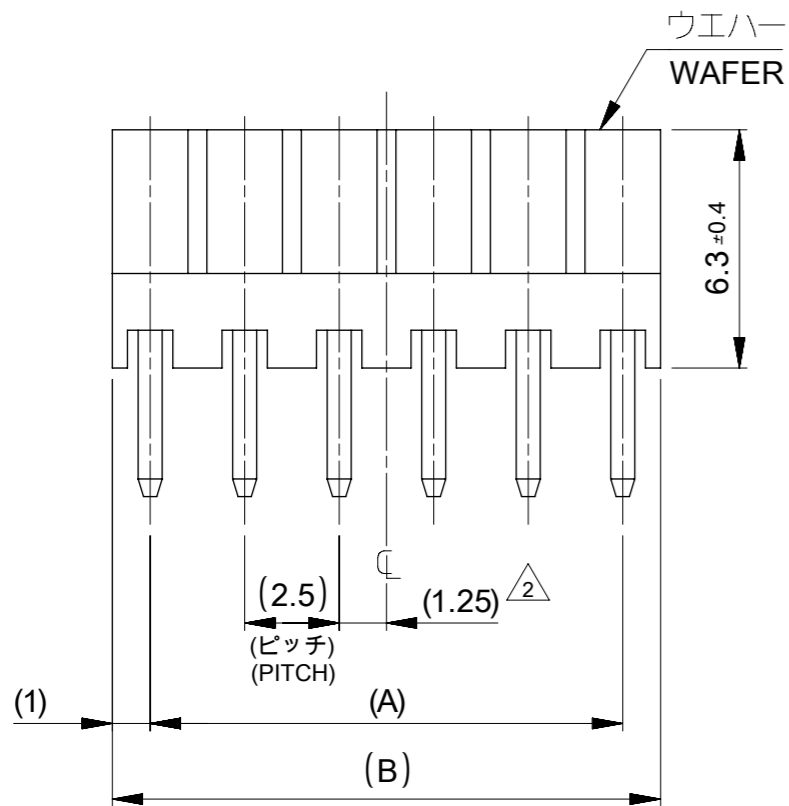


注記
NOTES:

1. 材料(MATERIAL)
 ウェハー : ポリアミド, UL94V-0
 WAFER: POLYAMIDE, UL94V-0
 ピン: □0.635 黄銅
 ニッケル下地: 2micro-meter MIN. 金めっき: 0.35micro-meter MIN.
 PIN: □0.635 BRASS
 NICKEL: 2micro-meter MIN. Au PLATING: 0.35micro-meter MIN.
2. 全極数が偶数の場合のみ適用。
 APPLY FOR EVEN CIRCUITS PRODUCT ONLY.
3. 本図面はSD-5046-NAG REV-Fの再作成図面です。
 THIS DOCUMENT HAS BEEN RE-DRAWING BASED ON SD-5046-NAG, REV-F.



基板取付穴推奨寸法
RECOMMENDED P.W. BOARD HOLE DIM.



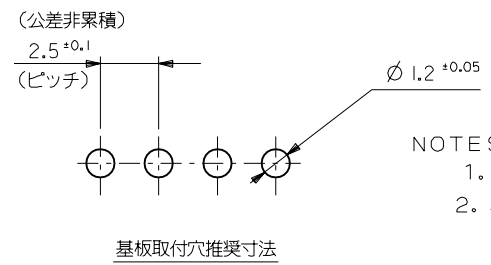
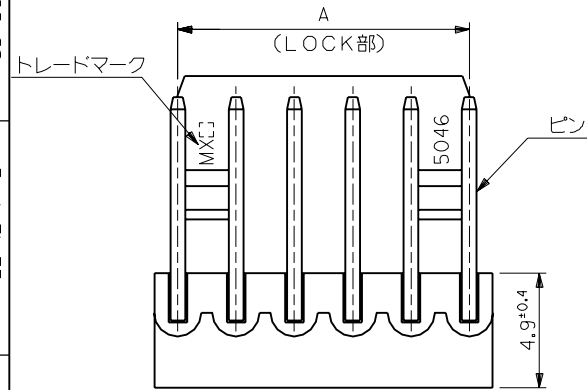
29.5	27.5	22121122	5046-12AG	12
24.5	22.5	22121102	5046-10AG	10
22	20	22121092	5046-09AG	9
19.5	17.5	22121082	5046-08AG	8
17	15	22121072	5046-07AG	7
14.5	12.5	22121062	5046-06AG	6
12	10	22121052	5046-05AG	5
9.5	7.5	22121042	5046-04AG	4
7	5	22121032	5046-03AG	3
4.5	2.5	22121022	5046-02AG	2
(B)	(A)	ORDER NO.	ENG. NO.	CKT.

THIS DRAWING CONTAINS INFORMATION THAT IS PROPRIETARY TO MOLEX ELECTRONIC TECHNOLOGIES, LLC AND SHOULD NOT BE USED WITHOUT WRITTEN PERMISSION

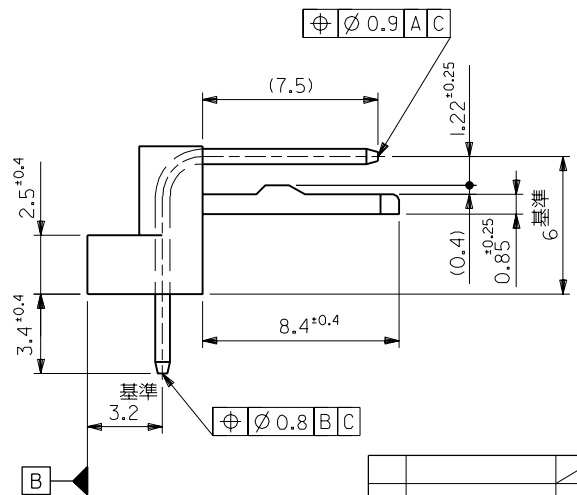
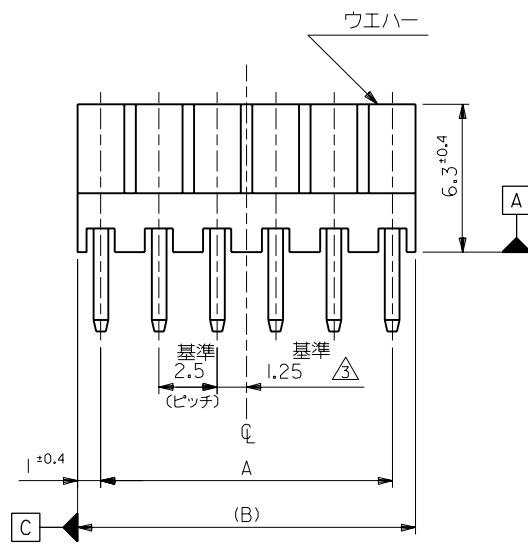
DIMENSION UNITS mm	SCALE 5:1	CURRENT REV DESC: REVISED&REDRAWING					
GENERAL TOLERANCES (UNLESS SPECIFIED)							
ANGULAR TOL	± °				KK 2.5 RIGHT ANGLE WAFER ASS'Y		
4 PLACES	±				PRODUCT CUSTOMER DRAWING		
3 PLACES	±				DOCUMENT NUMBER: 50460001		
2 PLACES	± 0.2	DOC TYPE: PSD					
1 PLACE	± 0.2	DOC PART: 000					
0 PLACES	± 0.2	REVISION: A					
DRAFT WHERE APPLICABLE MUST REMAIN WITHIN DIMENSIONS		THIRD ANGLE PROJECTION	DRAWING: A3-SIZE	SHEET NUMBER: 1 OF 1			

EDP NO. 22-12-1**2
 ENG. NO. SD-5046-NAG

MM DIMENSIONS IN METRIC DO NOT SCALE DRAWING



NOTES:
 1. そり長さは25.4に対して0.2MAX.
 2. 材料
 ウエハー: 66ナイロン, UL94V-0
 ピン: 0.635 黄銅
 ニッケル下地: 2µm MIN.
 金メッキ: 0.35µm MIN.
 △ 全極数が偶数の場合のみ適用



49.5	47.5	22-12-1202	5046-20AG	20
47	45	-1192	-19AG	19
44.5	42.5	-1182	-18AG	18
42	40	-1172	-17AG	17
39.5	37.5	-1162	-16AG	16
37	35	-1152	-15AG	15
34.5	32.5	-1142	-14AG	14
32	30	-1132	-13AG	13
29.5	27.5	-1122	-12AG	12
27	25	-1112	-11AG	11
24.5	22.5	-1102	-10AG	10
22	20	-1092	-09AG	9
19.5	17.5	-1082	-08AG	8
17	15	-1072	-07AG	7
14.5	12.5	-1062	-06AG	6
12	10	-1052	-05AG	5
9.5	7.5	-1042	-04AG	4
7	5	-1032	-03AG	3
4.5	2.5	22-12-1022	5046-02AG	2
(B)	A	EDP NO.	ENG.NO.	極数

角度 ANGLE	±3°	変更及び再作図 (J0040) IN M 記号 LTR 変更内容 DR. 日付 REVISION RECORD CHK. DATE REVISE ONLY ON CAD SYSTEM	材料 MATERIAL	図中参照	MOLEX MOLEX-JAPAN CO.,LTD. 日本モレックス株式会社 EDP. NO. 22-12-1**2 ENG. NO. SD-5046-NAG TITLE 名称 KK2.5 RIGHT ANGLE WAFER ASS'Y REV F
30以上 OVER	+0.3		仕上げ FINISH	—	
10以上 30未満 UNDER	+0.25		適用電線範囲 WIRE RANGE	—	
10未満 UNDER	+0.2		被覆外径 INS. RANGE	—	
一般公差 GENERAL TOLERANCES			DRAWN BY 90/3/23 Y.MIZUNO	CHK'D BY 92/10/21 M.FUKUSHIMA	
		APP'D BY 92/10/21 M.ENOMOTO	尺度 SCALE 5-1		

THIS DRAWING CONTAINS INFORMATION THAT IS PROPRIETARY TO MOLEX(JAPAN) AND SHOULD NOT BE USED WITHOUT WRITTEN PERMISSION
 本図面は日本モレックス(株)の所有する情報を含むもので 当社の許可なく複製を禁止する。

Mouser Electronics

Authorized Distributor

Click to View Pricing, Inventory, Delivery & Lifecycle Information:

[Molex:](#)

[22-12-1022](#)