

GDB SERIES TOUCH-SAFE POWR-BLOKS™

Global Distribution Blocks



Specifications

Voltage Rating	UL: 600 VAC/VDC IEC: 690 VAC/VDC
Ampere Rating	80 – 310 A
Material	Thermoplastic
Connector	Brass: Better continuity, Smaller design
Flammability Rating	UL94 V-0
Approvals	UL Recognized (File: E309688) c-UL Recognized* CE: IEC 60947-7-1
Operating Temperature	-40°C to +90°C
Storage Temperature	-40°C to +100°C
Relative Humidity	50% @ 40°C, 90% @ 20°C
Environmental	RoHS compliant

*GDB60801Z, GDB61151Z, GDB61153Z, GDB61753Z Only

Description

POWR-BLOKS™ Global Distribution Blocks add safety and mounting versatility to our distribution block solutions. The Global Distribution Blocks are approved to UL standards. The Global Distribution Blocks are IP20 finger safe to reduce the risk of contact and eliminate the need for block or panel covers. Installation is quick and easy, all blocks can be mounted on DIN rail or to the panel.

Features/Benefits

- Global part meeting UL standards
- Space saving design
- Integrated touch-safe cover to increase safety
- IP20 protection rating
- Mounts to DIN rail or panels
- Reliable brass connections for excellent continuity in a smaller design

Web Resources

For additional information visit
Littelfuse.com/gdb

Short Circuit Current Ratings

CATALOG/ ORDERING NUMBER	POLES	AMPS	OVERCURRENT PROTECTION FUSE REQUIRED	SCCR IN RMS SYM AMPS
			CLASS J (JTD_ID)	
GDB60801Z	1	80	80	100,000
GDB61151Z	1	115	125	100,000
GDB61153Z	3	115	125	100,000
GDB61601Z	1	160	175	100,000
GDB61753Z	3	175	175	100,000
GDB63101Z	1	310	350	100,000

Ordering Information

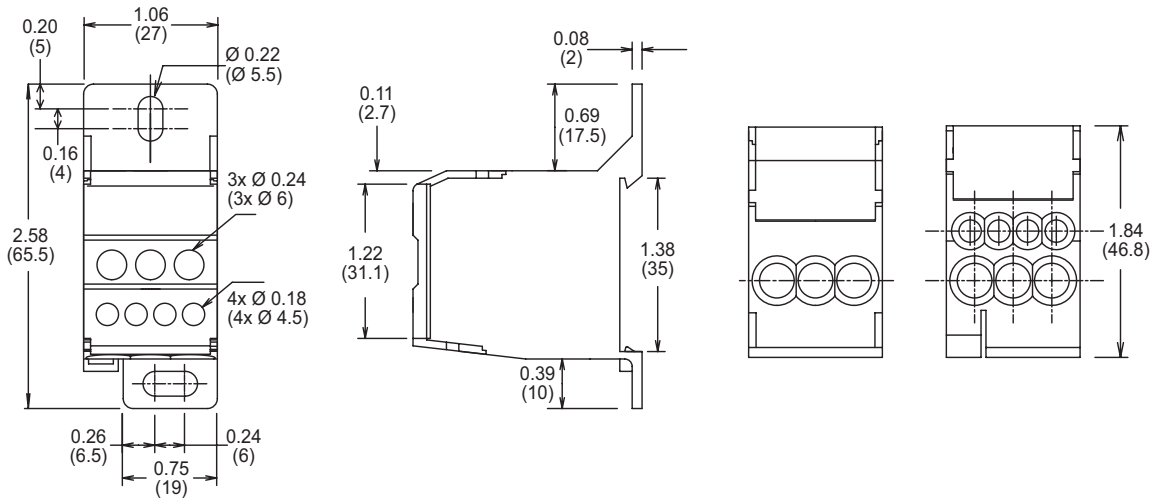
AMP RATING PER POLE		POLES	CATALOG/ ORDERING NUMBER	CONNECTOR MATERIAL	LINE CONNECTION					LOAD CONNECTION					DIN RAIL
UL	IEC				OPENINGS PER POLE	OPENING DIAMETER	WIRE RANGE	TORQUE	SCREW TYPE	OPENINGS PER POLE	OPENING DIAMETER	WIRE RANGE	TORQUE	SCREW TYPE	
80	80	1	GDB60801Z	Brass	1	ø0.28 in (ø7.0 mm)	#8 – #4	13.5 in-lbs (1.5 N-m)	Slotted	6	ø0.28 in (2x ø7.0 mm)	#8 – #4	13.5 in-lbs (1.5 N-m)	Slotted	•
115	125	1	GDB61151Z	Brass	2	ø0.39 in (ø10.0 mm)	#8 – #2	31 in-lbs (3.5 N-m)	Hex 4 mm	6	ø0.28 in (ø7.0 mm)	#10 – #14	17.5 in-lbs (2.0 N-m)	Slotted	•
						ø0.28 in (ø7.0 mm)	#10 – #6	31 in-lbs (3.5 N-m)	Hex 4 mm						
160	160	1	GDB61601Z	Brass	1	ø0.49 in (ø12.5 mm)	#8 – 2/0	35.5 in-lbs (4.0 N-m)	Hex 5 mm	6	ø0.28 in (ø7.0 mm)	#14 – #4	17.5 in-lbs (2.0 N-m)	Slotted	•
310	400	1	GDB63101Z	Brass	1	ø0.75 in (ø19.0 mm)	3/0 – 350 kcmil	230 in-lbs (26.0 N-m)	Hex 8 mm	11	ø0.35 (2x ø9.0 mm)	#14 – #2	34.1 in-lbs (3.9 N-m)	Slotted	•
											ø0.25 in (5x ø6.5 mm)	#14 – #6	19.8 in-lbs (2.2 N-m)		
											ø0.21 (4x ø5.3 mm)	#14 – #8	19.8 in-lbs (2.2 N-m)		
115	115	3	GDB61153Z	Brass	1	ø0.39 in (ø10.0 mm)	#8 – #2	31 in-lbs (3.5 N-m)	Hex 4 mm	6	ø0.25 in (ø6.5 mm)	#14 – #4	17.5 in-lbs (2.0 N-m)	Hex 3	•
175	175	3	GDB61753Z	Brass	1	ø0.47 in (ø12.0 mm)	#8 – 2/0	35.5 in-lbs (4.0 N-m)	Hex 5 mm	6	ø0.25 in (ø6.5 mm)	#14 – #4	17.5 in-lbs (2.0 N-m)	Hex 3	•

GDB SERIES TOUCH-SAFE POWR-BLOKS™

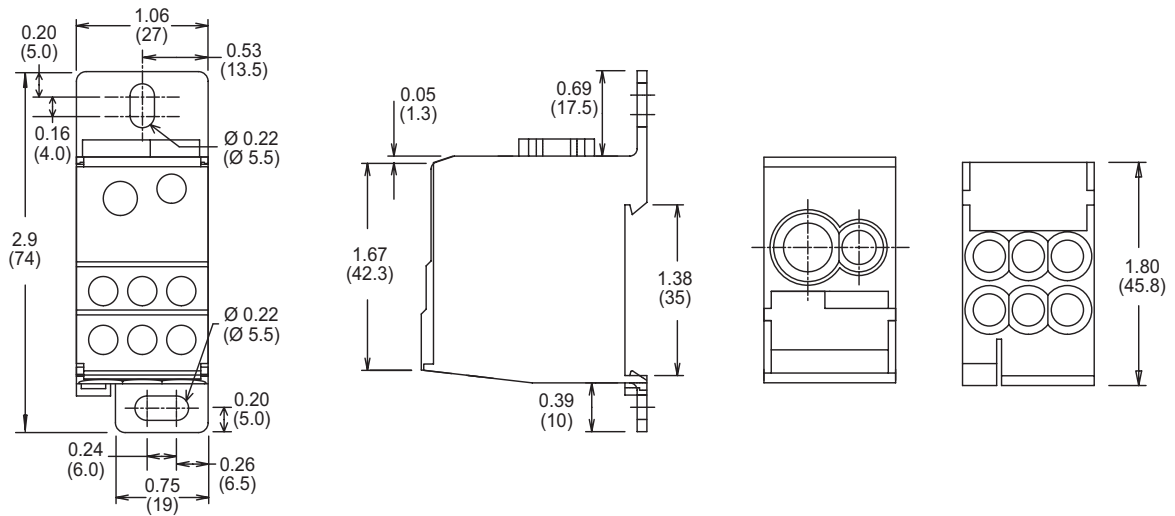
Global Distribution Blocks

Dimensions Inches (mm)

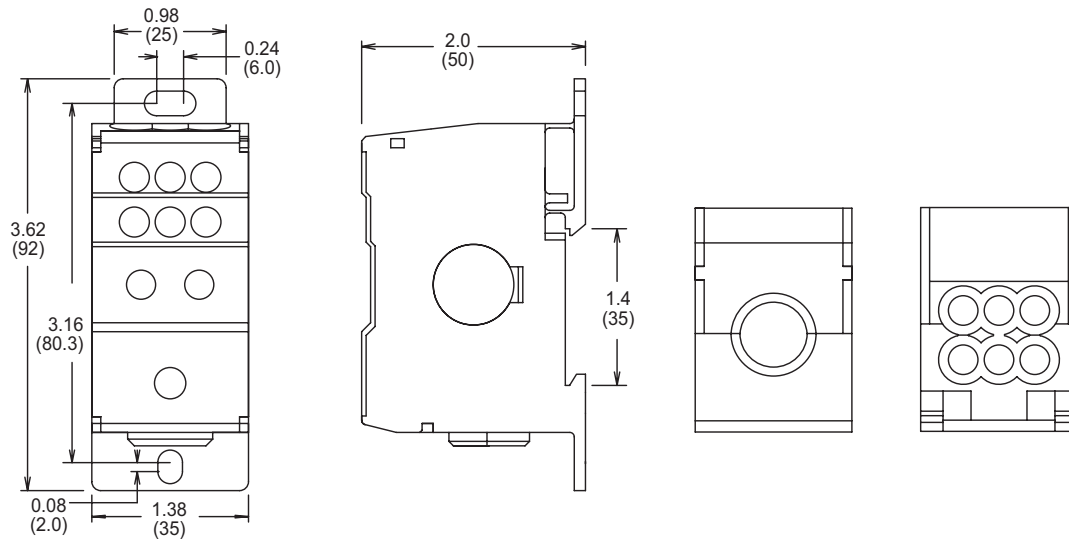
80 A
GDB60801Z



115 A
GDB61151Z



160 A
GDB61601Z

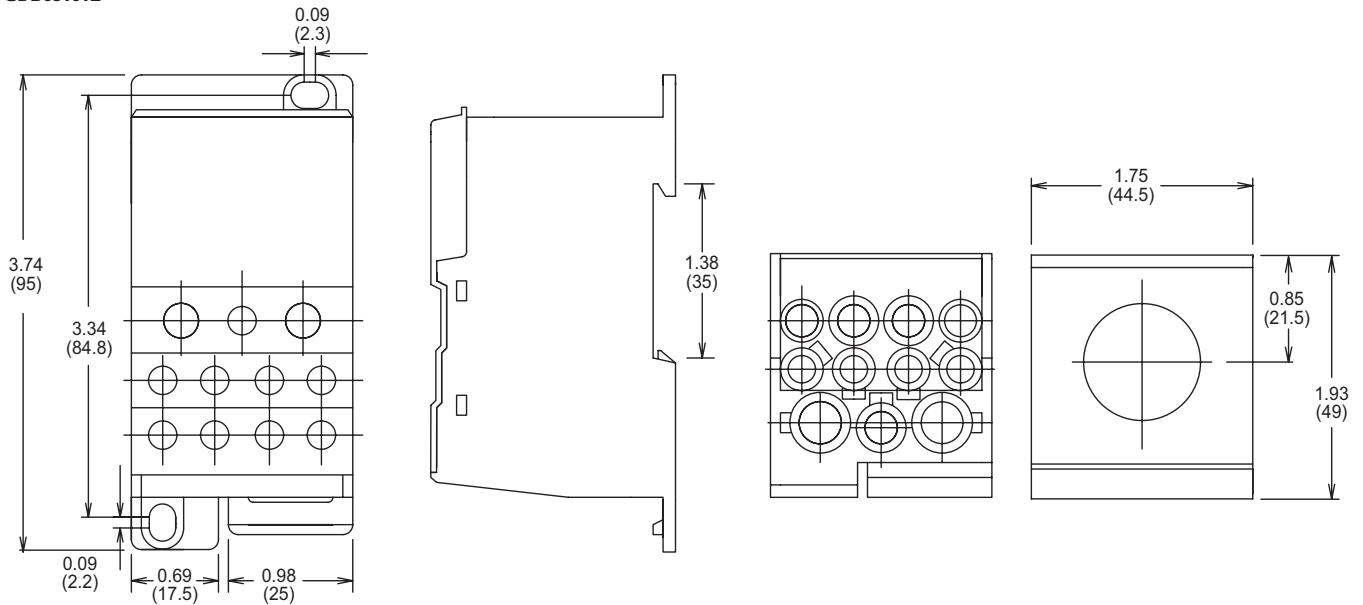


GDB SERIES TOUCH-SAFE POWR-BLOKS™

Global Distribution Blocks

Dimensions Inches (mm)

310 A
GDB63101Z



115 A
GDB61153Z

175 A
GDB61753Z

