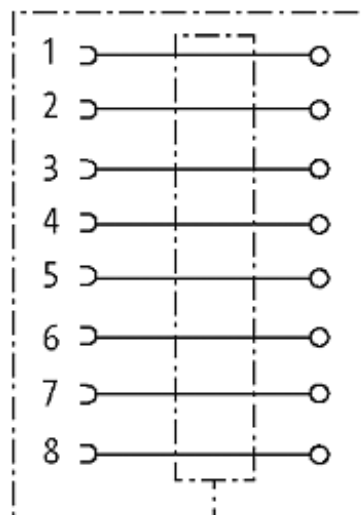
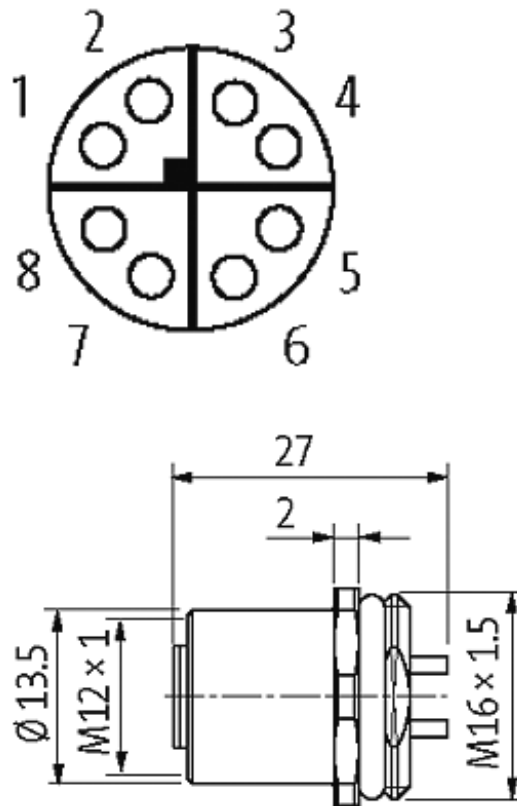


M12 female receptacle X coded rear mount solder

Ethernet CAT6A
Mounting nut
Flange M12 female
8-pole, shielded
Solder connection
Rear mounting

[Link to Product](#)**Illustration**

Female



Product may differ from Image

Form

Form 21161

Technical Data

Operating voltage	max. 50 V AC/60 V DC
Operating current per contact	max. 0.5 A
Transfer parameters	CAT6, class EA (ISO/IEC 11801:2002), (EN 50173-1)
Transfer rate	10 Gbit/s
Locking of ports	Screw thread M12 × 1 mm (recommended torque 0.6 Nm) self-securing
Protection	IP67 inserted and tightened (EN 60529)
Housing	CuZn, nickel plated

General data

Temperature range -40...+85 °C

Commercial data

country of origin	DE
customs tariff number	85369010
minimum order quantity	1