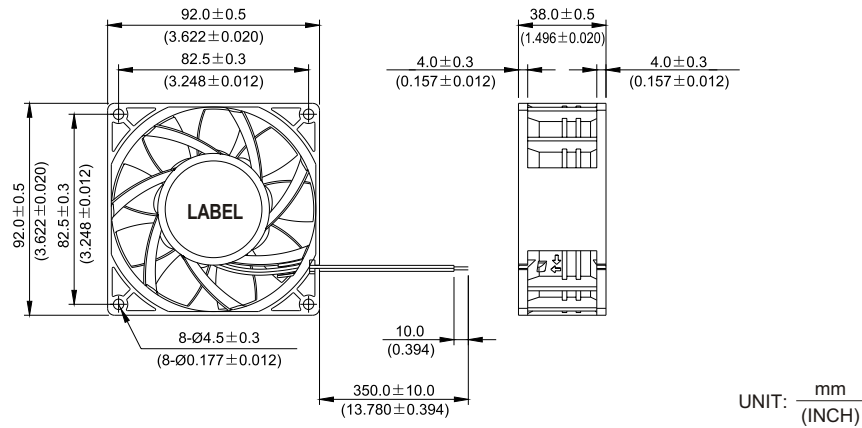


New



PFB 92 x 92 x 38 MM SERIES

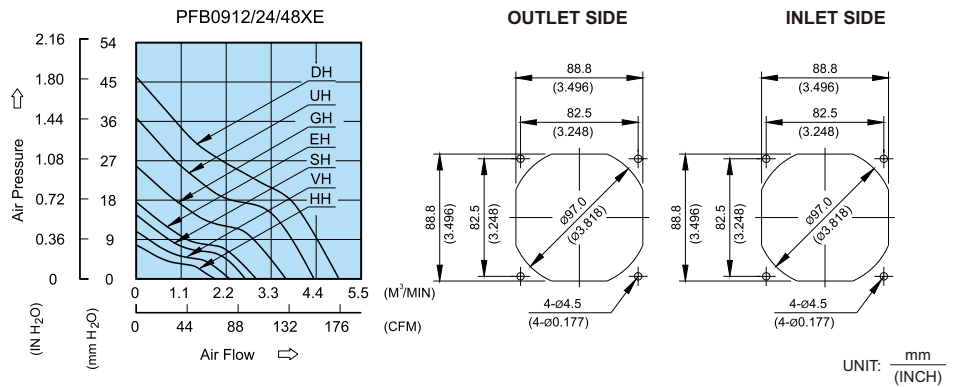
DIMENSIONS DRAWING



- * Bearing Type
Ball Bearings
- * Material
- * Impeller & Frame: Plastic (UL94V-0)
- * Lead Wires :
UL 1007 AWG#24 OR Equivalent
Red Wire Positive (+)
Black Wire Negative (-)
- * Weight : 250g (8.82 oz)

P & Q CURVE (AT RATED VOLTAGE)

MOUNTING PANEL CUTOUT



MODEL		Rated Voltage	Operating Voltage Range	Rated Current	Rated Input Power	Speed	Maximum Air Flow		Maximum Air Pressure		Noise
PART NO.	FUNCTION	VDC	VDC	Amp	Watt	R.P.M.	m ³ /min	CFM	mmH ₂ O	IN H ₂ O	dB-A
PFB0912HHE	-R00 / -F00	12	7.0 to 13.2	0.33	3.96	3200	1.933	68.26	7.76	0.305	43.5
PFB0912VHE	-R00 / -F00	12	7.0 to 13.2	0.38	4.56	3800	2.287	80.77	10.88	0.428	46.2
PFB0912SHE	-R00 / -F00	12	7.0 to 13.2	0.55	6.60	4400	2.668	94.22	14.67	0.578	51.7
PFB0912EHE	-R00 / -F00	12	7.0 to 13.2	0.68	8.16	4800	2.936	103.67	17.56	0.691	54.0
PFB0924EHE	-R00 / -F00	24	14.0 to 26.4	0.33	7.92						
PFB0948EHE	-R00 / -F00	48	28.0 to 56.0	0.21	10.08	6000	3.662	129.31	25.78	1.015	60.5
PFB0912GHE	-R00 / -F00	12	7.0 to 13.2	1.22	14.64						
PFB0924GHE	-R00 / -F00	24	14.0 to 26.4	0.63	15.12	7000	4.347	153.52	36.79	1.449	64.0
PFB0948GHE	-R00 / -F00	48	28.0 to 56.0	0.36	16.80						
PFB0912UHE	-R00 / -F00	12	7.0 to 13.2	1.96	23.52	8000	4.957	175.03	46.21	1.819	66.5
PFB0924UHE	-R00 / -F00	24	14.0 to 26.4	1.02	24.48						
PFB0948UHE	-R00 / -F00	48	28.0 to 56.0	0.60	28.80						
PFB0912DHE	-R00 / -F00	12	7.0 to 13.2	3.10	37.20						
PFB0924DHE	-R00 / -F00	24	14.0 to 26.4	1.45	34.80						

* Function type is optional.
 * The max. air flow and the speed are measured in free air ; max. air pressure is measured at zero air flow.
 * Noise is measured in anechoic chamber in free air, one meter from intake side.
 * All readings are typical values at rated voltage.
 * Specifications are subject to change without notice.

Mouser Electronics

Authorized Distributor

Click to View Pricing, Inventory, Delivery & Lifecycle Information:

Delta Electronics:

[PFB0948GHE-F00](#) [PFB0948EHE](#) [PFB0912VHE-R00](#) [PFB0912VHE-F00](#) [PFB0948UHE-R00](#) [PFB0912VHE](#)
[PFB0912EHE-F00](#) [PFB0912EHE-R00](#) [PFB0948UHE](#) [PFB0948EHE-R00](#) [PFB0924EHE-R00](#) [PFB0924GHE-R00](#)
[PFB0924GHE-F00](#) [PFB0912SHE-F00](#) [PFB0924UHE](#) [PFB0912SHE-R00](#) [PFB0948GHE-R00](#) [PFB0924UHE-F00](#)
[PFB0924EHE-F00](#) [PFB0912EHE](#) [PFB0912UHE-F00](#) [PFB0924DHE-F00](#) [PFB0948EHE-F00](#) [PFB0912HHE-R00](#)
[PFB0924UHE-R00](#) [PFB0924DHE-R00](#) [PFB0912HHE](#) [PFB0912SHE](#) [PFB0912UHE](#) [PFB0912GHE-R00](#)
[PFB0912HHE-F00](#) [PFB0912DHE-R00](#) [PFB0924GHE](#) [PFB0948UHE-F00](#) [PFB0912GHE-F00](#) [PFB0924DHE](#)
[PFB0948UHE-TP16](#) [PFB0912GHE](#) [PFB0924EHE](#) [PFB0912UHE-R00](#) [PFB0948GHE](#)