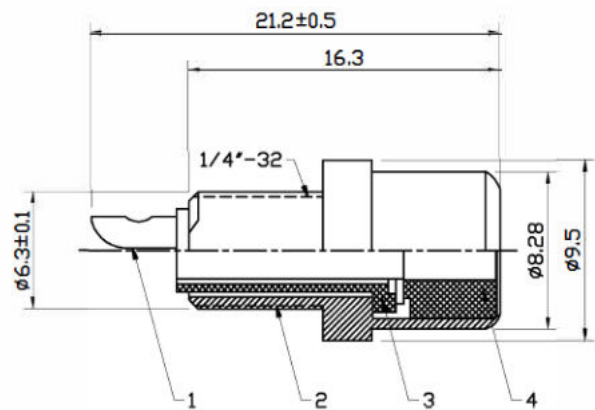
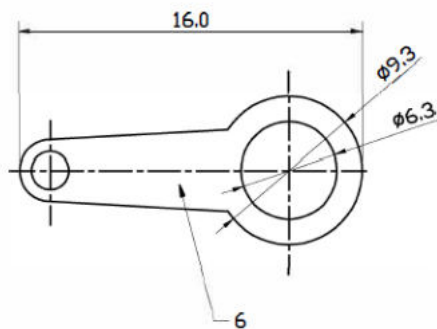
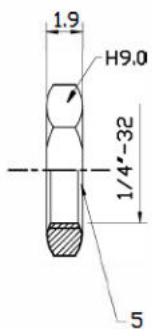


RCA Socket



Specification

Specification	Material	Finnish	Q'ty
Pin(1)	Brass	Nickel	1
Ontology(2)	Brass	Nickel	1
Insulator(3)	POM	White	1
Insulator(4)	POM	White	1
Nut(5)	Brass	Nickel	1
Lug(6)	Brass	Nickel	1



Art. Nr.
RND 205-00991