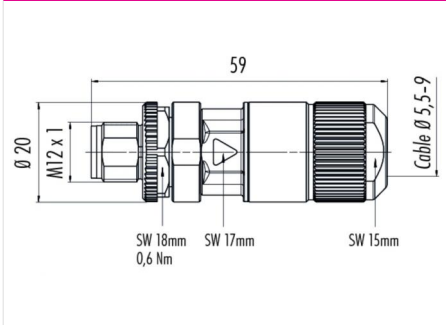


Product description	Contacts: 8, male cable connector with X-coding, CAT 6A, insulation displacement connection, shieldable
Area	M12-D, M12-X Series 825 X-coding
Order number	99 3787 810 08

Illustration



Scale drawing



Contact arrangement

	X	Y	
1	1,40	-2,80	1 weiß-orange/white-orange
2	2,80	-1,40	2 orange/orange
3	2,80	1,40	3 weiß-grün/white-green
4	1,40	2,80	4 grün/green
5	-1,40	2,80	5 weiß-braun/white-brown
6	-2,80	1,40	6 braun/brown
7	-2,80	-1,40	7 weiß-blau/white-blue
8	-1,40	-2,80	8 blau/blue

Schirm auf Gehäuse shield on housing

You can find the component part drawing and assembly instructions on the next page.

Technical data

General values

Connector design	cable connector
Connector locking system	bolted
Termination	cutting clamp
Wire gauge (AWG)	27 - 22
Cable outlet	5,5 - 9,0 mm
Upper limit temperature	85 °C
Lower limit temperature category	-40 °C
Customs tariff number	CAT 6A
	85366990

Electrical values

Rated current (40 °C)	0,5 A
Rated voltage	50V AC, 60V DC V
Rated impulse voltage	800 V
Pollution degree	3
Overvoltage category	II
Insulating material group	II
Volume resistivity	≤ 10 mΩ
EMC compliance	shieldable
Degree of protection	IP67
Mechanical operation	> 100 Mating cycles

Material

Contact material	CuSn (bronze)
Contact plating	Au (gold)
Contact body material	PA
Housing material	Zinc die-cast nickel-plated

Product description

Contacts: 8, male cable connector with X-coding, CAT 6A, insulation displacement connection, shieldable

Area

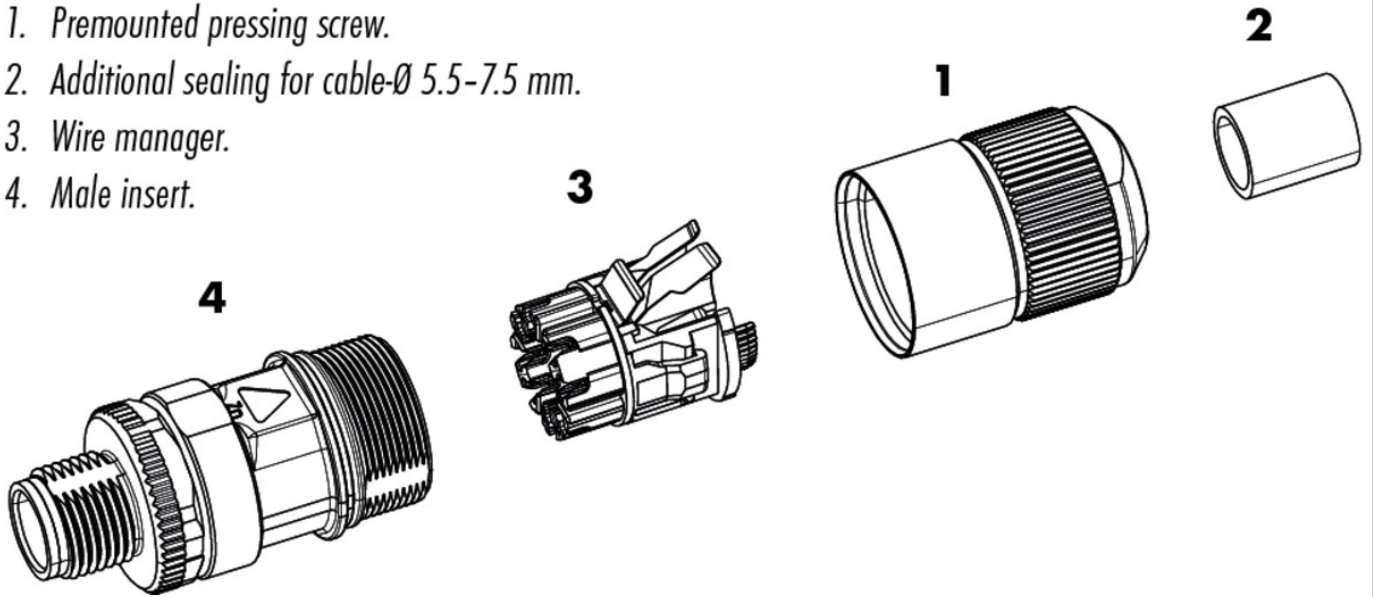
M12-D, M12-X Series 825 X-coding

Order number

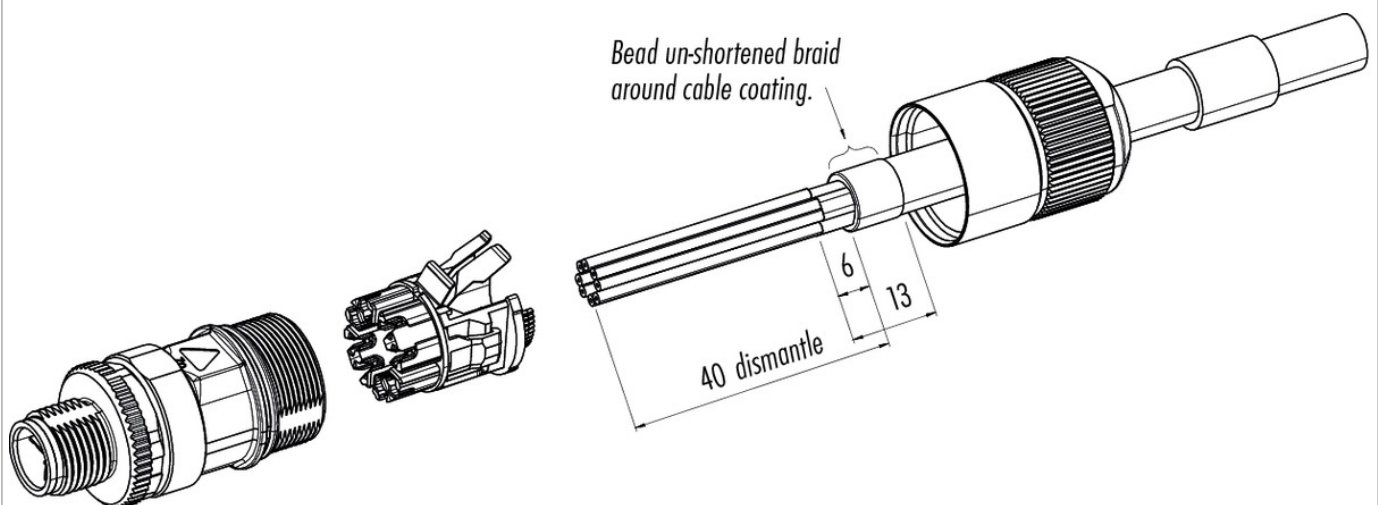
99 3787 810 08

Component part drawing

1. Premounted pressing screw.
2. Additional sealing for cable-Ø 5.5-7.5 mm.
3. Wire manager.
4. Male insert.



Assembly instructions / Panel cut-out



Product description

Contacts: 8, male cable connector with X-coding, CAT 6A, insulation displacement connection, shieldable

Area

M12-D, M12-X Series 825 X-coding

Order number

99 3787 810 08

Security notices

The connectors are designed for use in plant, control system and electrical equipment. The end user is responsible for checking whether the connectors are suitable for use in other applications.

Connectors used in electrical circuits containing hazardous life parts must only be assembled and used by or under the supervision of persons with the requisite electrotechnical training, taking the applicable regulations and standards into account.

Connectors with degree of protection IP 67 and IP 68 are not suitable for use under water. When used outdoors, the connectors must be separately protected against corrosion. For further information about IP degrees of protection refer to 'Technical support' in the Download Centre.

To lock the cable connector to the equipment connector, the threaded ring is tightened until it is 'finger-tight' (approx. 50 cNm).