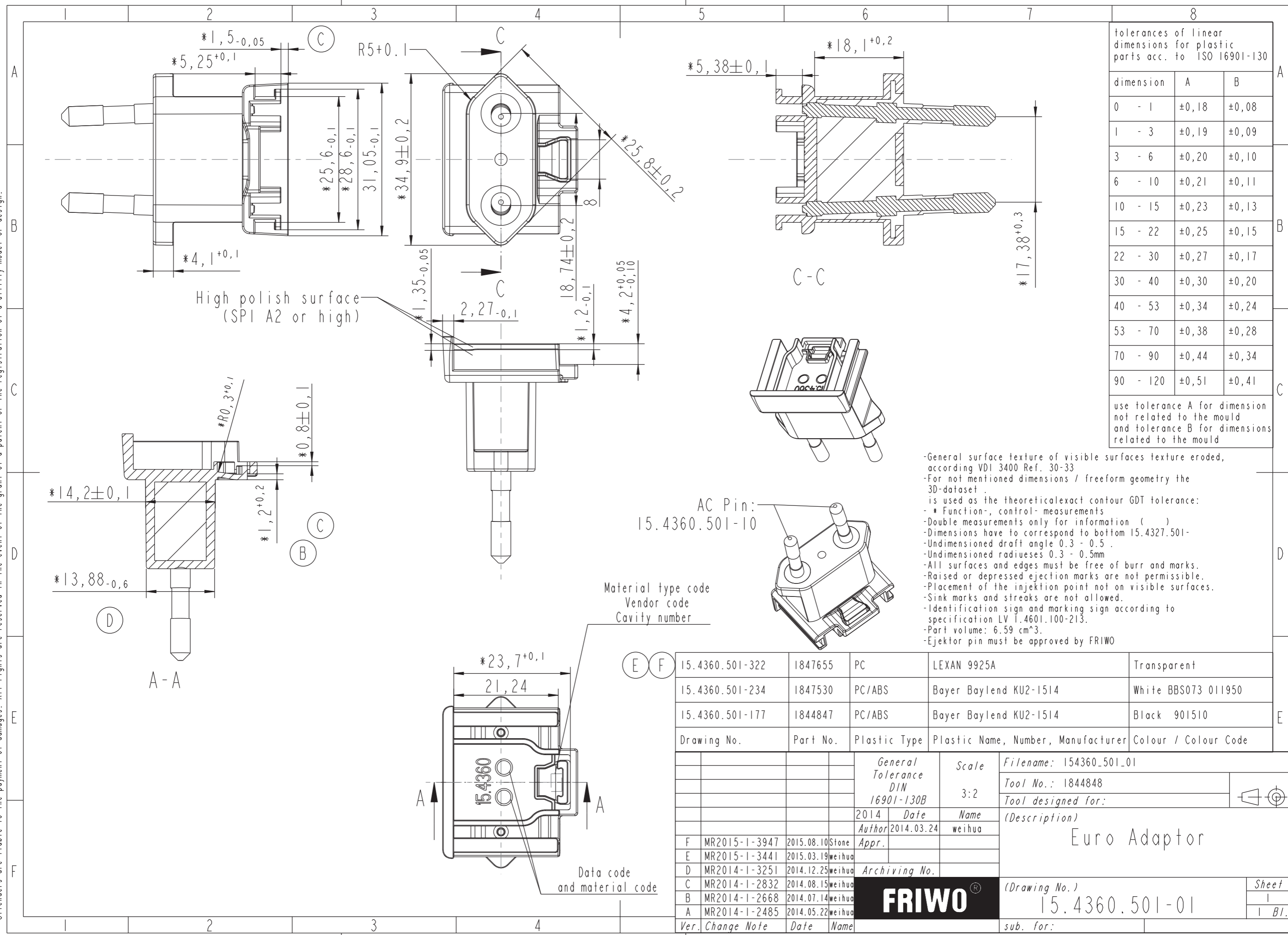


Copying of this document, and giving it to others and the use or communication of the contents thereof, are forbidden without express authority. Offenders are liable to the payment of damages. All rights are reserved in the event of the grant of a patent or the registration of a utility model or design.

tolerances of linear dimensions for plastic parts acc. to ISO 16901-130		
dimension	A	B
0 - 1	±0,18	±0,08
1 - 3	±0,19	±0,09
3 - 6	±0,20	±0,10
6 - 10	±0,21	±0,11
10 - 15	±0,23	±0,13
15 - 22	±0,25	±0,15
22 - 30	±0,27	±0,17
30 - 40	±0,30	±0,20
40 - 53	±0,34	±0,24
53 - 70	±0,38	±0,28
70 - 90	±0,44	±0,34
90 - 120	±0,51	±0,41

use tolerance A for dimension not related to the mould and tolerance B for dimensions related to the mould

- General surface texture of visible surfaces texture eroded, according VDI 3400 Ref. 30-33
- For not mentioned dimensions / freeform geometry the 3D-dataset is used as the theoretical exact contour GDT tolerance:
- * Function-, control- measurements
- Double measurements only for information ()
- Dimensions have to correspond to bottom 15.4327.501-
- Undimensioned draft angle 0.3 - 0.5 .
- Undimensioned radiuses 0.3 - 0.5mm
- All surfaces and edges must be free of burr and marks.
- Raised or depressed ejection marks are not permissible.
- Placement of the injection point not on visible surfaces.
- Sink marks and streaks are not allowed.
- Identification sign and marking sign according to specification LV 1.4601.100-213.
- Part volume: 6.59 cm³.
- Ejektor pin must be approved by FRIWO



Drawing No.	Part No.	Plastic Type	Plastic Name, Number, Manufacturer	Colour / Colour Code	
	15.4360.501-322	1847655	PC	LEXAN 9925A	Transparent
	15.4360.501-234	1847530	PC/ABS	Bayer Baylend KU2-1514	White BBS073 011950
	15.4360.501-177	1844847	PC/ABS	Bayer Baylend KU2-1514	Black 901510

General Tolerance DIN 16901-130B		Scale 3:2	Filename: 154360_501_01
2014 Date		Name weihua	Tool No.: 1844848
Author	2014.03.24		Tool designed for: (Description)
Appr.			Euro Adaptor
F	MR2015-1-3947	2015.08.10	Stone
E	MR2015-1-3441	2015.03.19	weihua
D	MR2014-1-3251	2014.12.25	weihua
C	MR2014-1-2832	2014.08.15	weihua
B	MR2014-1-2668	2014.07.14	weihua
A	MR2014-1-2485	2014.05.22	weihua

Ver.	Change Note	Date	Name	FRIWO [®] (Drawing No.) 15.4360.501-01	Sheet
					I
sub. for:					I Bl.