

# FS-200E 2.0 - 30 (l/min) with pre-adjusted set points

## FS-200E-A 3.0 - 57 (l/min) adjustable set points

The FS-200E flow switch offers accurate flow detection with 1% repeatability and European G1" port size. The durable construction delivers long life repeatability in either water or oil. The design of large flow paths keep pressure drop low, thus are ideal for detection of flow in high volume lubrication, cooling or process applications. The FS-200E Adjustable versions offer the same accuracy with the additional feature of external adjustment.

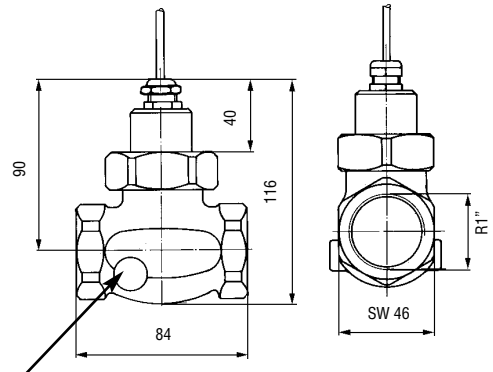


Adjustment vane on FS-200E-A

### Specifications (All pressure data related to water at +20°C)

<b>Max. flow</b>	85 l/min
<b>Max. operating pressure</b>	27 bar
<b>Proof pressure</b>	45 bar
<b>Temperature range</b>	- 20 °C...+80 °C (cable, plug connector) - 20 °C...+150 °C (terminal box)
<b>Set points</b>	see order number
<b>Switching function (related to increasing flow)</b>	SPDT
<b>Factory mounting position with set point adjustments</b>	horizontal, electrical connection up
<b>Mounting position</b>	any position
<b>Repeatability</b>	± 1%
<b>Adjustment accuracy</b>	±10%
<b>Hysteresis</b>	max. 15%
<b>Mounting</b>	G1"
<b>Electrical connections</b>	- cable: PVC, 3 x 0.34 mm <sup>2</sup> (length: approx. 1 m) - plug connector per DIN 43650 - terminal box
<b>Enclosure</b>	- IP65
<b>Electrical data contact rating</b>	20 VA, 0.5 A, 250 V~
<b>Weight</b>	approx. 1.2 kg

### Dimensions (in mm)



Adjustment vane on FS-200E-A

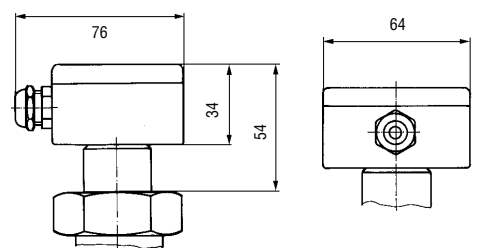
- Housing: Bronze
- Disc: Stainless Steel
- Spring: Stainless Steel
- O-Ring: Viton®
- Magnet: PTFE/Ceramic

FLOW SWITCHES

### Order numbers for FS-200E

Set points (l/min)	Cable	Terminal box	Plug connector
2.0	020-2393	020-2401	020-3481
4.0	020-2394	020-2402	020-3482
7.5	020-2395	020-2403	020-3483
11.5	020-2396	020-2404	020-3484
15.0	020-2397	020-2405	020-3485
19.0	020-2398	020-2406	020-3486
22.5	020-2399	020-2407	020-3487
30.0	020-2400	020-2408	020-3488

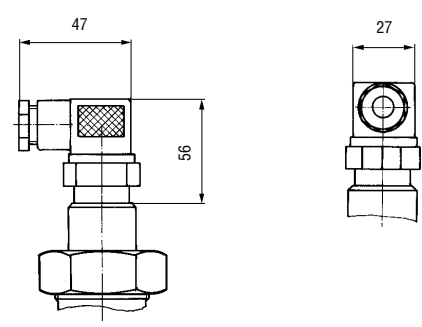
### Terminal box



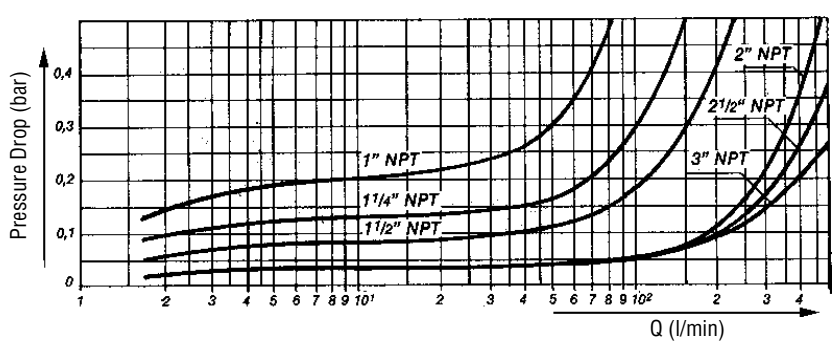
### Order numbers for FS-200E-A

Adjustment range (l/min)	Cable	Terminal box	Plug connector
3.0 ... 22.5	020-2413	020-2416	020-3489
7.5 ... 30.0	020-2415	020-2418	020-3491
19.0 ... 57.0	020-2414	020-2417	020-3490

### Plug connector



### Pressure drop diagram (at min. set point adjustment)



### Wiring diagram

