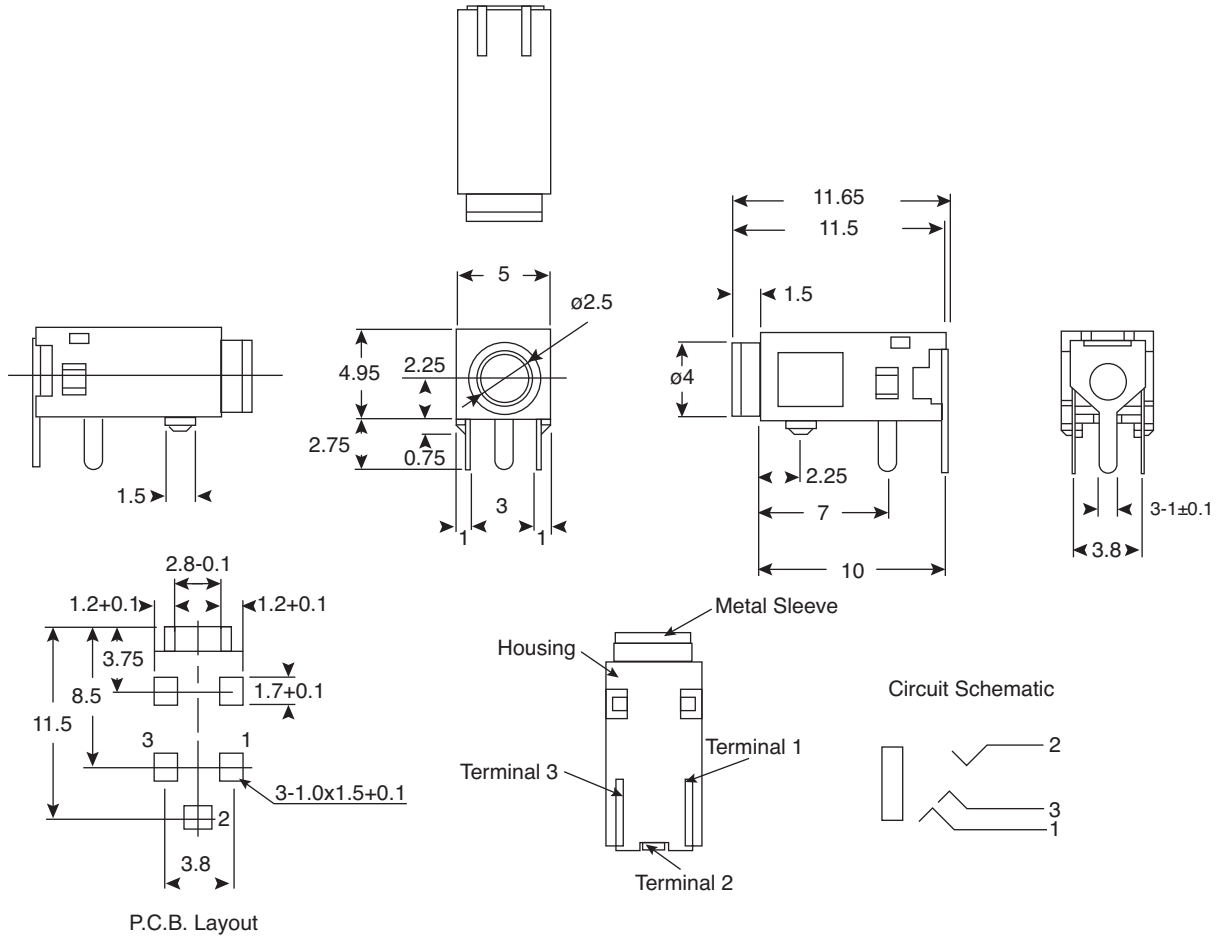


# 2.5mm Stereo Jack

161-348A0-EX



2.5mm Stereo Jack



Dimensions: mm

MATERIAL SPECIFICATIONS	
<b>Metal Sleeve:</b>	Brass Nickel Plated
<b>Housing:</b>	PBT-G15%
<b>Terminal R:</b>	FAB t=0.2 Sn-Pb
<b>Terminal T:</b>	FAB t=0.3 Sn-Pb
<b>Terminal S:</b>	FAB t=0.2 Sn-Pb
<b>RoHS Compliant by Exemption</b>	

ELECTRICAL SPECIFICATIONS	
<b>Dielectric Strength:</b>	500VAC for one min.
<b>Insulation Resistance:</b>	100M $\Omega$ min. @100VDC
<b>Contact Resistance:</b>	50m $\Omega$ Max

Date Last Revised: 11/17/08

Available from Mouser Electronics  
1-800-346-6873 / [www.mouser.com](http://www.mouser.com)

KC-301254

Specifications are subject to change without notice. No liability or warranty implied by this information. Environmental compliance based on producer documentation.

161-348A0-EX

# Mouser Electronics

Authorized Distributor

Click to View Pricing, Inventory, Delivery & Lifecycle Information:

[Kobiconn:](#)

[161-348A0-EX](#)