

STACKABLE PLUG

PRODUCT SPECIFICATION

Sheet No. **PS 0269**

Date : 23.11.94

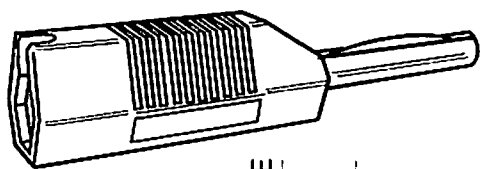
Issue No. 5 (08.11.95)

Sheet 1 of 1

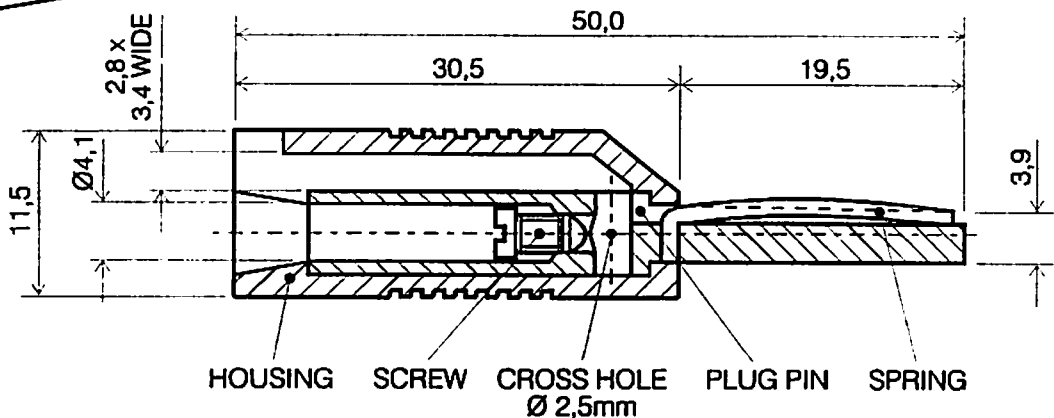
Signature

Deltron Part No. **553 SERIES**

Dimensions



DIMENSIONS IN MILLIMETRES



Description

A 4mm plug at the front and 4mm socket at the rear provides a reliable in-line stacking facility. The lead wire is clamped securely in position by the screw located inside the plug. The pliable PVC housing comes in various colours (see below).

COLOUR	ORDER CODE
Black	553-0100
Blue	553-0200
Brown	553-0300
Green	553-0400
Red	553-0500
White	553-0600
Yellow	553-0700

Features

MATERIALS

HOUSING	: PVC C36/20
SCREW	: Brass, bright nickel plated
PLUG PIN	: Brass, bright nickel plated
SPRING	: Spring Steel

RATING : 10 Amps

Mouser Electronics

Authorized Distributor

Click to View Pricing, Inventory, Delivery & Lifecycle Information:

[Deltron:](#)

[553-0600](#) [553-0700](#)