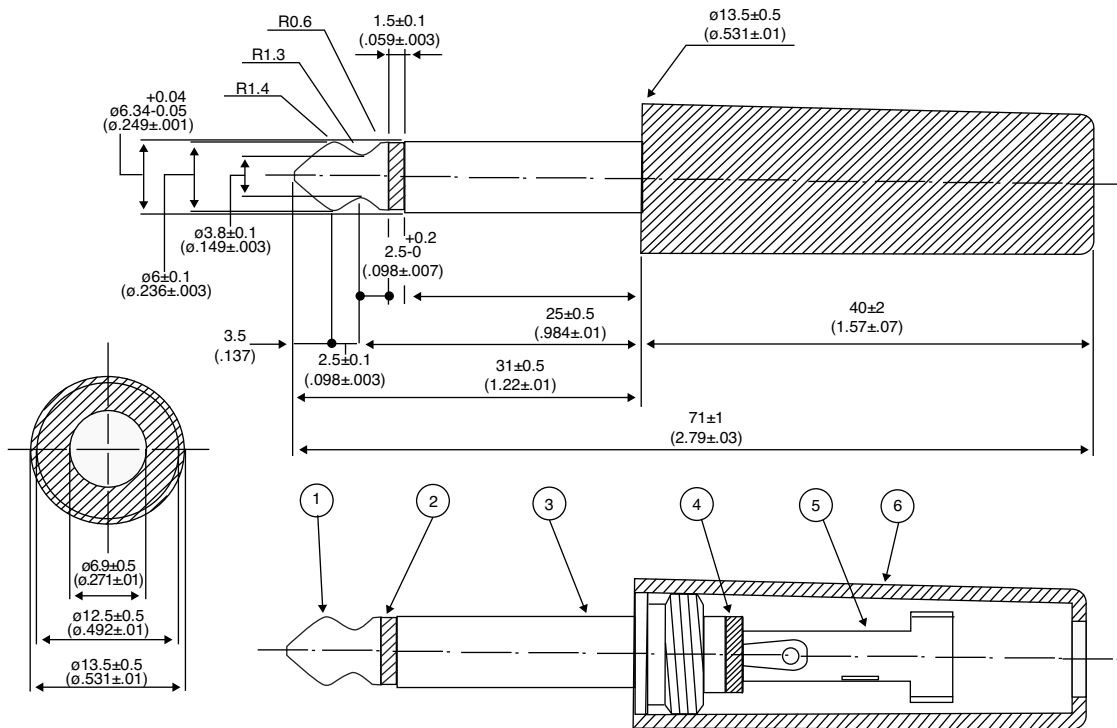


1/4" Phone Plug Mono

171-PA61111-1-E



1/4" Phone Plug Mono



Dimensions: mm (in.)

MATERIAL SPECIFICATIONS		
1	Brass	Nickel
2	A.B.S.	Black
3	Brass	Nickel
4	A.B.S.	Black
5	Brass	Nickel
6	A.B.S.	Black
RoHS Compliant by Exemption		

171-PA61111-1-E

Date Last Revised: 06/08/09

Available from Mouser Electronics
1-800-346-6873 / www.mouser.com

KC-301342

Specifications are subject to change without notice. No liability or warranty implied by this information. Environmental compliance based on producer documentation.

Mouser Electronics

Authorized Distributor

Click to View Pricing, Inventory, Delivery & Lifecycle Information:

[Kobiconn:](#)

[171-PA61111-1-E](#)