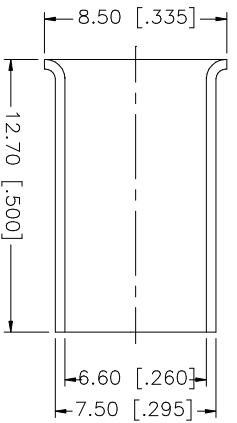
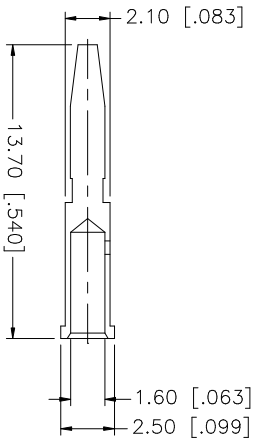
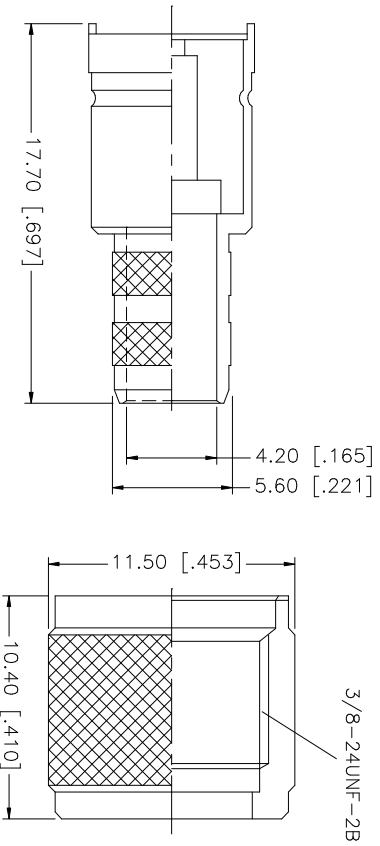
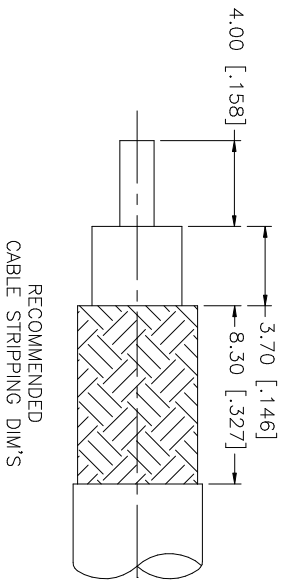


REV.	DATE	DESCRIPTION
NC	08/27/98	INITIAL RELEASE
A	04/12/06	UPDATE DRAWING FORMAT



8																			
7																			
6																			
5																			
4	FERRULE	BRASS	NICKEL	1															
3	CONTACT PIN	BRASS	GOLD	1															
2	INSULATOR	TEFLON	NATURAL	1															
1	BODY	BRASS	NICKEL	1															
	DESCRIPTION	MATERIAL	FINISH	QTY															
					UNLESS OTHERWISE SPECIFIED DIMENSIONS ARE IN MILLIMETERS. DIMENSIONS IN [ ] ARE IN INCHES AND FOR CUSTOMER REFERENCE ONLY. UNLESS OTHERWISE SPECIFIED TOLERANCES FOR MILLIMETERS ARE: 0.5 - 8mm ± 0.20mm 8 - 30mm ± 0.40mm 30 - 120mm ± 0.50mm UNLESS OTHERWISE SPECIFIED TOLERANCES FOR INCHES ARE: .020 - .315 = ± 0.007" .315 - 1.180 = ± 0.015" 1.180 - 4.724 = ± 0.020"					DO NOT SCALE DRAWING					APPROVALS DRAWN G.R.S. DATE 04/12/06 CHECKED ISSUED SHEET 1 OF 1				
					<b>Amphenol Connex</b> MINI-UHF CRIMP PLUG (FOR RG-8/X, LMR-240 CABLE)					CAD FILE C:/182/182302.DWG DWG. NO. 182302.DWG REV. A SIZE A SCALE NA									

# Mouser Electronics

Authorized Distributor

Click to View Pricing, Inventory, Delivery & Lifecycle Information:

[Amphenol:](#)

[182302](#)